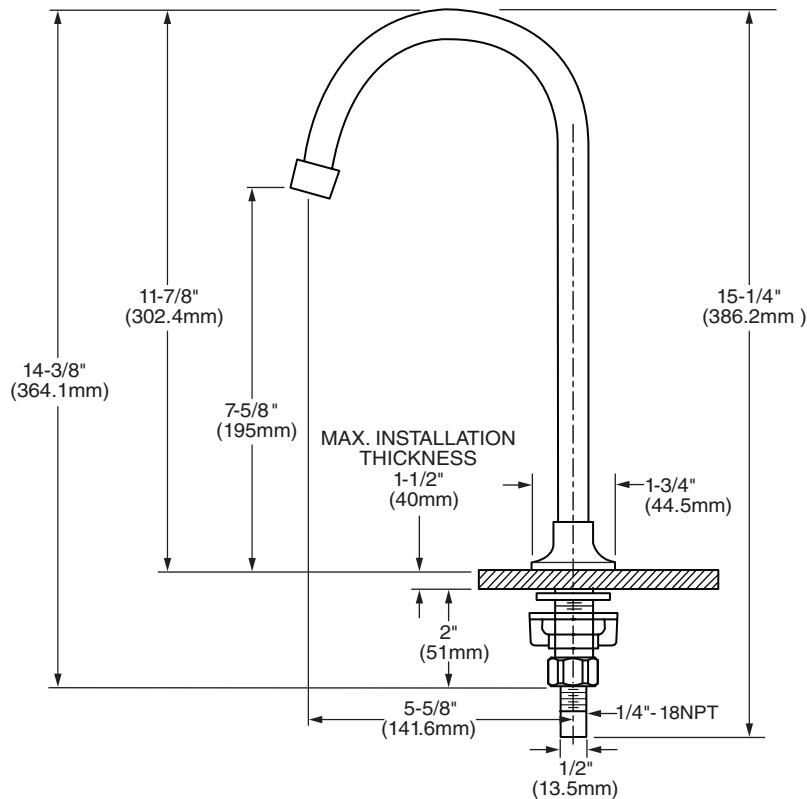


MODEL NUMBER:

- ☐ **7522.155 Gooseneck Spout**
Tubular brass gooseneck spout with 2.2 gpm aerator



GENERAL DESCRIPTION:

Tubular brass gooseneck spout. Reach: 5-5/8", Overall Height: 11-7/8", Height to Aerator: 7-5/8". Deck mounted. Chrome finish. 2.2 gpm/8.3 L/min maximum flow rate.

PRODUCT FEATURES:

Brass Construction: Durable - excellent in high use applications.

Polished Chrome Finish: Excellent in commercial applications.

SUGGESTED SPECIFICATION

Tubular brass gooseneck spout. Reach: 5-5/8", Height to Aerator: 7-5/8". Shall feature Polished Chrome finish. Shall feature 2.2 gpm/ 8.3 L/min aerator. Fitting shall be American Standard Model# 7522.105.