

VORMAX PLUS™ UHET RIGHT HEIGHT® ELONGATED TOILET WITH SEAT

- 238AA.114CP**
 - Self-cleaning VorMax® toilet bowl that freshens the bowl with every flush
 - The specially formulated VorMax Plus FreshInfuser™ features LYSOL® and lasts up to 30 days◇
 - The VorMax jetted scrub plus LYSOL® work together to keep the bowl clean and smelling fresh
 - Two VorMax Plus FreshInfuser™ packs included with purchase of toilet
 - Cleaning compartment is seamlessly hidden and easy to access
 - Slow close, quick release seat included for easy cleaning
 - VorMax flushing technology cleans two times better than conventional toilets**
 - Combination bowl with seat plus tank
 - 12" (305 mm) rough-in
 - Right Height elongated siphon action bowl
 - Ultra-high efficiency toilet (UHET) 1.0 gpf/3.8 Lpf
 - Meets EPA WaterSense® and MaP Premium criteria
 - EverClean® Antimicrobial Surface
 - Transitional styling
 - CleanCurve™ rim eliminates rim area where dirt and build-up hide
 - 16-1/2" (419 mm) rim height for accessible applications
 - 2-1/16" (52 mm) trapway
 - Dual injection flush valves
 - Chrome trip lever
 - Two color-matched bolt caps
 - 10 year warranty
 - Best 1,000g MaP Flush Score†

- 238AA.115CP** Same as above except trip lever on right hand side
- 3385A.100CP** Right Height® Elongated Bowl and VorMax Plus™ seat with two VorMax Plus FreshInfusers™
- 4385A.114** UHET Tank
- 1610.001** VorMax Plus FreshInfuser™ single pack

To Be Specified:

- Color: White
- Supply with stop:

LYSOL® is used under license to American Standard. © 2017

◇ Based on a usage of 12 flushes per day

** Source: Test Report No. 109-141486-002, comparing VorMax against conventional under-the-rim-water-dispersal toilets from major retailers.

† MaP testing performed by IAPMO R&T Lab. MaP report conducted by Gauley Associates Ltd. and Koeller and Company.



VorMax Plus FreshInfuser™ Detail

SEE REVERSE FOR ROUGHING-IN DIMENSIONS AND PRODUCT SPECIFICATIONS

Nominal Dimensions:

30-3/16" x 17-7/8" x 32-1/4"
(767 x 453 x 820mm)

Fixture with seat, supply sold separately

Alternative Tank Configuration Available:

- 4385A.115** Tank complete with trip lever located on right side

Compliance Certifications -

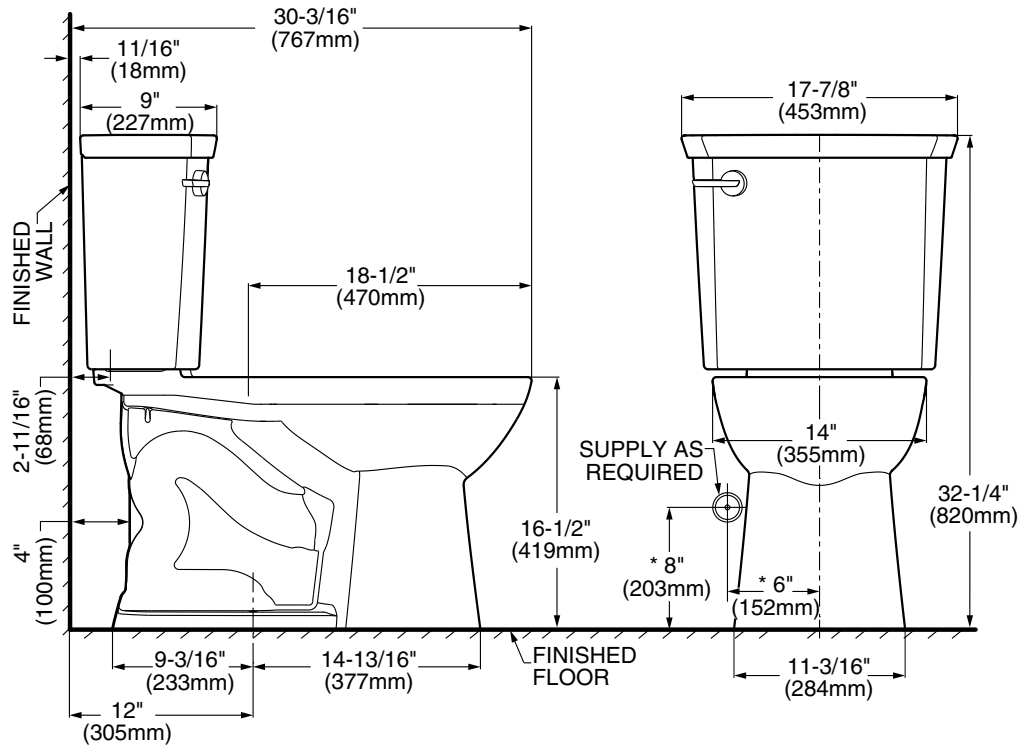
Meets or Exceeds the Following Specifications:

- ASME A112.19.2/CSA B45.1 for Vitreous China Fixtures
- US EPA WaterSense® Specification for UHETs



MEETS THE AMERICANS WITH DISABILITIES ACT GUIDELINES AND ICC ANSI A117.1 REQUIREMENTS FOR ACCESSIBLE AND USABLE BUILDING FACILITIES-CHECK LOCAL CODES.





NOTES:

THIS TOILET IS DESIGNED TO ROUGH-IN AT A MINIMUM DIMENSION OF 305MM (12") FROM FINISHED WALL TO C/L OF OUTLET. SUPPLY NOT INCLUDED WITH FIXTURE AND MUST BE ORDERED SEPARATELY.
* DIMENSION SHOWN FOR LOCATION OF SUPPLY IS SUGGESTED.

IMPORTANT: Dimensions of fixtures are nominal and may vary within the range of tolerances established by ANSI Standard A112.19.2. These measurements are subject to change or cancellation. No responsibility is assumed for use of superseded or voided pages.