

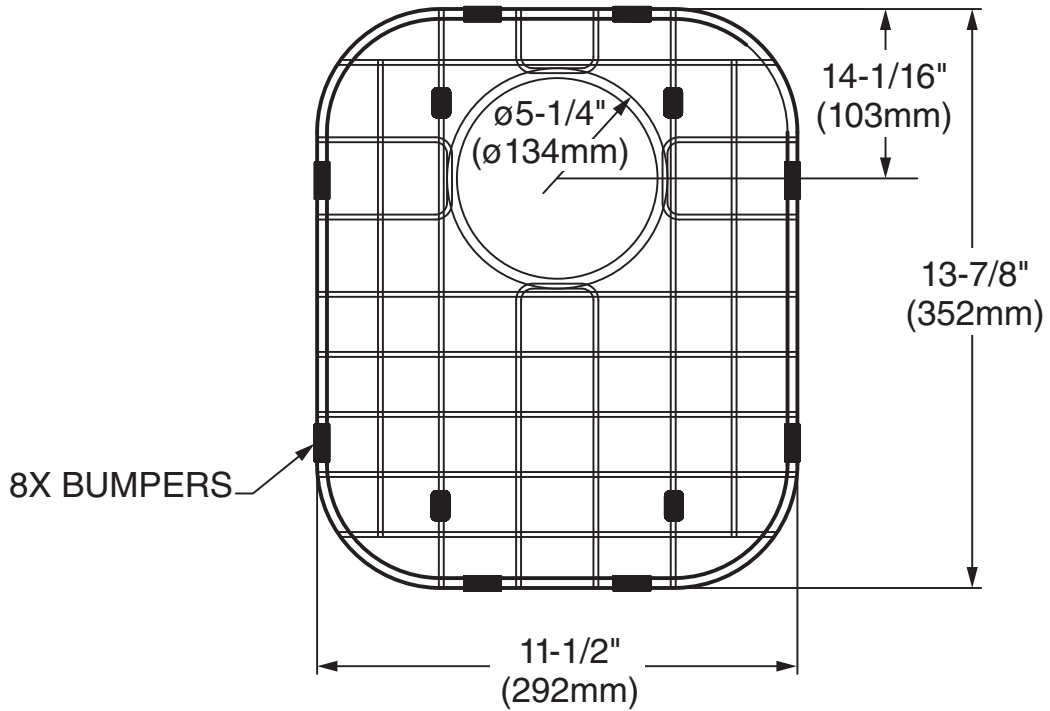
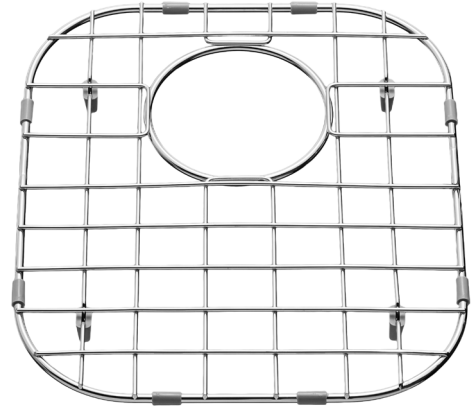
STAINLESS STEEL KITCHEN SINK BOTTOM GRID

☐ Polished stainless with coordinating plastic feet and side bumpers

- For use with 18DB.9311800S.075 Kitchen Sink
- One per box; fits right or left bowl

Nominal Dimensions:

13-7/8" x 11-1/2" x 1"
(353 x 292 x 25mm)



To Be Specified: