

**Decorum® 0.125 GPF
High Efficiency Urinal**

- Sleek, modern, compact vitreous china design
- Deep sump reduces splashing
- Washout urinal works at 0.125 gpf (0.47 Lpf)
- Permanent EverClean® surface inhibits the growth of stain and odor-causing bacteria, mold, and mildew on the surface
- 3/4" inlet spud
- Outlet connection threaded 2" inside (NPTF)
- Wall hangers included
- Fixture only
- Strainer included
- ADA compliant
- Meets ANSI flush requirements at 0.125 GPF
- Meets California water savings regulations

- 6042.001EC** Top spud
- 6043.001EC** Back spud

Nominal Dimensions:

356 x 338 x 546mm
(14" x 13-5/16" x 21-1/2")

Recommended working pressure – between
20 psi at valve when flushing and 80 psi static

**Compliance Certifications -
Meets or Exceeds the Following Specifications:**


- ASME A112.19.2-2008/CSA B45.1-08 for Vitreous China Fixtures

To Be Specified:

- Color: White
- 7381755-200.0020A: Vandal-Resistant Stainless Steel Strainer
- Flush Valve:
 - 0.125 gpf Flush Valve: Sensor-Operated:
 - American Standard Selectronic® #6063.013.002 DC Power (Top Spud)
 - American Standard Selectronic® #6062.301.007 AC Power (Back Spud)
 - 0.125 gpf Flush Valve: Manual-Operated:
 - American Standard #6045.013.002



SEE REVERSE FOR ROUGHING-IN DIMENSIONS

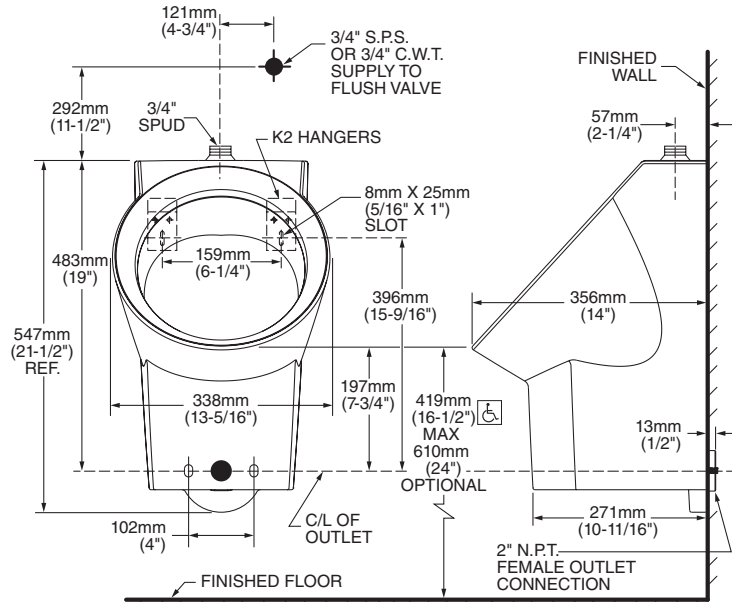
 **MEETS THE AMERICANS WITH DISABILITIES ACT GUIDELINES AND ANSI A117.1 ACCESSIBLE AND USEABLE BUILDINGS AND FACILITIES - CHECK LOCAL CODES.**

- When installed so top of rim is 432mm (17") from finished floor.

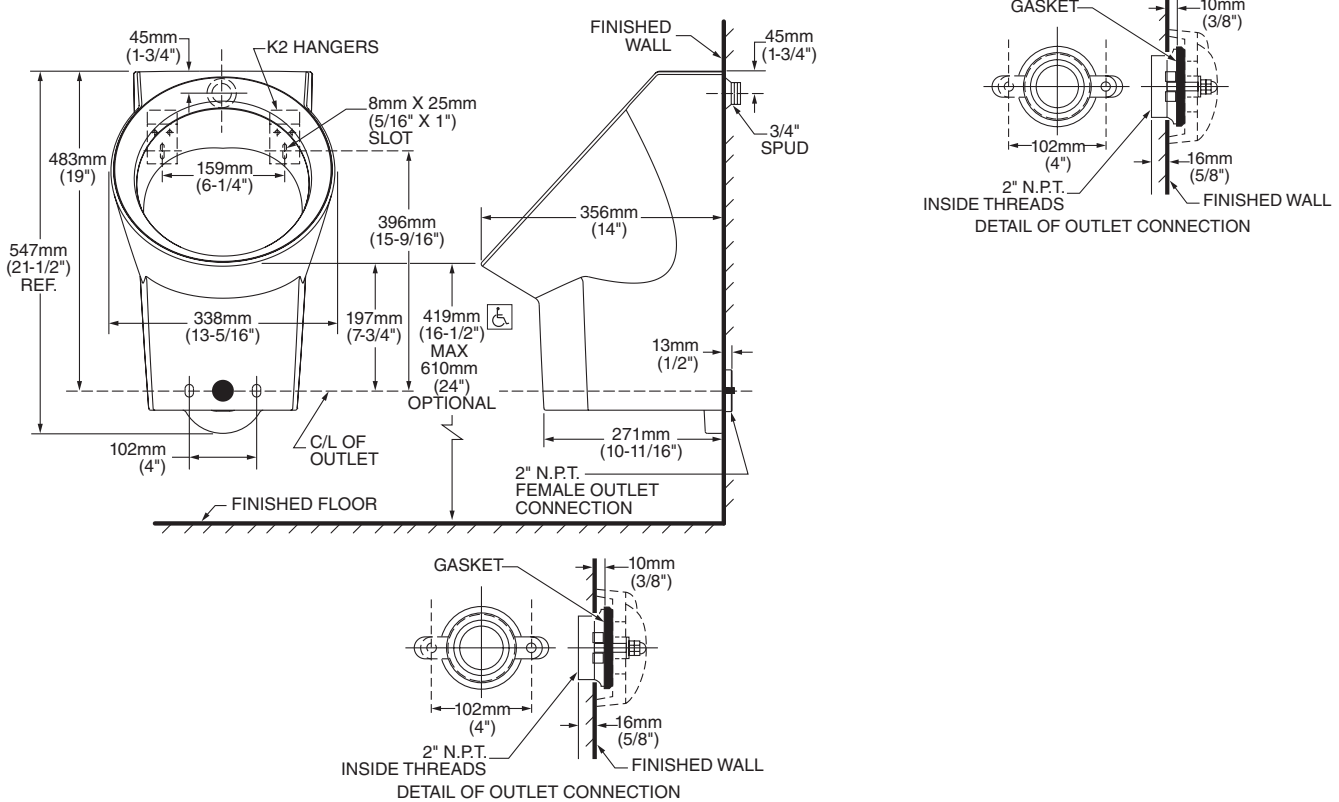


ADA COMPLIANT EVERCLEAN

6042.001EC TOP SPUD



6043.001EC BACK SPUD



NOTES:
FLUSH VALVE NOT INCLUDED WITH FIXTURE AND MUST BE ORDERED SEPARATELY.
PROVIDE SUITABLE REINFORCEMENT FOR ALL WALL SUPPORTS.

IMPORTANT: Dimensions of fixtures are nominal and may vary within the range of tolerances established by ANSI Standard A112.19.2. These measurements are subject to change or cancellation. No responsibility is assumed for use of superseded or voided pages.