

PRINCETON® RECESS BATH W/ LUXURY LEDGE

Americast® brand engineered material

- 2394.202** Left Hand Outlet
- 2394.202TC** Same as above w/tub cover
- 2395.202** Right Hand Outlet
- 2395.202TC** Same as above w/tub cover

- Acid resistant porcelain finish
- Recess bath with integral apron and tiling flange
- Integral lumbar support
- Extra wide ledge for placement of toiletries
- Beveled headrest
- Full slip-resistant coverage
- End drain outlet
- Integral base



PRINCETON® RECESS BATH W/ LUXURY LEDGE for Above Floor Rough Installations*

- 2396.202** Left Hand Outlet for above floor installation
- 2396.202TC** Same as above w/tub cover
- 2397.202** Right Hand Outlet for above floor installation
- 2397.202TC** Same as above w/tub cover

 **MEETS THE AMERICANS WITH DISABILITIES ACT GUIDELINES AND ANSI A117.1 REQUIREMENTS FOR ACCESSIBLE AND USEABLE BUILDING FACILITIES-CHECK LOCAL CODES. INSTALL WITH SEAT AT HEAD END.**

Nominal Dimensions:

1524 x 864 x 356mm
 (445mm for above floor installation)
 (60" x 34" x 14")
 (17-1/2" for above floor installation)

Bathing Well Dimensions:

1423 x 635 x 337mm
 (56" x 25" x 13-1/4")

Compliance Certifications - Meets or Exceeds the Following Specifications:

- ASME A112.19.1/CSA B45.2
- ASTM F-462 for Slip-resistant Bathing Facilities
- CSA B45.5/IAPMO Z124 Ignition Test, Section 5.13

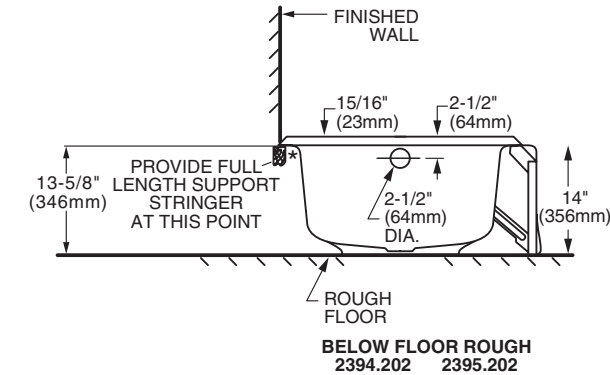
To Be Specified:

- Color:
- Bath Faucet*:
- Faucet Finish:
- Drain:
- Drain Finish:

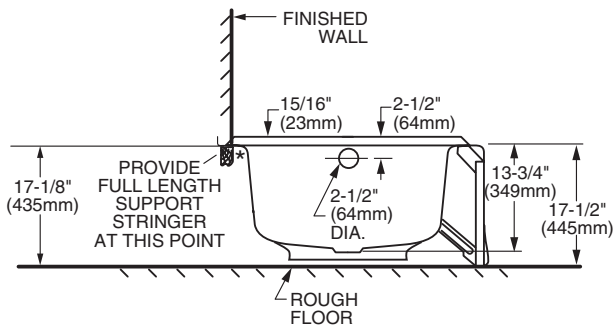
*See faucet section for additional models available

SEE REVERSE FOR PRODUCT DIMENSIONS AND SPECIFICATIONS

Americast® brand engineered material is a composition of porcelain bonded to enameling grade metal, bonded to a patented structural composite.

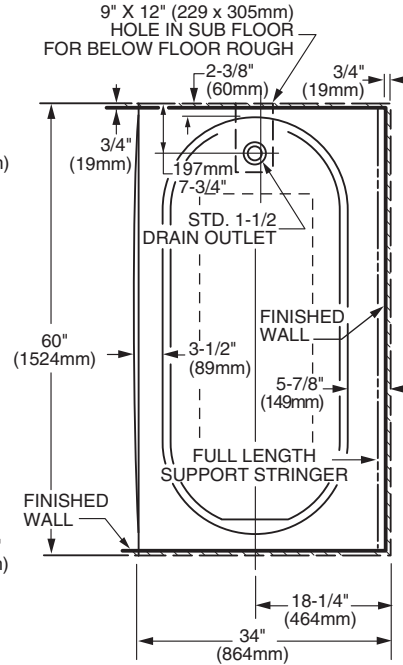


BELOW FLOOR ROUGH
2394.202 2395.202



ABOVE FLOOR ROUGH
2396.202 2397.202

*PLUMBER NOTE: PROVIDE FULL LENGTH SUPPORT STRINGER AT THIS POINT

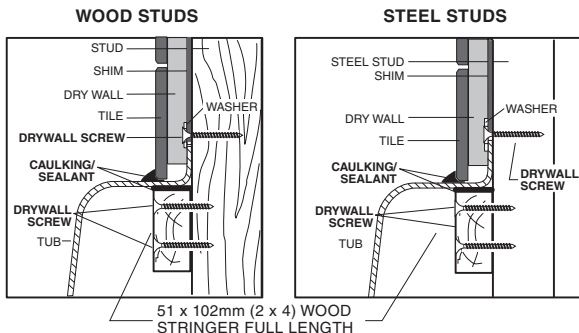


LEFT HAND TUB ILLUSTRATED
RIGHT HAND TUB IS REVERSED

GENERAL SPECIFICATIONS FOR 2394/2395 BATHING POOL	
INSTALLED SIZE	60 x 34 x 14 In. (1524 x 864 x 356mm)
WEIGHT	118 Lbs. (54 Kg.)
WEIGHT w/WATER	468 Lbs. (213 Kg.)
GAL. TO OVERFLOW	42 Gal. (159 L)
BATHING WELL AT SUMP	42 x 19 In. (1067 x 483mm)
BATHING WELL AT RIM	56 x 25 In. (1423 x 635mm)
WATER DEPTH TO OVERFLOW	9-1/2 In. (241mm)
FLOOR LOADING (PROJECTED AREA)	33 Lbs./Sq.Ft. (159 Kgs./Sq.m)
PTS.	6.7
CUBE (FT ³)	20.1

GENERAL SPECIFICATIONS FOR 2396/2397 BATHING POOL*	
INSTALLED SIZE	60 x 34 x 17-1/2 In. (1524 x 864 x 445mm)
WEIGHT	126 Lbs. (57 Kg.)
WEIGHT w/WATER	476 Lbs. (216 Kg.)
GAL. TO OVERFLOW	42 Gal. (159 L)
BATHING WELL AT SUMP	42 x 19 In. (1067 x 483mm)
BATHING WELL AT RIM	56 x 25 In. (1423 x 635mm)
WATER DEPTH TO OVERFLOW	9-1/2 In. (241mm)
FLOOR LOADING (PROJECTED AREA)	34 Lbs./Sq.Ft. (163 Kgs./Sq.m)
PTS.	8.1
CUBE (FT ³)	24.1

Below is shown typical cross sections of the tub rim showing typical wall constructions.



NOTES:

LEFT HAND OUTLET SHOWN, RIGHT HAND REVERSE DIMENSIONS. (2395.202 and 2397.202).

SHOWN WITH POP-UP C.D. & O.

CONCEALED PIPING NOT FURNISHED.

BATH FAUCET NOT INCLUDED AND MUST BE ORDERED SEPARATELY. REFER TO INSTALLATION INSTRUCTIONS SUPPLIED WITH FITTING.

PROVIDE SUITABLE REINFORCEMENT FOR ALL WALL SUPPORTS.

■ REFER TO INSTALLATION INSTRUCTIONS SUPPLIED WITH BATH.

IMPORTANT: Dimensions of fixtures are nominal and may vary within the range of tolerances established by ASME A112.19.1/CSA B45.2. These measurements are subject to change or cancellation. No responsibility is assumed for use of superseded or voided leaflet.