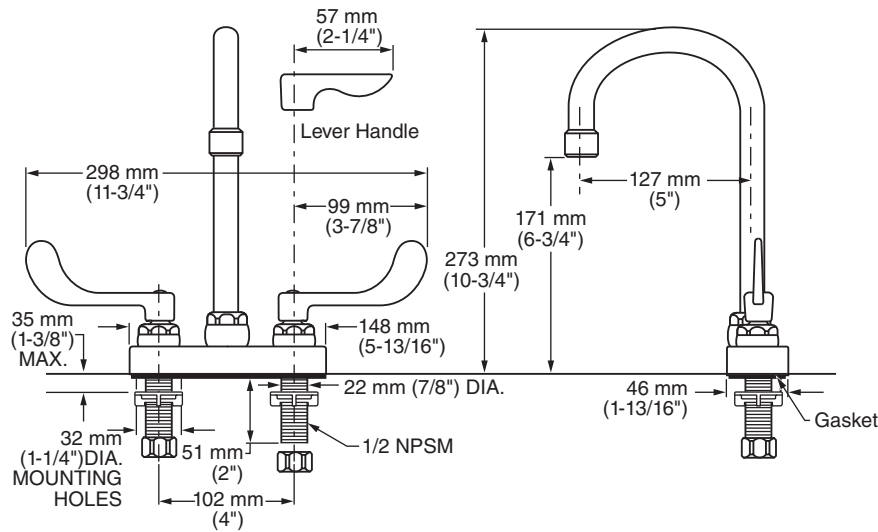




7500.170 Shown

MODEL NUMBER:*

- ❑ **7500.170 Centerset Lavatory**
1.5 gpm Pressure Compensating Aerator. Rigid/swivel gooseneck spout. Vandal-Resistant Wrist Blade handles. Less drain and pop-up hole.
- ❑ **7502.170 Centerset Lavatory**
1.5 gpm Pressure Compensating Aerator. Rigid/swivel gooseneck spout. Vandal-Resistant Wrist Blade handles. Grid strainer drain.
- ❑ **7500.140 Centerset Lavatory**
1.5 gpm Pressure Compensating Aerator. Rigid/swivel gooseneck spout. Vandal-Resistant Lever handles. LESS drain and pop-up hole.
- ❑ **7502.140 Centerset Lavatory**
1.5 gpm Pressure Compensating Aerator. Rigid/swivel gooseneck spout. Vandal-Resistant Lever handles. Grid strainer drain.



GENERAL DESCRIPTION:

Durable cast brass construction. 1/2" male threaded inlet shanks with shank nuts and brass coupling nuts. 1/4 turn ceramic disc valve cartridges. Field-convertible rigid/swivel gooseneck spout. Choice of Vandal-Resistant Wrist Blade or Lever handles with blue & red color indexes. All brass drain body with 1 1/4" (32 mm) tailpiece (on applicable models). 1.5 gpm/5.7 L/min. maximum flow rate.

PRODUCT FEATURES:

- Pressure Compensating Aerator:** Provides a constant water flow of 1.5 gpm throughout the pressure range.
- Solid Brass Construction:** Durable - Excellent in high use applications. Ideal for prolonged contact with water.
- Ceramic Disc Valve Cartridge:** Assures a lifetime of drip-free performance.
- Field-Convertible Rigid/Swivel Spout:** Easily converted in the field.
- Lead Free:** Faucet contains ≤ 0.25% total lead content by weighted average.

SUGGESTED SPECIFICATION

4" centerset lavatory faucet shall be cast brass construction with shank nuts and brass coupling nuts. Shall feature water-conserving 1.5 gpm/5.7 L/min. pressure compensating aerator. Vandal-Resistant handles. Shall also feature 1/4 turn washerless ceramic disc valve cartridges. Fitting shall be American Standard Model # 750_1_0.002.

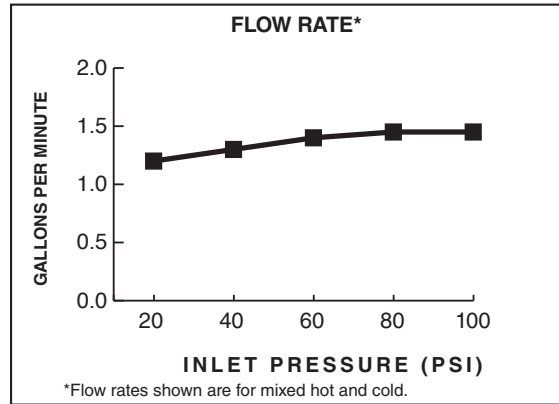


MONTERREY®
TWO-HANDLE CENTERSET LAVATORY FAUCET
RIGID/SWIVEL GOOSENECK SPOUT WITH 5" REACH

CODES AND STANDARDS

These products meet or exceed the following codes and standards:

- ASME A112.18.1**
- CSA B125.1**
- NSF 372**



Product Number	Description	Finish
		Polished Chrome
		002
7500.170	Centerset Lavatory with rigid/swivel gooseneck spout. 1.5 gpm/5.7 L/min pressure compensating aerator. Vandal-Resistant Wrist Blade Handles. LESS drain and pop-up hole.	
7502.170	Centerset Lavatory with rigid/swivel gooseneck spout. 1.5 gpm/5.7 L/min pressure compensating aerator. Vandal-Resistant Wrist Blade Handles. Grid strainer drain. .	
7500.140	Centerset Lavatory with rigid/swivel gooseneck spout. 1.5 gpm/5.7 L/min pressure compensating aerator. Vandal-Resistant Lever Handles. LESS drain and pop-up hole.	
7502.140	Centerset Lavatory with rigid/swivel gooseneck spout. 1.5 gpm/5.7 L/min pressure compensating aerator. Vandal-Resistant Lever Handles. Grid strainer drain.	

Meets the American Disabilities Act Guidelines and **ANSI A117.1** Requirements for accessible and usable building facilities - check local codes

Other Aerators Available:	
Part Suffix	Description
LV15	1.5 gpm (5.7 Lpm) Vandal-Resistant PCA Non-Aerated Laminar Flow Outlet
V15	1.5 gpm (5.7 Lpm) PCA Vandal-Resistant Aerator
LV10	1.0 gpm (3.8 Lpm) Vandal-Resistant PCA Non-Aerated Laminar Flow Outlet
V10	1.0 gpm (3.8 Lpm) Vandal-Resistant PCA Aerator
V05*	0.5 gpm (1.9 Lpm) PCA Vandal-Resistant Multi-Laminar Spray
V035*	t0.35 gpm (1.3 Lpm) Vandal-Resistant PCA Non-Aerated Spray

PCA - Pressure Compensating
 *Meets Cal Green Code

PART OF LIXIL