

**Washbrook® FloWise® 0.5 GPF  
High Efficiency Urinal System**

- ❑ **6590.501** 0.5 gpf Exposed Top Spud Urinal and Manual Piston-Type Urinal Flush Valve

**URINAL:**

- Vitreous china
- Ultra High Efficiency. Operates in the range of 0.125 gpf to 1.0 gpf (0.5 Lpf to 3.8 Lpf)
- Flushing rim
- Elongated 14" rim from finished wall
- Washout flush action
- Extended sides for privacy
- 3/4" inlet spud
- Outlet connection threaded 2" inside (NPTF)
- Strainer included
- Meets ASME flush requirements at 0.125 to 1.0 gpf
- Model 6590.001 top spud

**MANUAL FLUSH VALVE:**

- Self-cleaning brass piston with integral wiper spring prevents clogging and reduces maintenance
- Piston operation delivers superior flush accuracy and repeatability
- Piston valve remains closed and does not need to be reset after loss of water pressure
- Non-hold open handle
- Positive seal ensures leak-free performance
- No external volume adjustment
- Durable chrome-plated cast brass construction is ideal for commercial applications
- Chloramine-resistant EPDM seals
- Adjustable tailpiece for rough-in flexibility
- Can be installed left or right hand
- Model 6045.051 for 3/4" top spud urinals, 0.5 gpf

**Includes:**

- 2 Wall hangers
- 3/4" I.P.S. angle stop with back-flow protection and vandal-resistant cap
- Sweat solder kit including cover tube and wall flange
- High back pressure vacuum breaker with down tube
- Spud coupling and flange for 3/4" top spud



SEE REVERSE FOR ROUGHING-IN DIMENSIONS

**High-Efficiency Urinal Systems:**

- 50% water savings when compared to a 1.0 gpf urinal system

**Operating Pressure:**

20 psi (flowing) - 80 psi (static)

**Flow Requirement:**

10gpm (37.9 L/min.)

**Nominal Fixture Dimensions:**

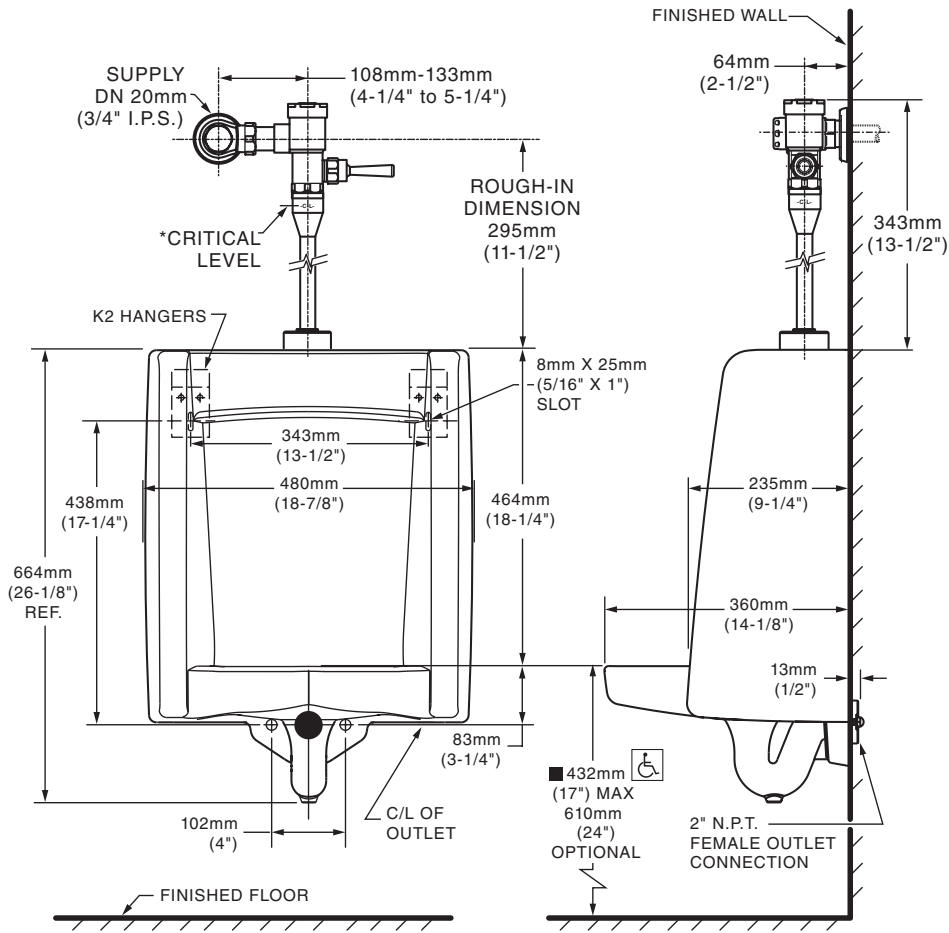
360 x 480 x 664mm (14-1/8" x 18-7/8" x 26-1/8")



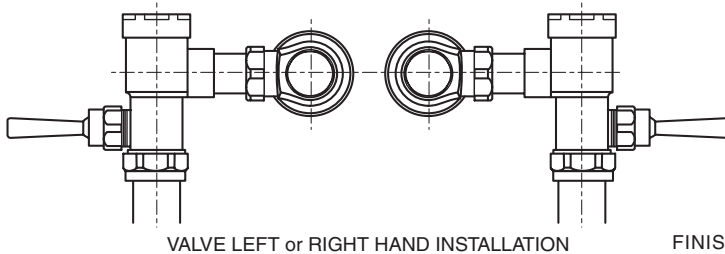
5-YEAR LIMITED  
WARRANTY on  
FIXTURE and  
FLUSH VALVE



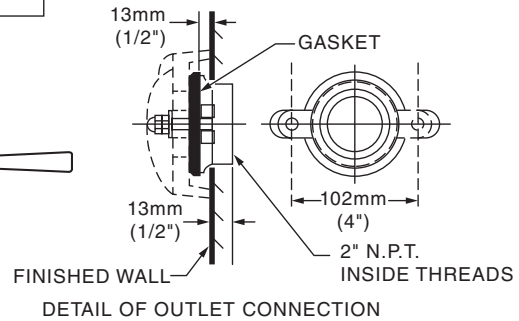
EPA  
WATERSENSE  
CERTIFIED



\*Note: The Critical Line (-C-L) on Vacuum Breaker must typically be a minimum of 6" (152mm) above fixture. Consult Codes for details.



VALVE LEFT or RIGHT HAND INSTALLATION



DETAIL OF OUTLET CONNECTION

**Fixture Compliance Certifications - Meets or Exceeds the Following Specifications:**

- ASME A112.19.2-2008/CSA B45.1-08 for Vitreous China Fixtures

**Valve Listings:**

- ASSE 1037
- ANSI/ASME A112.19.2
- ADA Compliant

**NOTES:**

PROVIDE SUITABLE REINFORCEMENT FOR ALL WALL SUPPORTS.

**IMPORTANT:** Dimensions of fixtures are nominal and may vary within the range of tolerances established by ANSI Standard A112.19.2. These measurements are subject to change or cancellation. No responsibility is assumed for use of superseded or voided pages.



MEETS THE AMERICANS WITH DISABILITIES ACT GUIDELINES AND ANSI A117.1 ACCESSIBLE AND USABLE BUILDINGS AND FACILITIES - CHECK LOCAL CODES.

• When installed so top of rim is 432mm (17") MAXIMUM from finished floor.