

Colony® Chair Height™ Elongated
12" Rough Toilet

- 221AA.104**
 - Vitreous china
 - High Efficiency Toilet (HET), ultra-low consumption (4.8 Lpf/1.28 gpf), utilizes 20% less water
 - Meets EPA WaterSense® criteria
 - PowerWash® rim scrubs bowl with each flush
 - Includes color match bowl caps
 - 2" flush valve
 - 2" trapway
 - 16-1/2" rim height for accessible applications
 - 12" (305mm) rough-in
 - Generous 9" x 8" water surface area
 - Color matched trip lever is supplied
 - 2 year warranty
- 221AA.105** Same as above except with trip lever on right side
- 3251A.101 or 3068.001** Chair Height Elongated Bowl
- 4192A.104 or 4061.128** Tank

Nominal Dimensions:

756 x 456 x 760 mm
(29-3/4" x 18" x 29-7/8")

Fixture only, seat and supply sold separately

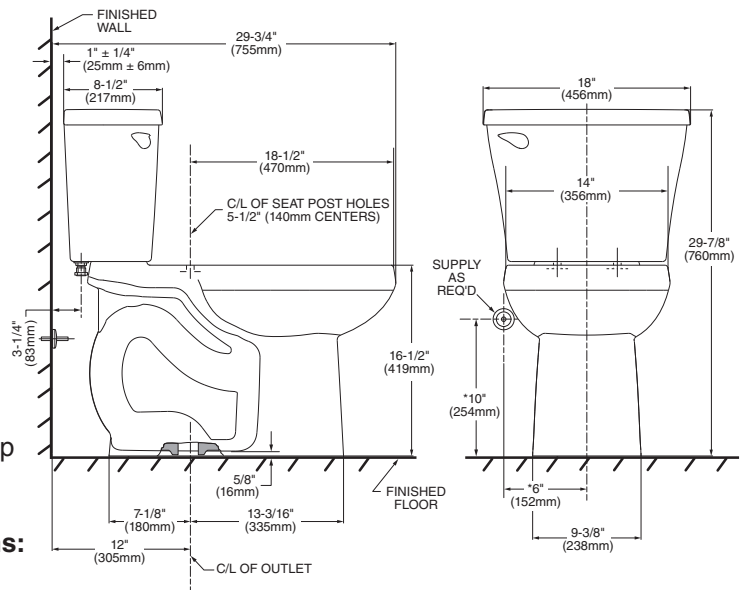
Alternative Tank Configurations Available:

- 4192A.154 or 4061.513** Tank complete with Aquaguard Liner
- 4192A.105 or 4061.813** Tank complete with trip lever located on right side

Compliance Certifications -

Meets or Exceeds the Following Specifications:

- ASME A112.19.2/CSA B45.1 for Vitreous China Fixtures
- US EPA WaterSense® Specification for HETs



NOTES:

THIS TOILET IS DESIGNED TO ROUGH-IN AT A MINIMUM DIMENSION OF 305MM (12") FROM FINISHED WALL TO C/L OF OUTLET. SUPPLY NOT INCLUDED WITH FIXTURE AND MUST BE ORDERED SEPARATELY. * DIMENSION SHOWN FOR LOCATION OF SUPPLY IS SUGGESTED.

IMPORTANT: Dimensions of fixtures are nominal and may vary within the range of tolerances established by ANSI Standard A112.19.2. These measurements are subject to change or cancellation. No responsibility is assumed for use of superseded or voided pages.



MEETS THE AMERICANS WITH DISABILITIES ACT GUIDELINES AND ICC ANSI A117.1 REQUIREMENTS FOR ACCESSIBLE AND USABLE BUILDING FACILITIES-CHECK LOCAL CODES.

To Be Specified:

- Color: White Bone Linen
- Seat: American Standard 5257A.65MT "Cardiff" or 5503A.00B solid plastic closed front elongated seat with cover
- Supply with stop:

