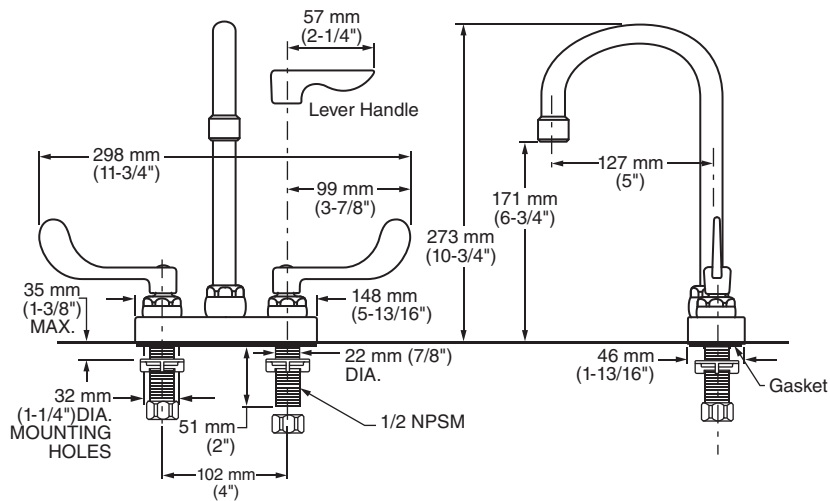




7500.175 Shown

MODEL NUMBER:*

- 7500.175 Centerset Lavatory**
 0.5 gpm Pressure Compensating Vandal-Resistant Spray. Rigid/swivel gooseneck spout. Vandal-Resistant Wrist Blade handles. Less drain and pop-up hole.
- 7502.175 Centerset Lavatory**
 0.5 gpm Pressure Compensating Vandal-Resistant Spray. Rigid/swivel gooseneck spout. Vandal-Resistant Wrist Blade handles. Grid strainer drain.
- 7500.145 Centerset Lavatory**
 0.5 gpm Pressure Compensating Vandal-Resistant Spray. Rigid/swivel gooseneck spout. Vandal-Resistant Lever handles. Less drain and pop-up hole.
- 7502.145 Centerset Lavatory**
 0.5 gpm Pressure Compensating Vandal-Resistant Spray. Rigid/swivel gooseneck spout. Vandal-Resistant Lever handles. Grid strainer drain.



GENERAL DESCRIPTION:

Durable cast brass construction. 1/2" male threaded inlet shanks with shank nuts and brass coupling nuts. 1/4 turn ceramic disc valve cartridges. Field-convertible swivel/rigid spout. Choice of Vandal-Resistant Wrist Blade or Lever handles with blue & red color indexes. All brass drain body with 1 1/4" (32mm) tailpiece (on applicable models). 0.5 gpm/1.9L/min. maximum flow rate.

PRODUCT FEATURES:

Pressure Compensating Spray: Provides a constant water flow of 0.5 gpm throughout the pressure range

Solid Brass Construction: Durable - Excellent in high use applications. Ideal for prolonged contact with water.

Ceramic Disc Valve Cartridge: Assures a lifetime of drip-free performance.

Field-Convertible Swivel/Rigid Spout: Easily adjusted in the field.

Lead-Free: Faucet contains ≤ 0.25% total lead content by weighted average.

SUGGESTED SPECIFICATION:

4" centerset lavatory faucet shall be cast brass construction with all brass shank nuts and coupling nuts. Shall feature water-conserving vandal-resistant 0.5 gpm/1.9L/min. pressure compensating spray. Vandal-Resistant handles. Shall also feature 1/4 turn washerless ceramic disc valve cartridges. Fitting shall be American Standard Model # 750_1_5.002.

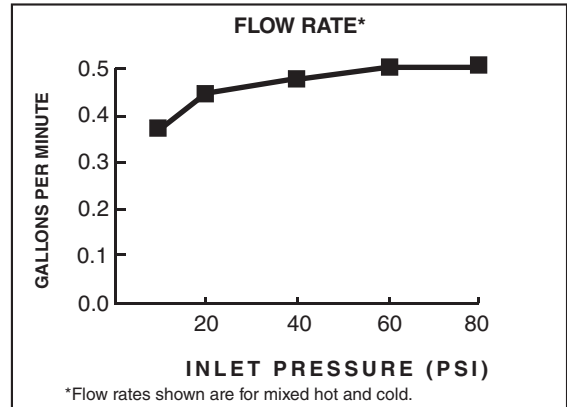


MONTERREY™ 0.5 GPM
TWO-HANDLE CENTERSET LAVATORY FAUCET
 WITH GOOSENECK SPOUT

CODES AND STANDARDS

These products meet or exceed the following codes and standards:

- ANSI A117.1**
- ASME A112.18.1**
- CSA B 125**
- NSF 372**



Product Number	Description	Finish
		Polished Chrome
		002
7500.175	Centerset Lavatory with rigid/swivel gooseneck spout. 0.5 gpm/1.9L/min pressure compensating vandal-resistant spray. Vandal-Resistant Wrist Blade Handles. Less drain and pop-up hole.	
7502.175	Centerset Lavatory with rigid/swivel gooseneck spout. 0.5 gpm/1.9L/min pressure compensating vandal-resistant spray. Vandal-Resistant Wrist Blade Handles. Grid strainer drain.	
7500.145	Centerset Lavatory with rigid/swivel gooseneck spout. 0.5 gpm/1.9L/min pressure compensating vandal-resistant spray. Vandal-Resistant Lever Handles. Less drain and pop-up hole.	
7502.145	Centerset Lavatory with rigid/swivel gooseneck spout. 0.5 gpm/1.9L/min pressure compensating vandal-resistant spray. Vandal-Resistant Lever Handles. Grid strainer drain.	

 MEETS THE AMERICANS WITH DISABILITIES ACT GUIDELINES AND ANSI A117.1 REQUIREMENTS FOR ACCESSIBLE AND USABLE BUILDING FACILITIES-CHECK LOCAL CODES