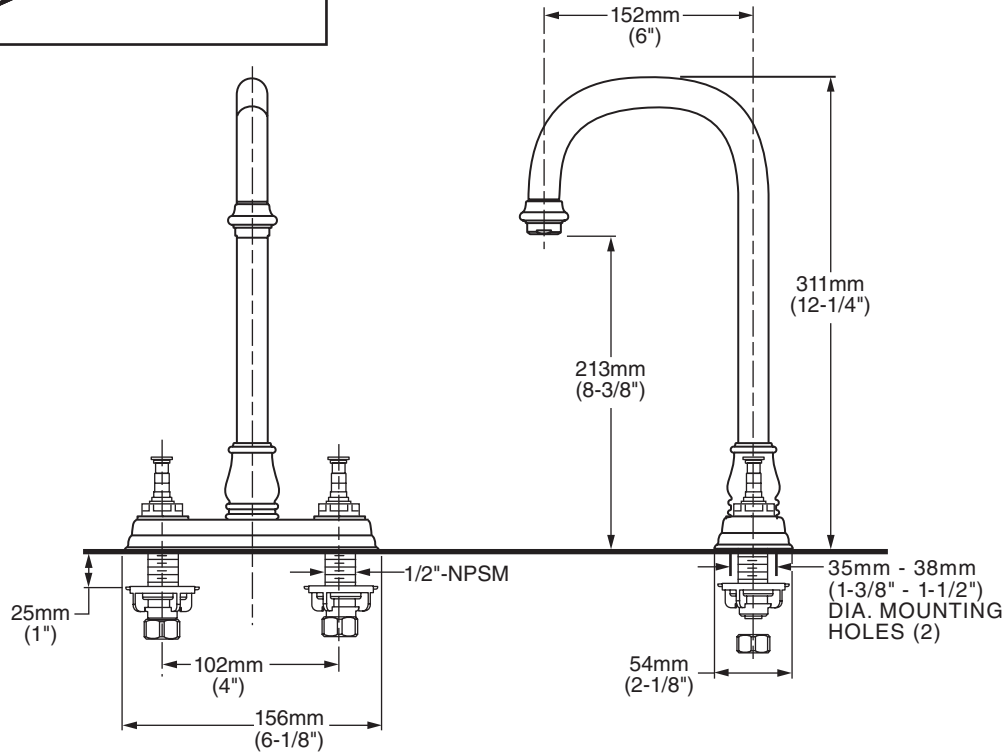




MODEL NUMBER:

- ☐ **2770.732 Centerset Bar Faucet**
Metal lever handles.
- ☐ **2770.732.F15 Centerset Bar Faucet**
Metal lever handles



GENERAL DESCRIPTION:

Durable brass construction. 1/4 turn washerless ceramic disc valve cartridges. One-half inch male inlet shanks with brass coupling nuts. Brass 22mm (7/8") diameter swivel spout (360° rotation). Brass escutcheon plate (escutcheon size 6-1/8L x 2-1/8D). 2.2 gpm/8.3 L/min. maximum flow rate, 1.5 gpm/5.7 L/min, maximum flow rate for F15 models.

PRODUCT FEATURES:

Brass Construction & Cast Brass Waterway: Durable - Excellent in high use applications. Ideal for prolonged contact with water.

Ceramic Disc Valve Cartridges: Assures a lifetime of drip-free performance.

Larger Spout: Increased spout height, reach and diameter.

Lead Free: Faucet contains ≤ 0.25% total lead content by weighted average.

Choice of finishes: Available in a wide range of durable finishes.

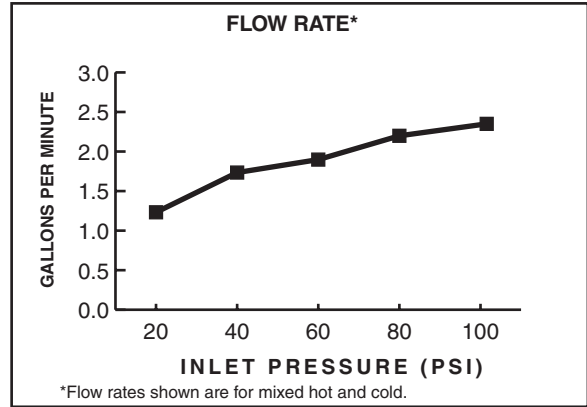
SUGGESTED SPECIFICATION:

Two handle centerset bar sink faucet shall feature brass construction with all brass inlet shanks and coupling nuts. Shall also feature 1/4 turn washerless ceramic disc valve cartridges. Fitting shall be American Standard Model # 2770.732.____.____.

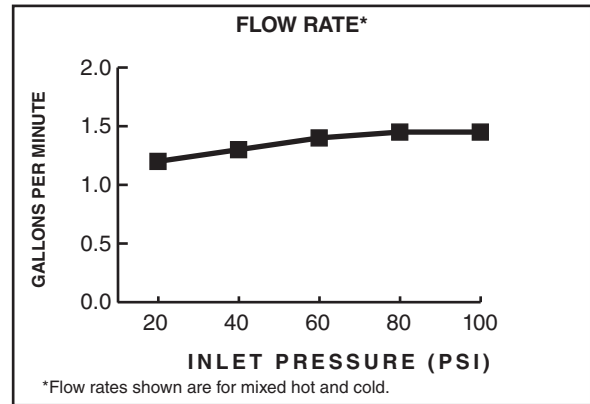
CODES AND STANDARDS

These products meet or exceed the following codes and standards:

- ASME A112.18.1
- CSA B 125
- NSF 61/Section 9 & Annex G




2.2 gpm/8.3 L/min. FLOW RATE



1.5 gpm/5.7 L/min. FLOW RATE

Product Number	Description	Finish Options			
		Polished Chrome	PVD Polished Brass	Oil Rubbed Bronze	PVD Satin Nickel
		002	099	224	295
2770.732	Centerset Bar Faucet - 2.2 gpm/8.3 L/min. maximum flow rate				
2770.732.F15	Centerset Bar Faucet - 1.5 gpm/5.7 L/min. maximum flow rate				

 Meets the American Disabilities Act Guidelines and **ANSI A117.1** Requirements for the physically challenged.