

**AFWALL® MILLENIUM™ FloWise® 1.1 GPF
FLUSHOMETER TOILET SYSTEM**

- 2859.111** 1.1 gpf Exposed Top Spud Bowl and Manual Flush Valve

BOWL:

- Wall-mount elongated flushometer valve toilet
- Vitreous china
- High Efficiency. Operates in the range of 1.1 gpf to 1.6 gpf (4.2 Lpf to 6.0 Lpf)
- Condensation channel
- Direct-fed siphon jet action
- 1-1/2" inlet spud
- Fully-glazed 2-1/8" trapway
- 10" x 12" water surface area
- 100% factory flush tested
- Bolt caps and seat not included
- Model 2257.101

MANUAL FLUSH VALVE:

- Manual Piston-Type Water Closet Flush Valve for floor-mounted or wall-hung 1-1/2" top spud bowls
- Self-cleaning brass piston with integral wiper spring prevents clogging and reduces maintenance
- Piston operation delivers superior flush accuracy and repeatability
- Piston valve remains closed and does not need to be reset after loss of water pressure
- ADA compliant non-hold open handle provides automatic shut-off after every flush
- Positive seal ensures leak-free performance
- No external volume adjustment
- Durable chrome-plated cast brass construction is ideal for commercial applications
- Chloramine-resistant EPDM seals
- Adjustable tailpiece for rough-in flexibility
- Can be installed left or right handed
- Model 6047.111.002

Includes:

- 047007-0070A Inlet spud (furnished with bowl)
- 1" I.P.S. angle stop with back-flow prevention and vandal-resistant cap
- Sweat solder kit including cover tube and wall flange
- High back pressure vacuum breaker with down tube
- Spud coupling & flange for 1-1/2" top spud

To Be Specified:

- Color: White
- Seat: 5901.100 American Standard Seat
- 5901.110 American Standard Seat with EverClean®
- Alternate Seat: 5905.100 Heavy Duty American Standard Seat
- 5905.110 Heavy Duty American Standard Seat with EverClean
- Carrier Fitting (by others):



SEE REVERSE FOR ROUGHING-IN DIMENSIONS

High-Efficiency Toilet Systems:

- 31.3% water savings when compared to a 1.6 gpf toilet system

System MaP* Score:

- 1,000 grams of miso @ 1.1 gpf

* Maximum Performance (MaP) testing performed by IAPMO R&T Lab. MaP Report conducted by Veritec Consulting, Inc. and Koeller and Company.

Operating Pressure:

25 psi (flowing) - 80 psi (static)

Flow Requirement:

25gpm (94.6 L/min.)

Nominal Fixture Dimensions:

660 x 356 x 381mm (26" x 14" x 15")



5-YEAR LIMITED
WARRANTY on
FIXTURE and
FLUSH VALVE



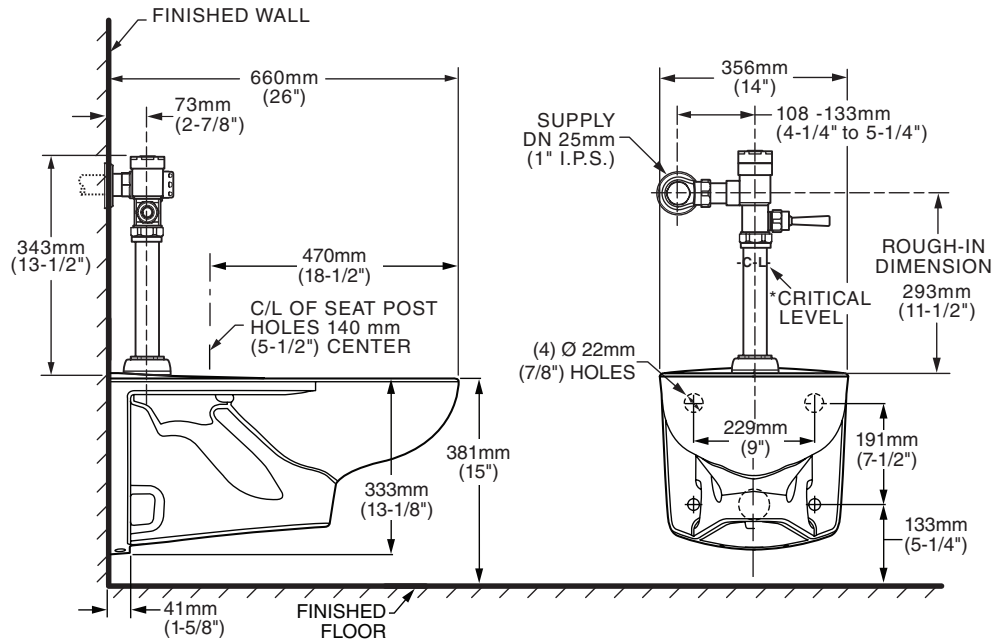
EPA
WATERSENSE
CERTIFIED

Fixture Compliance Certifications - Meets or Exceeds the Following Specifications:

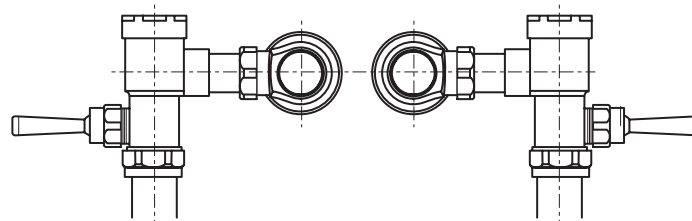
- ASME A112.19.2-2008 / CSA B45.1-08 for Vitreous China Fixtures

Valve Listings:

- ASSE 1037
- ANSI/ASME A112.19.2
- ADA Compliant



*Note: The Critical Line (-C-L) on Vacuum Breaker must typically be a minimum of 6" (152mm) above fixture. Consult Codes for details.



VALVE LEFT or RIGHT HAND INSTALLATION



MEETS THE AMERICANS WITH DISABILITIES ACT GUIDELINES AND ANSI A117.1 ACCESSIBLE AND USABLE BUILDINGS AND FACILITIES - CHECK LOCAL CODES.

- When installed so that top of seat is 432 to 483mm (17" to 19") from the finished floor.

NOTES:

WASTE OUTLET SEAL RING MUST BE NEOPRENE OR GRAPHITE-FELT (WAX RING NOT RECOMMENDED).

SUGGESTED 2mm (1/16) CLEARANCE BETWEEN FACE OF WALL AND BACK OF BOWL. TO COMPLY WITH AREA CODE GOVERNING THE HEIGHT OF VACUUM BREAKER ON THE FLUSHOMETER VALVE, THE PLUMBER MUST VERIFY DIMENSIONS SHOWN FOR SUPPLY ROUGHING.

CARRIER FITTING AS REQUIRED TO BE FURNISHED BY OTHERS. PROVIDE SUITABLE REINFORCEMENT FOR ALL WALL SUPPORT.

IMPORTANT: Dimensions of fixtures are nominal and may vary within the range of tolerances established by ANSI Standard A112.19.2.

These measurements are subject to change or cancellation. No responsibility is assumed for use of superseded or voided pages