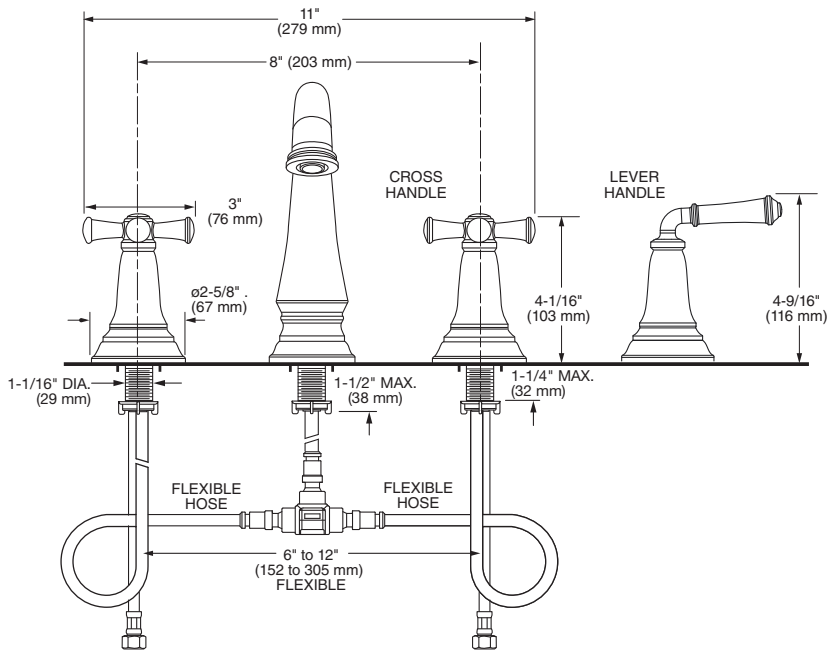
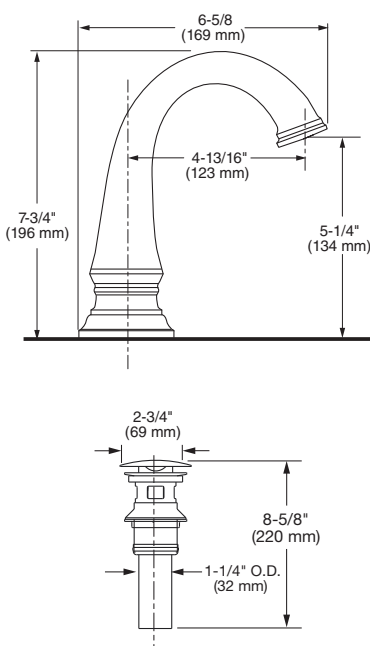


MODEL NUMBER:

- ❑ **7052807 Widespread with LEVER Handles**
Brass push pop-up drain.
- ❑ **7052814 Widespread with LEVER Handles**
LESS Drain. WITH Red/Blue temperature indicators.
- ❑ **7052827 Widespread with CROSS Handles**
Brass push pop-up drain.



GENERAL DESCRIPTION:

- Integrated flexible hose connections on valve body for 6" to 12" (152 mm to 305 mm) installations
- 1/4 turn washerless ceramic disc valve cartridges.
- Cast brass spout
- 24" stainless steel braided flexible supply hoses with 3/8" compression connectors
- Brass Push Pop-up drain body with 1-1/4 inch (32 mm) tail piece
- 1.2 gpm/4.5 L/min. maximum flow rate

PRODUCT FEATURES:

- Brass Construction:** Durable. Easy to clean. Ideal for prolonged contact with water. Provides the finest surface for application of colors and finishes.
- Ceramic Disc Valve Cartridge:** Assures a lifetime of smooth handle operation and drip-free performance.
- Push Pop-Up Drain:**
 - Fewer parts. Installs in less time.
 - No adjustments required - seals the first time, every time.
- Lead Free:** Faucet contains ≤ 0.25% total lead content by weighted average.



ADA COMPLIANT | EPA WATERSENSE® CERTIFIED

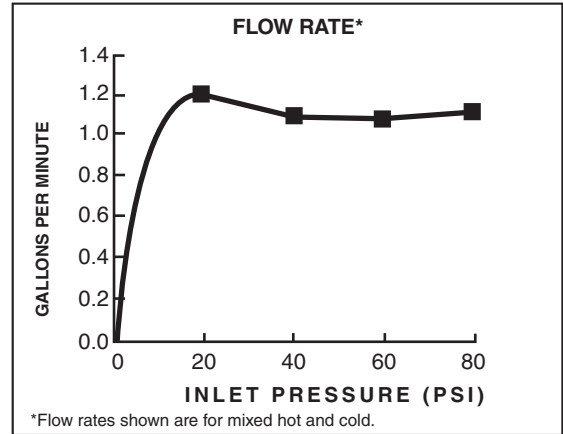
SUGGESTED SPECIFICATION

Two-handle widespread lavatory faucet shall feature integrated flexible hose connections for 6" to 12" installations. Shall also feature 1/4 turn washerless ceramic disc valve cartridges. Shall also feature a metal drain body. Fitting shall be American Standard Model #70528_____.


CODES AND STANDARDS

These products meet or exceed the following codes and standards:

- ANSI A117.1**
- ASME A112.18.1**
- CSA B125.1**
- NSF 61/Section 9**
- NSF 372**



Product Number	Description		Finish Options			
			Polished Chrome	Brushed Nickel	Polished Nickel	Legacy Bronze
			002	295	013	278
7052807	Widespread with LEVER Handles. Brass push pop-up drain.	ADA				
7052814	Widespread with LEVER Handles. LESS Drain. WITH Red/Blue temperature indicators.	ADA		/	/	/
7052827	Widespread with CROSS Handles. Brass push pop-up drain.	ADA				

 Meets the American Disabilities Act Guidelines and **ANSI A117.1** Requirements for the physically challenged.