

TOWNSEND® PEDESTAL SINK and OPTIONAL FURNITURE

Pedestal Sink and Leg Combinations:

- 0328.800** Faucet holes on 8" (203mm) centers (Illustrated)
- 0328.400** Faucet holes on 4" (102mm) centers
- 0328.100** Center hole only
 - Fine fireclay
 - Classic styled rectangular pedestal lavatory
 - Rear overflow
 - Supplied with mounting kit
 - Right Height® for greater comfort during use
 - Faucet ledge with large deck area (faucet not included)
 - Pedestal tops can also be used with design matched vanity or washstand furniture
 - **Design coordinates with Townsend® Collection**



Townsend pedestal combination 0328.800

Bowl Size:

19" (485mm) wide,
12-3/4" (324mm) front to back,
5" (128mm) deep

Nominal Dimensions:

Pedestal Sink and Leg Combinations:

30" x 19-1/2" x 35-1/4" (762 x 495 x 895mm)

Pedestal Sink and Furniture Combinations:

30" x 19-1/2" x 35-7/8" (762 x 495 x 910mm)

- 0328.008** Pedestal top-8" (203mm) centers
- 0328.004** Pedestal top-4" (102mm) centers
- 0328.001** Pedestal top-center hole only
- 0039.001** Pedestal leg only
- 9036.030** 30" (762mm) vanity less drawer pulls
- 7760.000** Drawer pulls (set of 2) for 30" (762mm) vanity
- 9039.030** 30" (762mm) washstand less towel bar
- 3749.000** Towel bar for 30" (762mm) washstand
- 7720.018** Optional decorative p-trap drain



Townsend pedestal top sink 0328.008
shown with 9036.030 vanity
and 7760.000 drawer pulls

Compliance Certifications -

Meets or Exceeds the Following Specifications:

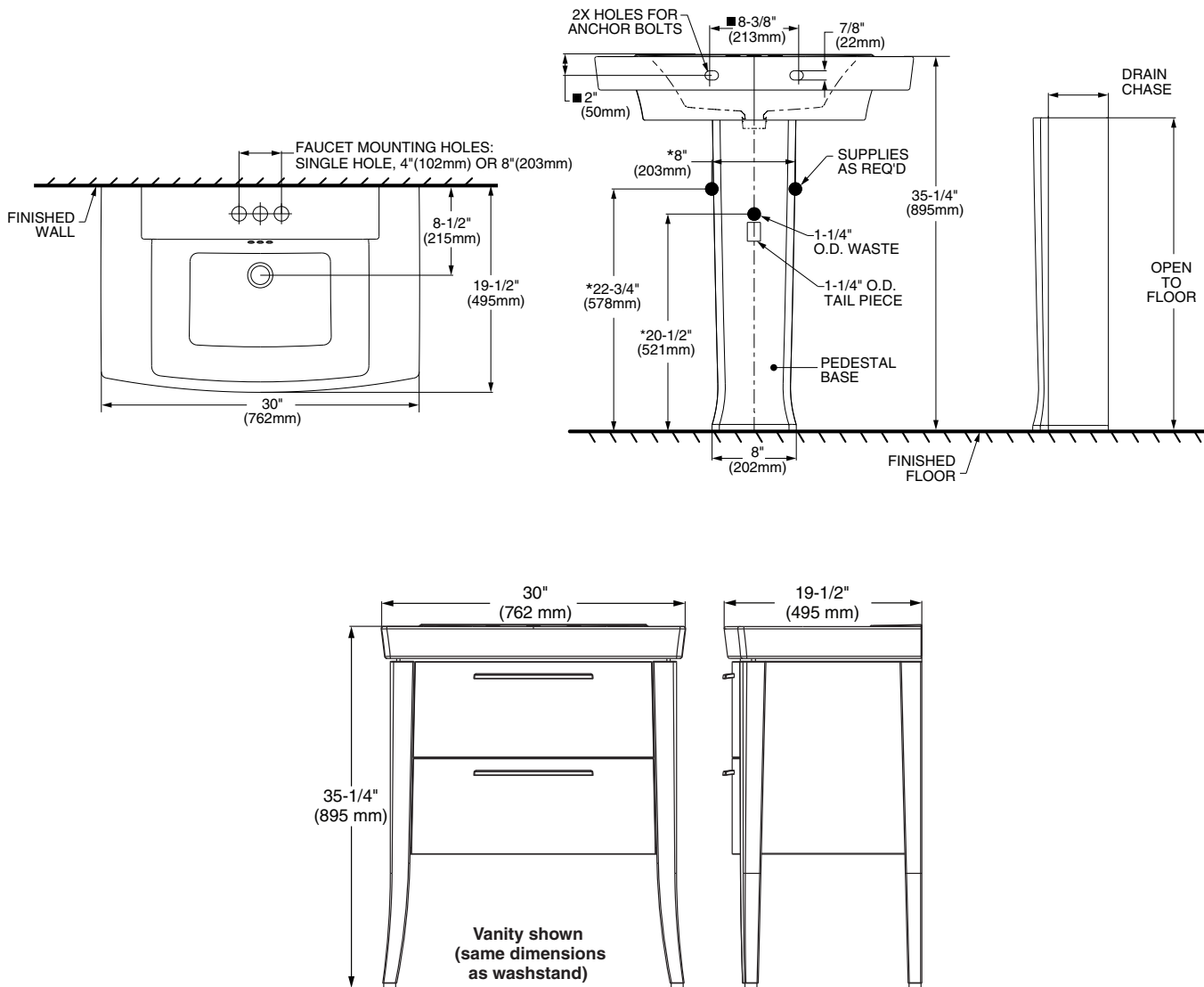
- ASME A112.19.2/CSA B45.1

SEE REVERSE FOR ROUGHING-IN DIMENSIONS

To Be Specified:

- Chinaware Color: White Linen
- Vanity Finish: White Smoked Grey
- Vanity Drawer Pulls Finish: Chrome Brushed Nickel
- Washstand Finish: White Smoked Grey
- Washstand Towel Bar Finish: Chrome Brushed Nickel
- Faucet*:
- Supplies:
- P-Trap Finish: Chrome Brushed Nickel

* See Townsend faucet section for models available



NOTES:

* DIMENSIONS SHOWN FOR LOCATION OF SUPPLIES AND "P" TRAPS ARE SUGGESTED.
 ■ SUITABLE FOR REINFORCEMENT ONLY. ACTUAL DIMENSIONS MUST BE TAKEN FROM FIXTURE.
 FITTING NOT INCLUDED AND MUST BE ORDERED SEPARATELY.
 PROVIDE SUITABLE REINFORCEMENT FOR ALL WALL SUPPORTS.
 INSTALLATION INSTRUCTIONS SUPPLIED WITH LAVATORY.
 FURNITURE SPECIFIC INSTRUCTIONS SUPPLIED WITH OPTIONAL FURNITURE.

IMPORTANT: Dimensions of fixtures are nominal and may vary within the range of tolerance established by ANSI Standard A112.19.2
 These measurements are subject to change or cancellation. No responsibility is assumed for use of superseded or voided pages.

**TOWNSEND® ABOVE COUNTER SINK
and OPTIONAL FURNITURE**

- 0329.004** Faucet holes on 4" (102mm) centers
- 0329.008** Faucet holes on 8" (203mm) centers
- 0329.001** Faucet holes - center hole only (illustrated)
 - Fine fireclay
 - Rectangular above counter sink
 - Front overflow
 - Sink has glazed back wall
 - **Design coordinates with Townsend Collection**
 - Supplied with cut-out template
 - Sink can be used with design matched quartz top with vanity or washstand furniture

Bowl size:

16" (405 mm) wide
 11" (280 mm) front-to-back
 5" (128 mm) deep

Nominal Dimensions:

Above Counter Sink Only:
 24" x 17-1/2" (610 x 454 mm)

Above Counter Sink and Furniture Combinations:
 30" x 20" x 36-3/8" (762 x 508 x 923mm)

- 9036.030** 30" (762mm) vanity less drawer pulls
- 7760.000** Drawer pulls (set of 2) for 30" (762mm) vanity
- 9039.030** 30" (762mm) washstand less towel bar
- 3749.000** Towel bar for 30" (762mm) washstand
- 7840.000.820** Quartz top for above counter sink
- 7720.018** Optional decorative p-trap drain

Compliance Certifications -

Meets or Exceeds the Following Specifications:

- ASME A112.19.2/CSA B 45.1

To Be Specified:

- Chinaware Color: White Linen
- Vanity Finish: White Smoked Grey
- Vanity Drawer Pulls Finish: Chrome Brushed Nickel
- Washstand Finish: White Smoked Grey
- Washstand Towel Bar Finish: Chrome Brushed Nickel
- Faucet*:
- Supplies:
- P-Trap Finish: Chrome Brushed Nickel

* See Townsend faucet section for models available



**MEETS THE AMERICANS WITH DISABILITIES ACT GUIDELINES
AND ICC ANSI A117.1 ACCESSIBLE AND USABLE
BUILDINGS AND FACILITIES - CHECK LOCAL CODES.**

Install lavatory 864mm (34") from finished floor.
 Lavatory installed 102mm (4") minimum from front edge
 of countertop provides 686mm (27") knee clearance area.
 Not compliant when used with optional furniture.

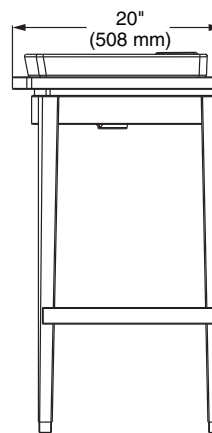
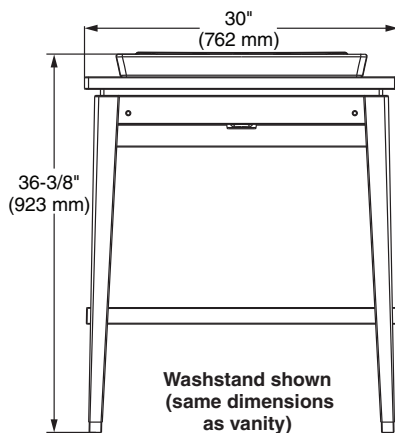
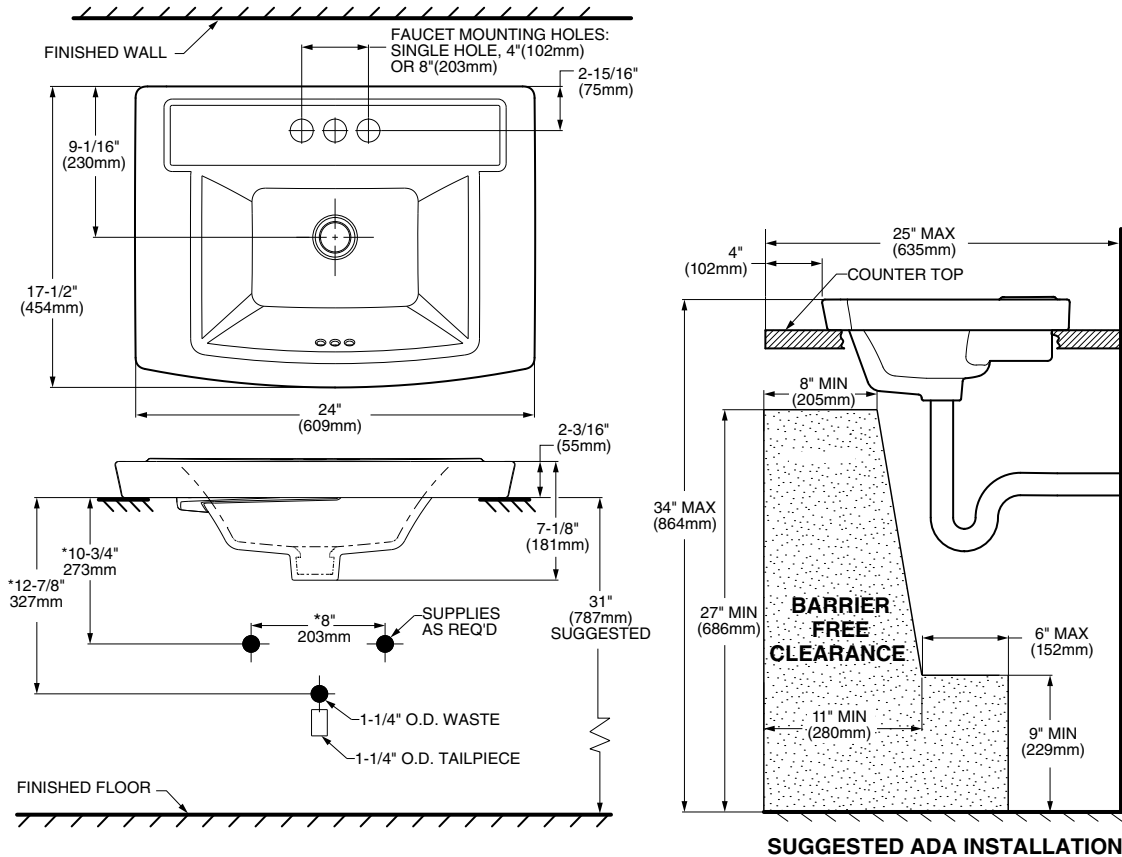


Townsend above counter sink 0329.001



Townsend above counter sink 0329.008
 shown with 7840.000.820 quartz top and
 9039.030 washstand and 3749.000 towel bar
 plus 7720.018 p-trap drain

SEE REVERSE FOR ROUGHING-IN DIMENSIONS



NOTES:

* DIMENSIONS SHOWN FOR LOCATION OF SUPPLIES AND "P" TRAP ARE SUGGESTED. FITTINGS NOT INCLUDED WITH FIXTURE AND MUST BE ORDERED SEPARATELY. FOR COUNTERTOP CUTOUT AND INSTALLATION INSTRUCTIONS USE TEMPLATE SUPPLIED WITH SINK. FURNITURE SPECIFIC INSTRUCTIONS SUPPLIED WITH OPTIONAL FURNITURE.

IMPORTANT: Dimensions of fixtures are nominal and may vary within the range of tolerances established by ANSI Standard A112.19.2. These measurements are subject to change or cancellation. No responsibility is assumed for use of superseded or voided pages.

**TOWNSEND® UNDER COUNTER SINK
and OPTIONAL FURNITURE**

- 0330.000 Unglazed Rim**
 - Rectangular under mount sink with tapered interior bowl
 - Made from vitreous china
 - Unglazed rim
 - Front overflow
 - Supplied with mounting kit and template
 - **Coordinates with Townsend® Collection**
 - Sink can be used with design matched quartz top with vanity or washstand furniture

Bowl Size:

17-3/4" (450mm) wide
11-5/8" (294mm) front to back
4-1/2" (115mm) deep

Nominal Dimensions:

Under Counter Sink Only
19-1/2" x 13-5/8" (495 x 346mm)

Above Counter Sink and Furniture Combinations:
30" x 20" x 34 (762 x 508 x 863mm)

- 9036.030** 30" (762mm) vanity less drawer pulls
- 7760.000** Drawer pulls (set of 2) for 30" (762mm) vanity
- 9039.030** 30" (762mm) washstand less towel bar
- 3749.000** Towel bar for 30" (762mm) washstand
- 7840.800.820** Quartz top with 8" (203mm) center faucet holes
- 7720.018** Optional decorative p-trap drain

Compliance Certifications -

Meets or Exceeds the Following Specifications:

- ASME A112.19.2/CSA B45.1

To Be Specified:

- Chinaware Color: White Linen
- Vanity Finish: White Smoked Grey
- Vanity Drawer Pulls Finish: Chrome Brushed Nickel
- Washstand Finish: White Smoked Grey
- Washstand Towel Bar Finish: Chrome Brushed Nickel
- Faucet*:
- Supplies:
- P-Trap Finish: Chrome Brushed Nickel

* See Townsend faucet section for models available



**MEETS THE AMERICANS WITH DISABILITIES ACT GUIDELINES
AND ICC ANSI A117.1 ACCESSIBLE AND USABLE
BUILDINGS AND FACILITIES - CHECK LOCAL CODES.**

Install lavatory 864mm (34") from finished floor.
Lavatory installed 102mm (4") minimum from front edge
of countertop provides 686mm (27") knee clearance area.
Not compliant when used with optional furniture.

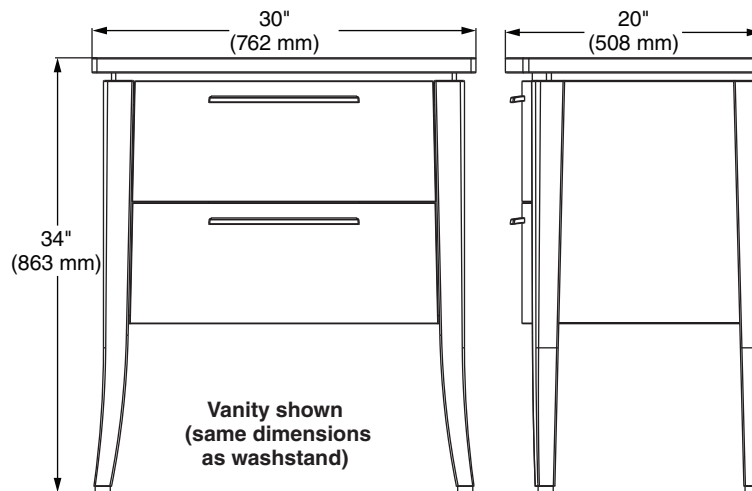
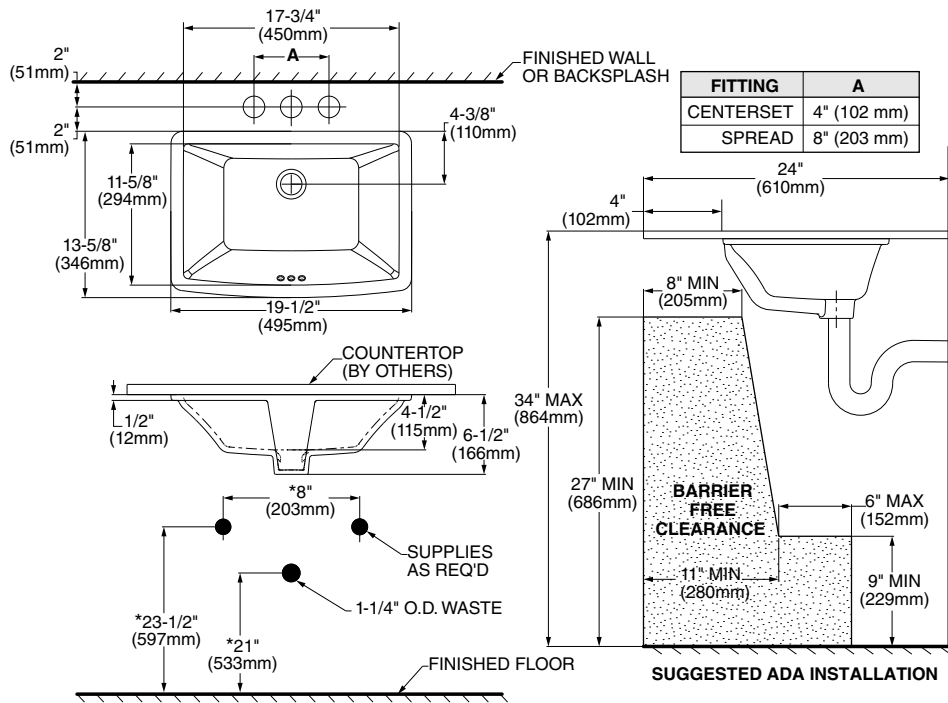


Townsend under counter sink 0330.000



Townsend under counter sink 0330.000
shown with 7840.800.820 quartz top and
9036.030 vanity and 7760.000 drawer pulls

SEE REVERSE FOR ROUGHING-IN DIMENSIONS



NOTES:
 * DIMENSIONS SHOWN FOR LOCATION OF SUPPLIES AND "P" TRAPS ARE SUGGESTED.
 FITTING NOT INCLUDED AND MUST BE ORDERED SEPARATELY.
 FOR COUNTERTOP CUTOUT AND INSTALLATION USE TEMPLATE SUPPLIED WITH SINK.
 FURNITURE SPECIFIC INSTRUCTIONS SUPPLIED WITH OPTIONAL FURNITURE.

IMPORTANT: Dimensions of fixtures are nominal and may vary within the range of tolerance established by ANSI Standard A112.19.2. These measurements are subject to change or cancellation. No responsibility is assumed for use of superseded or voided pages.

TOWNSEND® FREESTANDING TUB

2691.004 TOWNSEND FREESTANDING TUB

Product Features:

- Contemporary styling
- High quality seamless acrylic construction with fiberglass reinforcement
- Center toe-tap drain
- Wide deck ledge on one side is ideal for deck mount and/or handshower
- Wide deck ledge can be used to store bath accessories
- Integrated tub drain for easy installation
- Adjustable leveling feet under the tub
- Easy to clean high-gloss surface
- Coordinates with Townsend bathroom suite making a complete bathroom remodel easier
- Limited Lifetime warranty

Nominal Dimensions:

68" x 36" x 24"
(1727 x 915 x 610mm)

Compliance Certifications -

Meets or Exceeds the Following Specifications:

- IAPMO Z124-2011
- CSA B45.5-11
- cUPC



SEE REVERSE SIDE FOR ROUGHING-IN DIMENSIONS AND PRODUCT SPECIFICATIONS

To Be Specified - Required:

- Color: White

1582.000 Townsend® Drain and Overflow Kit

Choose Finish:

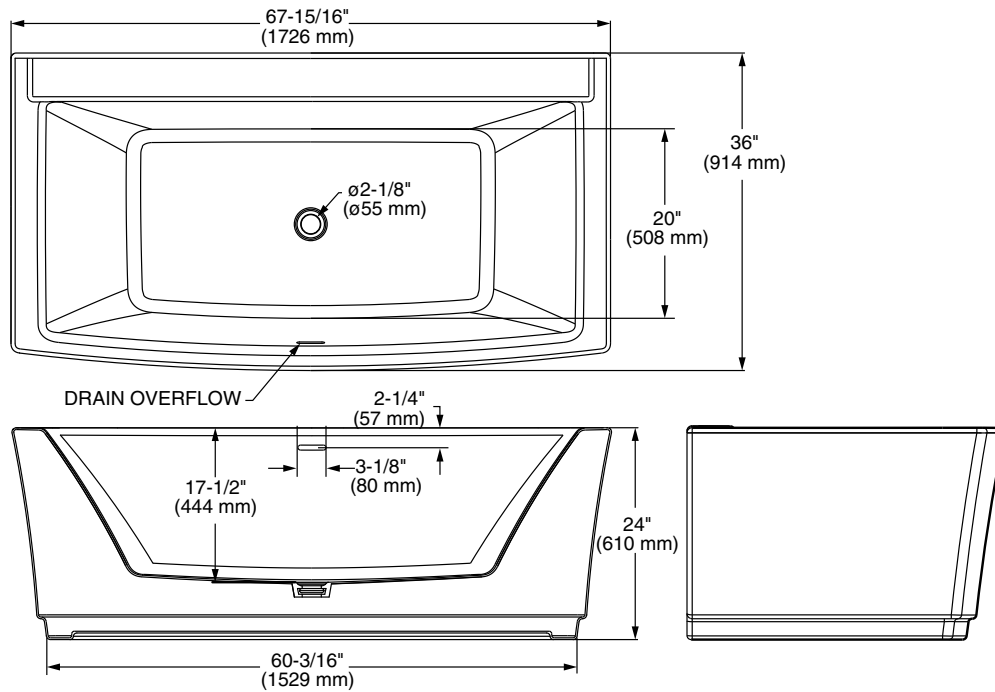
- .002 Chrome
- .295 Brushed Nickel
- .287 Polished Nickel
- .013 Legacy Bronze

Recommended: For concrete slab installation

Drain adapter rough-in suggest

- OS&B® ABS Island Tub Drain™ Rough-In #ITD35
- PVC Island Tub Drain™ Rough-In #ITD5135
or
- Cast Iron Island Tub Drain Rough-In #ID357

Island Tub Drain™ is a registered trademark of OS&B®



GENERAL SPECIFICATIONS FOR 2691 FREE STANDING BATH	
INSTALLED SIZE	68 x 36 x 24 in. (1727 x 914 x 610mm)
WEIGHT	100 Lbs. (45 Kg.)
WEIGHT w/WATER	645 Lbs. (293Kg.)
GAL. TO OVERFLOW	65 Gal. (246L)
BATHING WELL AT SUMP	41-1/2 x 21-1/2 In. (1054 x 546mm)
BATHING WELL AT RIM	61-7/8 x 29-3/8 In. (1572 x 746mm)
WATER DEPTH TO OVERFLOW	15 In. (381mm)
FLOOR LOADING (PROJECTED AREA)	38 Lbs./Sq.Ft. (186 Kgs./Sq.m)

NOTES:

■ REFER TO INSTALLATION INSTRUCTIONS SUPPLIED WITH BATHTUB FOR ADDITIONAL INFORMATION.

IMPORTANT: Dimensions of fixtures are nominal and may vary within the range of tolerances established by ANSI Standard Z124.1.2. These measurements are subject to change or cancellation. No responsibility is assumed for use of superseded or voided leaflet.