

PRODUCT FEATURES:

- Self-cleaning brass piston with integral wiper spring that cleans refill orifice with every flush. Reliable operation even with poor water quality,.
- No routine maintenance. No diaphragms to replace or filters to clean
- Piston operation delivers superior flush accuracy and repeatability
- Piston valve remains closed, and does not need to be reset after loss of water pressure
- ADA-compliant non-hold open handle provides automatic shut-off
- Positive seal ensures leak-free performance
- No external volume adjustment
- Durable chrome-plated cast brass body is ideal for commercial applications
- Chloramine-resistant EPDM seals
- Adjustable tailpiece for rough-in flexibility
- Can be installed left or right handed

MODEL NUMBER:

- ❑ **6047.117** Manual Flush Valve for 1-1/2" top spud clinic sinks. 24" Supply C/L to top of fixture, 6.5 gpf
- ❑ **6047.1517** Valve Only for Retrofit, 6.5 gpf. Does not include vacuum breaker assembly, angle stop & sweat solder kit

OPERATING PRESSURE:

25 psi (flowing)-80 psi (static)

FLOW REQUIREMENT:

25gpm (94.6 L/min.)

GENERAL DESCRIPTION:

- Manual Piston-Type Flush Valve for floor-mounted or wall hung 1-1/2" top spud clinic sinks

INCLUDES:

- 1" I.P.S. angle stop with back-flow prevention and vandal-resistant cap
- Sweat solder kit including cover tube and wall flange
- High back pressure vacuum breaker with down tube
- Spud coupling & flange for 1-1/2" top spud

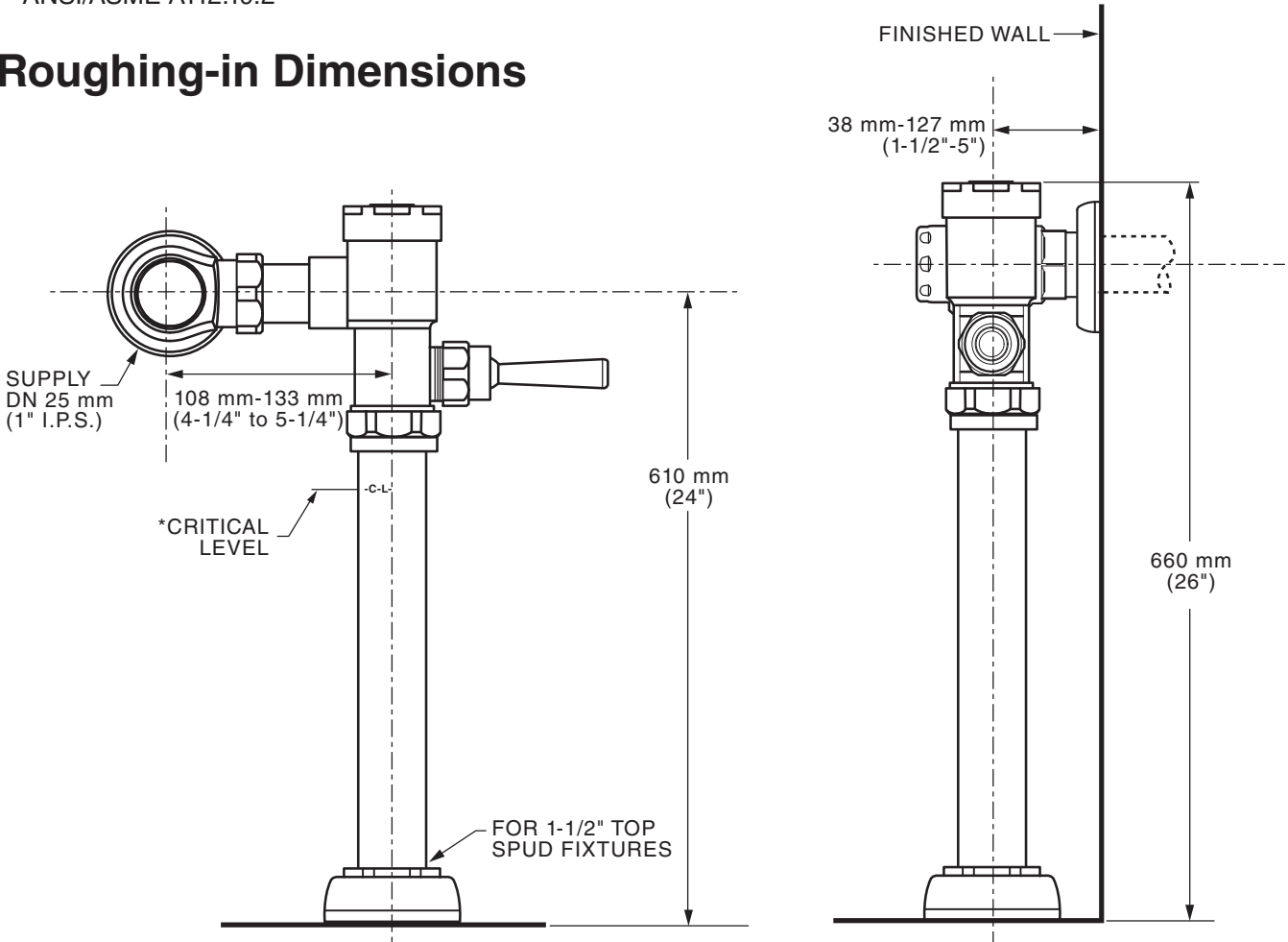
RECOMMENDED SPECIFICATION:

Manual clinic sink flush valve shall feature self-cleaning brass piston valve with integral wiper spring in bypass orifice to prevent clogging and valve run-on. Valve remains closed and does not need to be reset after loss of water pressure. Includes cast brass valve body and cover with chrome finish. Includes sweat solder kit with cover tube and wall flange, Angle stop with back flow preventer and vandal-resistant cap. High back pressure vacuum breaker with down tube. 6.5 gpf / 24.6 Lpf flush valve shall be American Standard Model # 6047_17.002

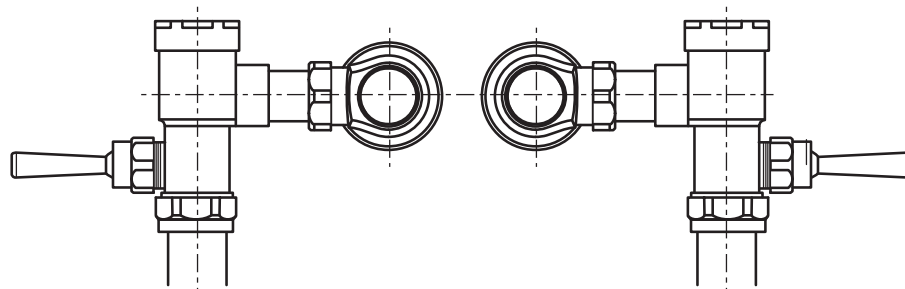
LISTINGS:

- ASSE 1037
- ANSI/ASME A112.19.2

Roughing-in Dimensions



*Note: The Critical Line (-C-L-) on Vacuum Breaker must typically be a minimum of 6" (152 mm) above fixture. Consult Codes for details.



Left or Right Hand Installation