

**DECORUM® 0.125 GPF  
HIGH EFFICIENCY URINAL SYSTEM**

- ❑ **6042.633** 0.125 gpf Exposed Top Spud Urinal and Selectronic® Urinal Flush Valve

**URINAL:**

- Sleek, modern, compact vitreous china design
- Deep sump reduces splashing
- Washout urinal works at 0.125 gpf (0.47 Lpf)
- Permanent EverClean® surface inhibits the growth of stain and odor-causing bacteria, mold, and mildew on the surface
- 3/4" inlet spud
- Outlet connection threaded 2" inside (NPTF)
- Strainer included
- Meets ANSI flush requirements at 0.125 gpf
- Meets California water savings regulations
- Model 6042.001EC.020

**SELECTRONIC® FLUSH VALVE:**

- Factory-Installed CR-P2 Lithium Battery
- Pressure compensation feature ensures accurate flush volume regardless of inlet water pressure
- Self-Cleaning Piston
- Integral wiper spring cleans refill orifice with every flush, preventing clogging and run-on
- No routine maintenance required. No diaphragm to change; no filter screen to clean.
- Dezincification resistant semi-red brass alloy
- Fully mechanical manual override button can flush the valve without power
- Valve remains closed and does not need to be reset after loss of water pressure
- Adjustable sanitary flush cleans the fixture and maintains the trap seal.
- Stadium feature: valve automatically switches to water savings mode during periods of heavy usage
- High back pressure vacuum breaker prevents leaking
- Chloramine-resistant EPDM seals
- Adjustable tailpiece for rough-in flexibility
- Can be installed left or right handed
- No external volume adjustment
- ADA compliant
- Model 6063.013.002

**Includes:**

- 2 Wall hangers
- 3/4" I.P.S. angle stop with back-flow protection and vandal-resistant cap
- Sweat solder kit including cover tube and wall flange
- 3/4" High back pressure vacuum breaker, spud coupling and flange

**Optional:**

- 7381755-200.0020A: Vandal-Resistant Stainless Steel Strainer



SEE REVERSE FOR ROUGHING-IN DIMENSIONS

**High-Efficiency Urinal Systems:**

- 87.5% water savings when compared to a 1.0 gpf urinal system

**Battery Life:**

- 4 years @ 4,000 flushes per month

**Operating Pressure:**

20 psi (flowing)-80 psi (static)

**Flow Requirement:**

10 gpm (37.9 L/min.)

**Nominal Fixture Dimensions:**

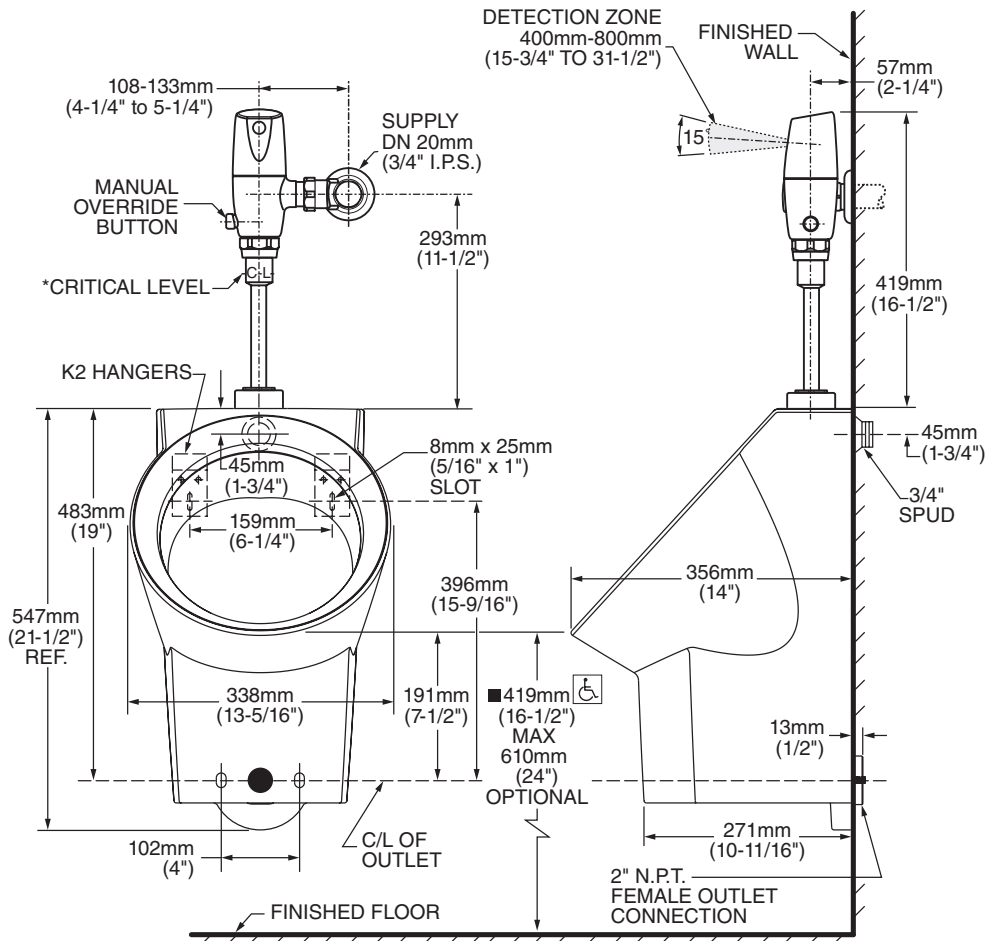
356 x 338 x 546mm  
(14" x 13-5/16" x 21-1/2")



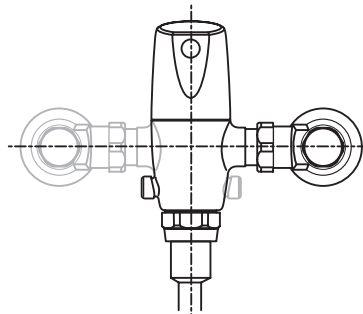
EVERCLEAN



EPA  
WATERSENSE  
CERTIFIED



\*Note: The Critical Line (-C-L-) on Vacuum Breaker must typically be a minimum of 6" (152mm) above fixture. Consult Codes for details.



VALVE LEFT or RIGHT HAND INSTALLATION

**Fixture Compliance Certifications - Meets or Exceeds the Following Specifications:**

- ASME A112.19.2-2008/CSA B45.1-08 for Vitreous China Fixtures

**Valve Listings:**

- ASSE 1037
- ANSI/ASSE A112.19.2
- ADA Compliant



MEETS THE AMERICANS WITH DISABILITIES ACT GUIDELINES AND ANSI A117.1 ACCESSIBLE AND USABLE BUILDINGS AND FACILITIES - CHECK LOCAL CODES.

- When installed so top of rim is 432mm (17") MAXIMUM from finished floor.

**NOTES:**

PROVIDE SUITABLE REINFORCEMENT FOR ALL WALL SUPPORTS.

**IMPORTANT:** Dimensions of fixtures are nominal and may vary within the range of tolerances established by ANSI Standard A112.19.2. These measurements are subject to change or cancellation. No responsibility is assumed for use of superseded or voided pages.