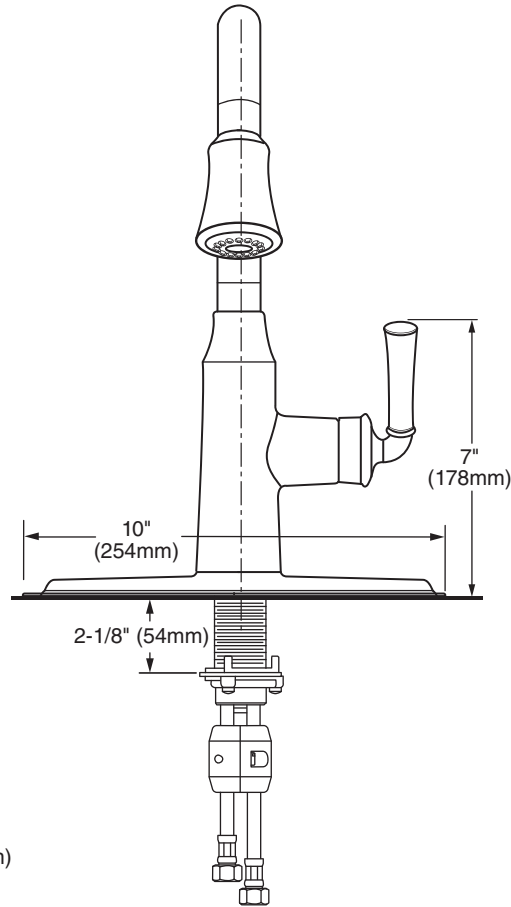
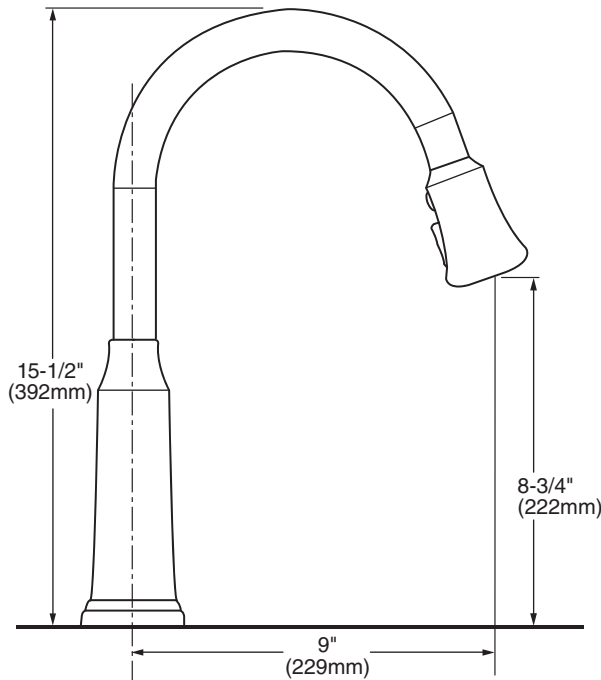




MODEL NUMBER:

- 4285.300 Kitchen Faucet with Pull-Down Spray
- 4285.300.F15 Kitchen Faucet with Pull-Down Spray



GENERAL DESCRIPTION:

Zinc diecast body with brass swivel spout and metal lever handle. Pull-down spray with adjustable spray pattern. Washerless 35mm ceramic disc valve cartridge. Complete with two integral check valves. Braided flexible supply hoses with 3/8" compression connectors. 1.8 gpm/6.8 Lmin. maximum flow rate, 1.5 gpm/5.7 L/min, maximum flow rate for F15 models.

PRODUCT FEATURES:

Ceramic Disc Valve Cartridge: Assures smooth, precise valve control and a lifetime of drip-free, maintenance-free performance.

Memory Position Valving: Allows user to turn valve on and off at preferred temperature setting without readjusting handle position each time.

Lead Free: Faucet contains $\leq 0.25\%$ total lead content by weighted average.

Pull-down Spray: Adjustable spray pattern-stream to spray with pause feature.

Integral Check Valves: Prevents back flow.

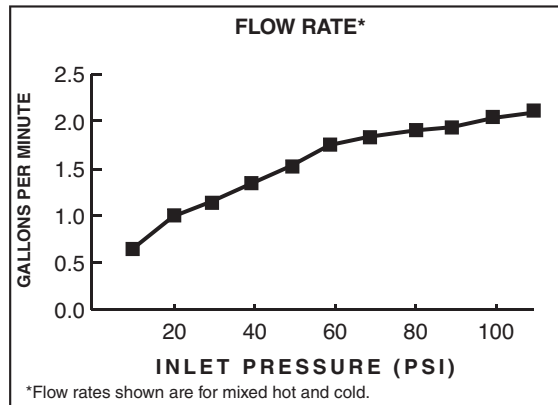
SUGGESTED SPECIFICATION:

Single control kitchen faucet shall feature a zinc diecast body with pull-down spray. Shall also feature washerless ceramic disc valve cartridge, flexible supply hoses and two integral check valves. Fitting shall be American Standard Model # 4285.300.....

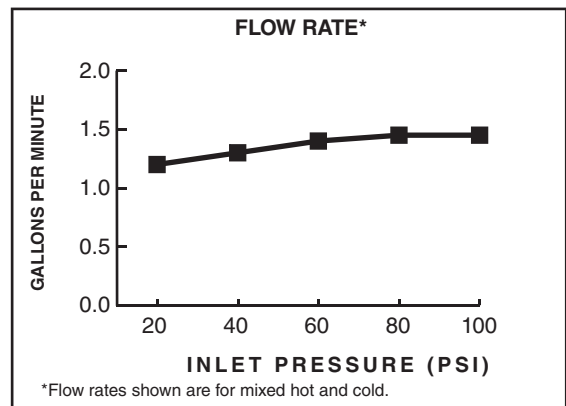
CODES AND STANDARDS

These products meet or exceed the following codes and standards:

- ANSI A117.1
- ASME A112.18.1
- NSF 61/Section 9 & Annex G
- CSA B125



1.8gpm/6.8L/min. FLOW RATE



1.5 gpm/5.7 L/min. FLOW RATE

Product Number	Description	Finish Options		
		Polished Chrome	Stainless Steel (PVD)	Oil Rubbed Bronze
4285.300	Single Control Pull-Down Kitchen Faucet - 1.8 gpm/6.8 L/min. maximum flow rate	002	075	224
4285.300.F15	Single Control Pull-Down Kitchen Faucet - 1.5 gpm/5.7 L/min. maximum flow rate			

 Meets the American Disabilities Act Guidelines and **ANSI A117.1** Requirements for the physically challenged.