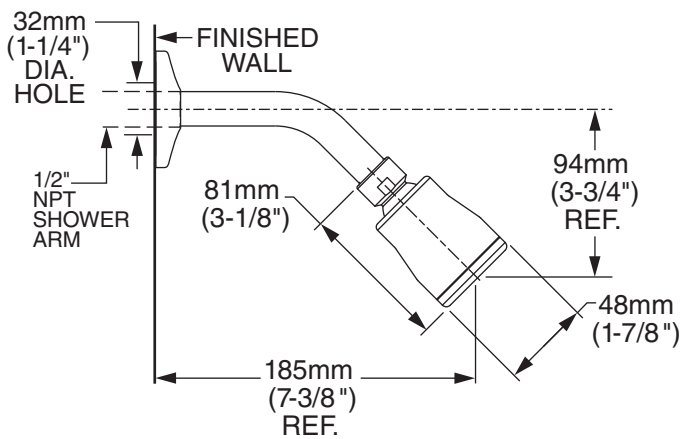


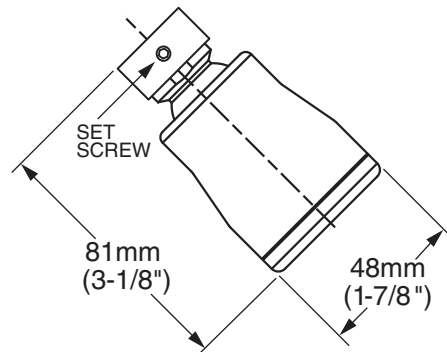
1660.731 Shown

**MODEL NUMBER:**

- 1660.731 FloWise® Water Saving Showerhead with Shower Arm & Flange
- 1660.710 FloWise® Water Saving Showerhead Only
- 1660.711 FloWise® Vandal Resistant Water Saving Showerhead Only



**VANDAL RESISTANT VERSION  
1660.711**



**GENERAL DESCRIPTION:**

Showerhead uses 40% less water than standard 2.5gpm showerheads. Showerhead rated at 1.5gpm/5.7L/min. maximum flow rate. Showerhead has single spray function using Turbine Technology. Pressure compensating flow control device. Vandal Resistant model includes tamper-proof metal sleeve with set screw to lock showerhead in place.

**PRODUCT FEATURES:**

- Water Saving:** Saves up to 40% in water usage.
- Pressure Compensating Flow Control Device:** Provides consistent flow over a wide pressure range.
- Single Function:** Showerhead provides drenching spray for full coverage of the user.

**SUGGESTED SPECIFICATION**

Showerhead shall save 40% in water usage. Showerhead shall always start at 1.5gpm/5.7L/min. Showerhead shall have a pressure compensating control device. Fitting shall be American Standard Model # 1660.7\_\_.



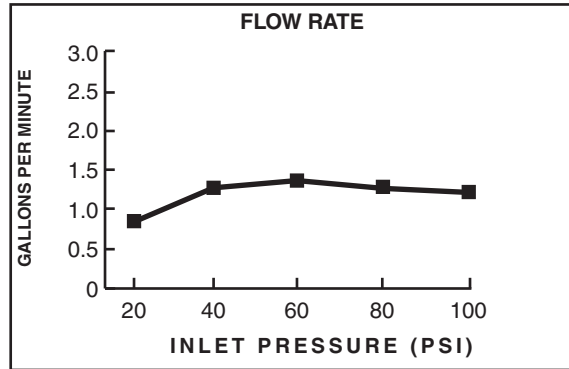
# FLOWISE®

## SINGLE FUNCTION WATER SAVING SHOWERHEAD

### CODES AND STANDARDS

These products meet or exceed the following codes and standards:

**ASME A112.18.1**  
**CSA 125.1**



Product Number	Description	Finish
		Polished Chrome
		002
1660.731	FloWise® Water Saving Showerhead. With Shower Arm & Flange.	
1660.710	FloWise® Water Saving Showerhead Only.	
1660.711	FloWise® Vandal Resistant Water Saving Showerhead Only.	