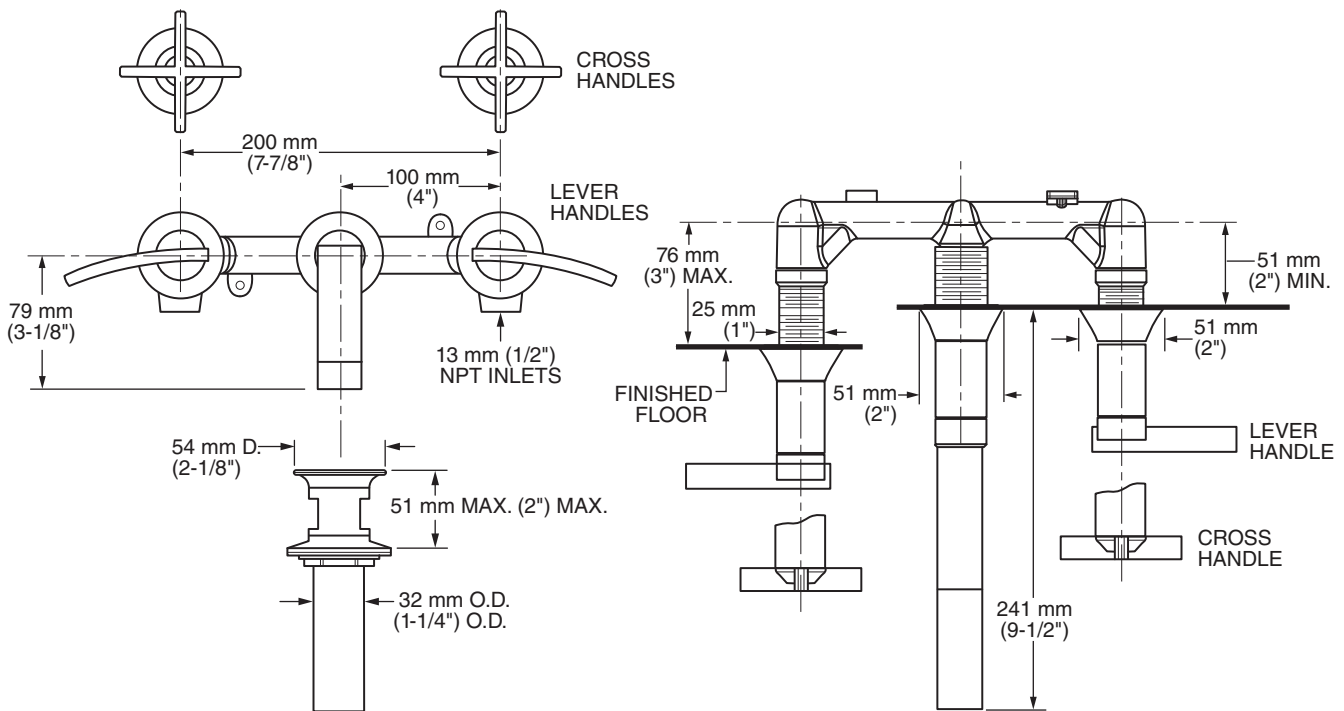




7430.451 Shown

MODEL NUMBER:

- 7430.451 Berwick Two-Handle Wall Mount Grid Drain. Metal level handles.
- 7430.471 Berwick Two-Handle Wall Mount Grid Drain. Metal cross handles.



GENERAL DESCRIPTION:

Cast brass valve body on 8" centers. 1/4 turn washerless ceramic disc valve cartridges. Brass spout, metal lever or metal cross handles. All brass grid drain body with 1-1/4" (32 mm) tailpiece. 1.2 gpm/4.5 L/min. maximum flow rate.

PRODUCT FEATURES:

Brass Construction: Durable. Easy to clean. Ideal for prolonged contact with water.

Ceramic Disc Valve Cartridge: Assures a lifetime of smooth handle operation and drip-free performance.

Lead Free: Faucet contains ≤ 0.25% total lead content by weighted average.

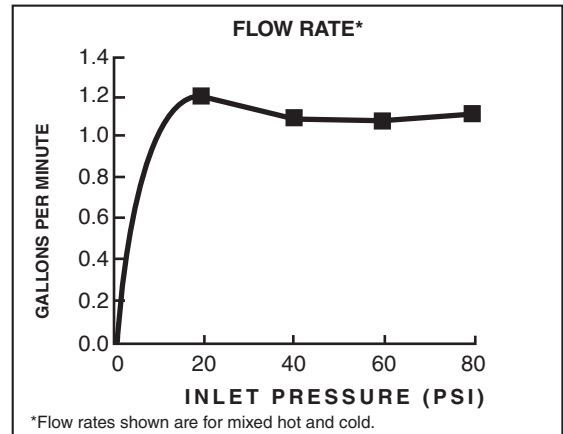
SUGGESTED SPECIFICATION

Two handle in-wall lavatory faucet shall feature cast brass valve body. Shall also feature 1/4 turn washerless ceramic disc valve cartridges. Fitting shall be American Standard Model #7430.____.

CODES AND STANDARDS

These products meet or exceed the following codes and standards:

- ASME A112.18.1**
- NSF 61/Section 9 and Annex G**
- CSA B125.1**



Product Number	Description	ADA	Finish Options	
			Polished Chrome	PVD Brushed Nickel
			002	295
7430.451	Berwick two-handle wall mount with grid drain. Metal level handles.	ADA		
7430.471	Berwick two-handle wall mount with grid drain. Metal cross handles.			

 Meets the American Disabilities Act Guidelines and **ANSI A117.1** Requirements for the physically challenged.