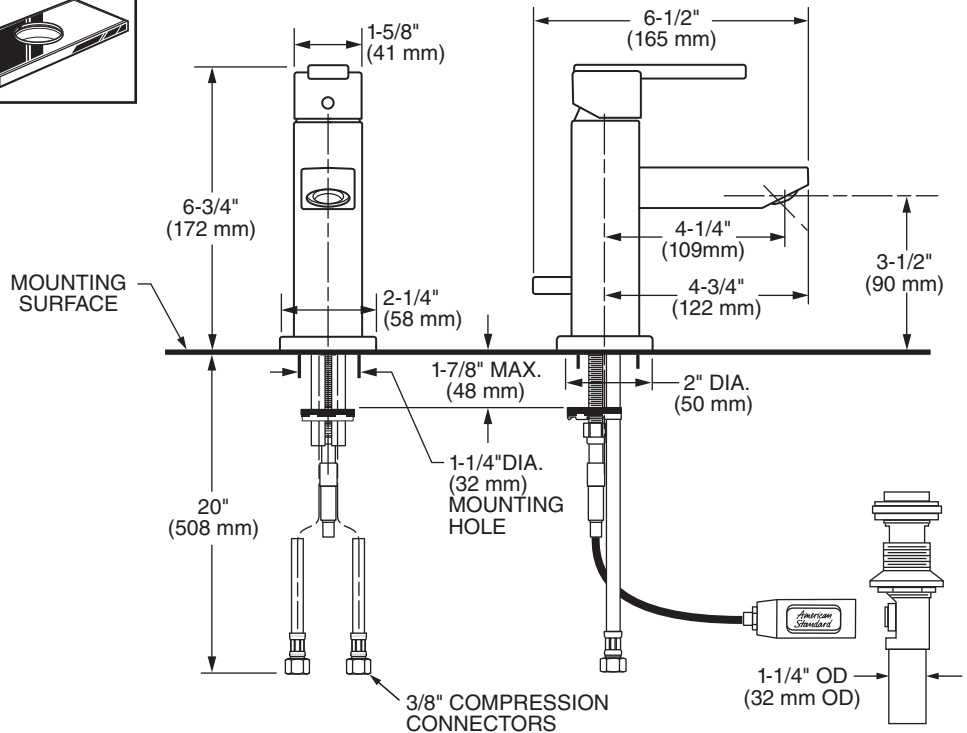
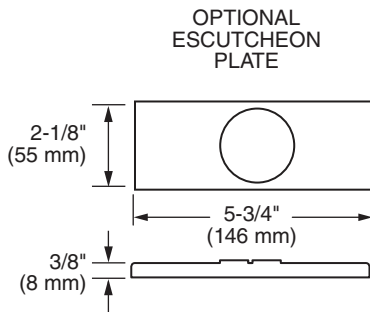


**MODEL NUMBER:**

- ❑ **7184.101 Times Square Single Control Monoblock**  
Metal lever handle. Metal Speed Connect® pop-up drain.

**AVAILABLE ACCESSORY:**

- ❑ **7184.101P Escutcheon Plate Only**



**GENERAL DESCRIPTION:**

All metal body. All metal handle. Washerless 35 mm ceramic disc valve cartridge with integral hot limit safety stop. Braided flexible supply hoses with 3/8" compression connectors. 20" (500 mm) long flexible stainless steel drain cable is pre-assembled to faucet body. Metal Speed Connect® drain body with 1-1/4" (32 mm) tail piece. 1.2 gpm/4.5 L/min. maximum flow rate. Fitting can be mounted on 4" centers using optional escutcheon (7184.101P) or single hole mounting method.

**PRODUCT FEATURES:**

**Ceramic Disc Valve Cartridge:** Assures a lifetime of smooth handle operation and drip-free performance.

**Adjustable Hot Limit Safety Stop:** Limits the amount of hot water allowed to mix with cold. Reduces the risk of accidental scalding.

**Exclusive Speed Connect Metal Drain:**

- Fewer parts. Installs in less time.
- No adjustments required - seals the first time, every time.
- Flexible stainless steel cable - installs effortlessly in tight spaces.

**Lead Free:** Faucet contains ≤ 0.25% total lead content by weighted average.

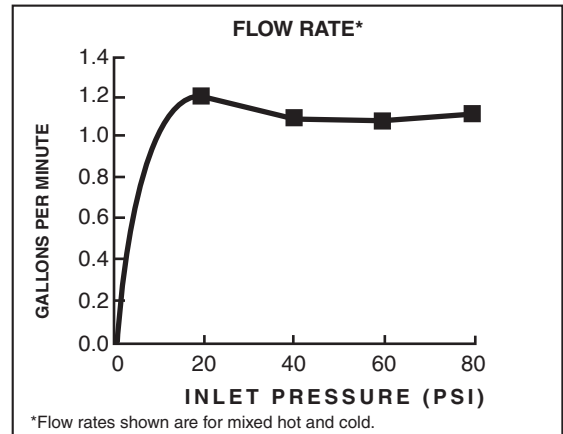
**SUGGESTED SPECIFICATION**

Single control lavatory faucet shall feature an all metal body with metal lever handle. Fitting shall be equipped with flexible supplies with 3/8" compression connectors. Shall also feature washerless ceramic disc valve cartridge with integral hot limit safety stop. Shall also feature a metal drain body with stainless steel cable actuation. Fitting shall be American Standard Model # 7184.101. \_ \_ \_ .

**CODES AND STANDARDS**

These products meet or exceed the following codes and standards:

- ANSI A117.1**
- ASME A112.18.1**
- NSF 61/Section 9 and Annex G**
- CSA B125.1**



Product Number	Description	Finish Options	
		Polished Chrome	PVD Brushed Nickel
		002	295
7184.101	Times Square™ Single Control Monoblock. Metal Speed Connect® pop-up drain.		
7184.101P	Optional Escutcheon Plate (for mounting on 4" centers).		

 Meets the American Disabilities Act Guidelines and **ANSI A117.1** Requirements for the physically challenged.