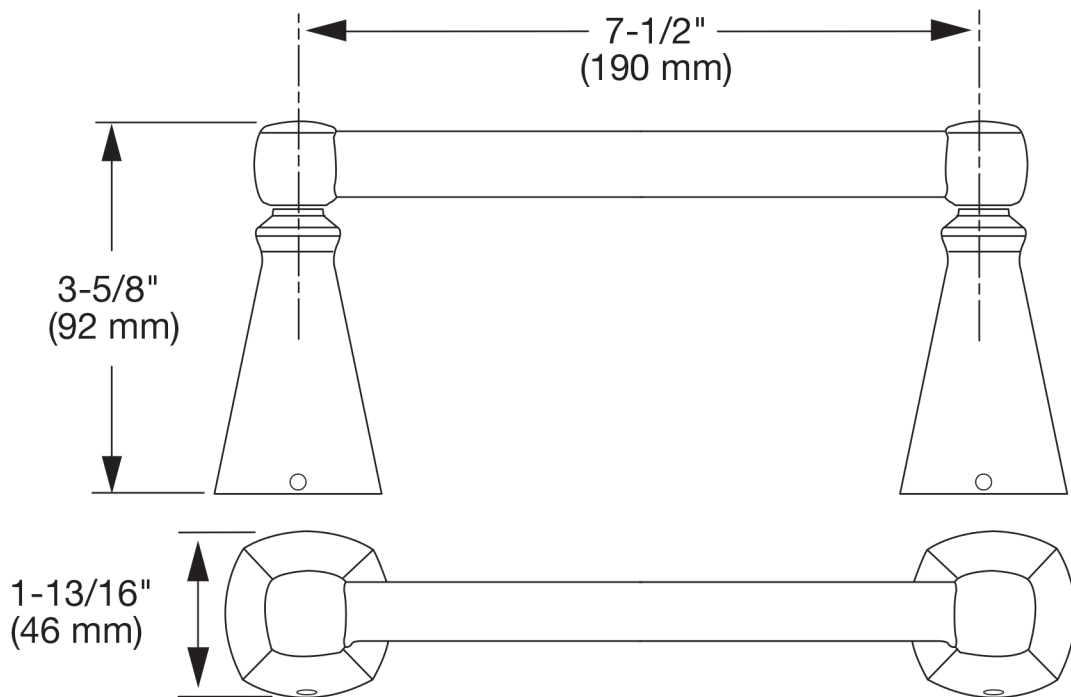


**MODEL NUMBER:**

☐ 7018.230 Toilet Paper Holder

**Available Finishes**

|     |                 |
|-----|-----------------|
| 002 | Polished Chrome |
| 278 | Legacy Bronze   |
| 295 | Brushed Nickel  |



**PRODUCT FEATURES:**

**Materials of Construction:**

- Arm pivots for easy roll replacement.
- Metal construction for durability and long life.

**Concealed Mounting:** No exposed set screws.

**Easy to Install:** Template included for mounting.

**SUGGESTED SPECIFICATION:**

Toilet Paper Holder shall feature metal construction. Shall feature concealed mounting with no exposed set screws. Toilet Paper Holder bar shall pivot. Toilet Paper Holder shall be American Standard Model # 7018.230.\_\_\_\_\_.