

**MADERA™ FloWise® 15" HEIGHT 1.28 GPF
FLUSHOMETER TOILET SYSTEM with EVERCLEAN®**

- ❑ **3451.528** 1.28 gpf 15" Height Top Spud Bowl and Selectronic® Flush Valve

BOWL:

- Floor mount elongated flushometer valve toilet
- Vitreous china
- High Efficiency. Operates in the range of 1.1 gpf to 1.6 gpf (4.2 Lpf to 6.0 Lpf)
- Permanent EverClean® surface inhibits the growth of stain- and odor-causing bacteria, mold, and mildew on the surface
- Fully glazed 2-1/8" trapway
- 10" or 12" roughing-in
- 15" rim height
- Condensation channel
- Powerful direct-fed siphon jet action
- 10" x 12" water surface area
- 1-1/2" inlet spud
- 100% factory flush tested
- Less toilet seat
- Model 3451.001

SELECTRONIC® FLUSH VALVE:

- Factory-Installed CR-P2 Lithium Battery
- Self-Cleaning Piston with integral wiper spring significantly reduces clogging and maintenance
- Selectronic® Proximity System with universal sensor provides hygienic, "hands free" operation
- State-of-the-Art Electronics prevent ghost flushing
- Dezincification Resistant semi-red brass alloy
- Fully Mechanical Manual Override Button can flush the valve without power
- Fail-Safe: Valve automatically closes upon loss of power or water pressure and does not need to be reset
- Adjustable Sanitary Flush cleans the fixture & maintains the trap seal.
- Chemical Resistant EPDM Seals for extended life
- Adjustable Tailpiece for rough-in flexibility
- Can be installed left or right handed
- Model 6065.121

Includes:

- 047007-0070A Inlet Spud (furnished with bowl)
- 481310-100 2 Bolt caps with retainers (furnished with bowl)
- 1" I.P.S. angle stop with back-flow protection and vandal resistant cap
- 1" Sweat solder kit including cover tube and wall flange
- 1-1/2" High back pressure vacuum breaker, spud coupling and flange



SEE REVERSE FOR ROUGHING-IN DIMENSIONS

High-Efficiency Toilet Systems:

- 20% water savings when compared to a 1.6 gpf toilet system

System MaP* Score:

- 1,000 grams of miso @ 1.28 gpf

* Maximum Performance (MaP) testing performed by IAPMO R&T Lab. MaP Report conducted by Veritec Consulting, Inc. and Koeller and Company.

BATTERY LIFE:

- 4 years @ 4,000 flushes per month

Operating Pressure:

25 psi (flowing) - 80 psi (static)

Flow Requirement:

25gpm (94.6 L/min.)

Nominal Fixture Dimensions:

718 x 356 x 381mm (28-1/4" x 14" x 15")

To Be Specified:

- ❑ Color: White
- ❑ Seat:
 - ❑ American Standard #5901.100
Heavy duty open front less cover
 - ❑ American Standard #5905.100
Extra heavy duty open front less cover

EVERCLEAN®
Surface



MADERA™ FloWise® 15" HEIGHT 1.28 GPF FLUSHOMETER TOILET SYSTEM

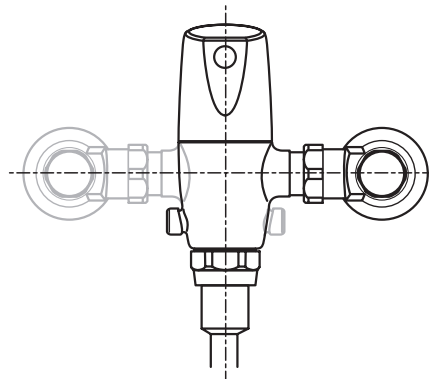
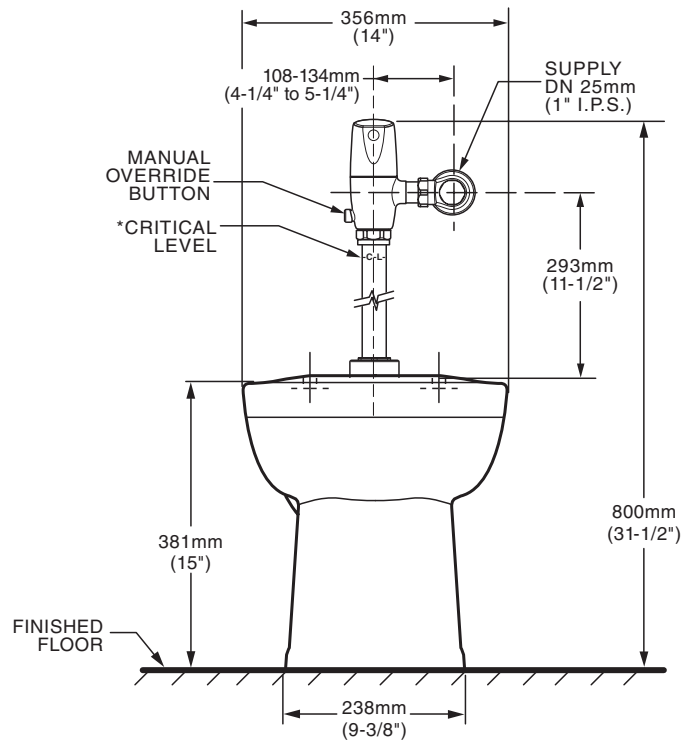
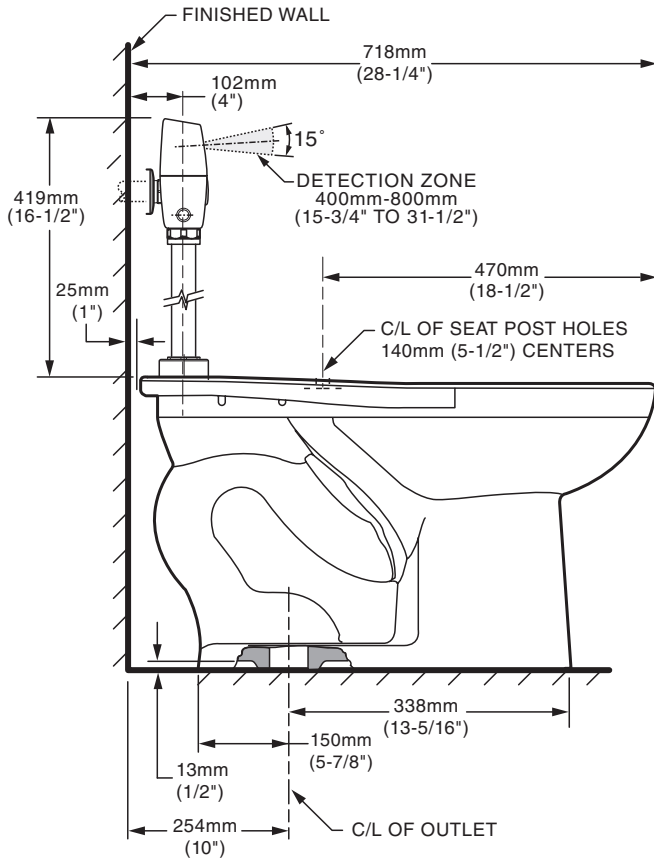
with EVERCLEAN®
SELECTRONIC® FLUSH VALVE

**Fixture Compliance Certifications -
Meets or Exceeds the Following Specifications:**

- ASME A112.19.2-2008 / CSA B45.1-08 for Vitreous China Fixtures

Valve Listings:

- ASSE 1037
- ANSI/ASME A112.19.2
- ADA Compliant



VALVE LEFT or RIGHT HAND INSTALLATION

*Note: The Critical Line (-C-L-) on Vacuum Breaker must typically be a minimum of 6" (152mm) above fixture. Consult Codes for details.

NOTES:

TO COMPLY WITH AREA CODE GOVERNING THE HEIGHT OF VACUUM BREAKER ON THE FLUSHOMETER VALVE, THE PLUMBER MUST VERIFY DIMENSIONS SHOWN FOR SUPPLY ROUGHING. THIS TOILET DESIGNED TO ROUGH-IN AT A MINIMUM DIMENSION OF 254MM (10") AND A MAXIMUM DIMENSION OF 305MM (12") FROM FINISHED WALL TO C/L OF OUTLET.

FLUSHMETER VALVE REQUIREMENTS FOR 12" (305MM) ROUGH-IN: SWEAT EXTENSION NIPPLE IS REQUIRED. REFER TO VALVE MANUFACTURER AND LOCAL CODES

IMPORTANT: Dimensions of fixtures are nominal and may vary within the range of tolerances established by ANSI Standard A112.19.2. These measurements are subject to change or cancellation. No responsibility is assumed for use of superseded or voided pages.