

TWO-HANDLE 8" WIDESPREAD LAVATORY FAUCET
6" WRIST BLADE HANDLES AND RIGID/SWIVEL GOOSENECK SPOUT WITH 5" REACH

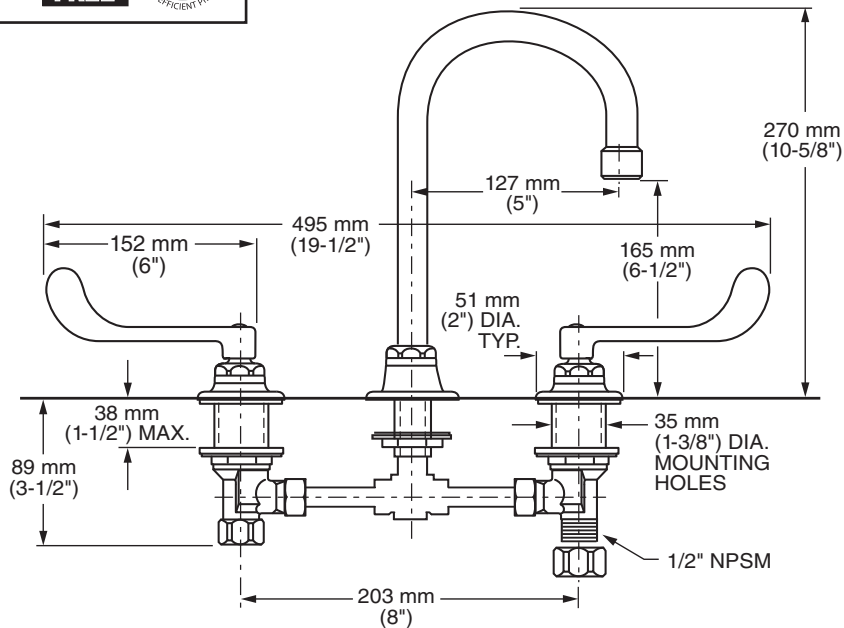


6540.170 Shown

MODEL NUMBER:

❑ 6540.160 Widespread Lavatory with 6" Wrist Blade Handles

1.5 gpm Pressure compensating aerator. Convertible rigid/swivel gooseneck spout. Vandal-resistant 6" wrist blade handles. Less drain and pop-up hole.



GENERAL DESCRIPTION:

Durable cast brass construction. Cast brass valve bodies with 8" rigid copper connection with compression fittings. 1/2" male threaded inlet shanks with brass coupling nuts. 1/4 turn ceramic disc valve cartridges. Field-convertible rigid/swivel gooseneck spout. Vandal-Resistant 6" Wrist Blade handles with blue & red color indexes.

PRODUCT FEATURES:

Pressure Compensating Aerator: Provides a constant water flow of 1.5 gpm throughout the pressure range.

Solid Brass Construction: Durable. Excellent in high use applications. Ideal for prolonged contact with water.

Ceramic Disc Valve Cartridges: Assure a lifetime of drip-free performance.

Field-Convertible Rigid/Swivel Spout with 8" Reach: Easily converted in the field.

Lead Free: Faucet contains ≤ 0.25% total lead content by weighted average.

SUGGESTED SPECIFICATION

Two handle widespread lavatory faucet shall feature cast brass valve bodies with 8" rigid copper connection. Shall feature water-conserving 1.5 gpm/5.7 L/min. pressure compensating aerator. Vandal-Resistant 6" wrist blade handles. Shall also feature 1/4 turn washerless ceramic disc valve cartridges. Shall also feature convertible rigid/swivel spout. Fitting shall be American Standard Model # 6540.160.002.



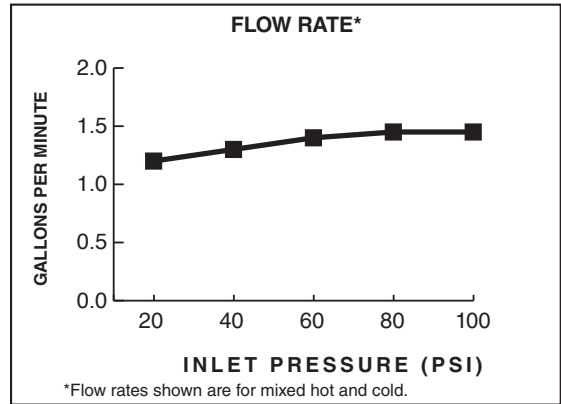
MONTERREY®

**TWO-HANDLE 8" WIDESPREAD LAVATORY FAUCET
6" WRIST BLADE HANDLES AND RIGID/SWIVEL GOOSENECK SPOUT WITH 5" REACH**

CODES AND STANDARDS

These products meet or exceed the following codes and standards:

- ASME A112.18.1**
- CSA B125.1**
- NSF 372**



| Product Number | Description | Finish |
|----------------|--|-----------------|
| | | Polished Chrome |
| | | 002 |
| 6540.160 | Widespread Lavatory with field-convertible rigid/swivel gooseneck spout. 1.5 gpm/5.7 L/min pressure compensating aerator. Vandal-resistant 6" wrist blade handles. Less drain and pop-up hole. | |



MEETS THE AMERICANS WITH DISABILITIES ACT GUIDELINES AND ANSI A117.1 REQUIREMENTS FOR ACCESSIBLE AND USABLE BUILDING FACILITIES-CHECK LOCAL CODES

Other Aerators Available:

| Part Suffix | Description |
|-------------|--|
| LV15 | 1.5 gpm (5.7 Lpm) Vandal-Resistant PCA Non-Aerated Laminar Flow Outlet |
| V15 | 1.5 gpm (5.7 Lpm) Vandal-Resistant PCA Aerator |
| LV10 | 1.0 gpm (3.8 Lpm) Vandal-Resistant PCA Non-Aerated Laminar Flow Outlet |
| V10 | 1.0 gpm (3.8 Lpm) Vandal-Resistant PCA Aerator |
| V05* | 0.5 gpm (1.9 Lpm) Vandal-Resistant PCA Multi-Laminar Spray |
| V035* | 0.35 gpm (1.3 Lpm) Vandal-Resistant PCA Multi-Laminar Spray |

PCA - Pressure Compensating

*Meet CALGreen Code