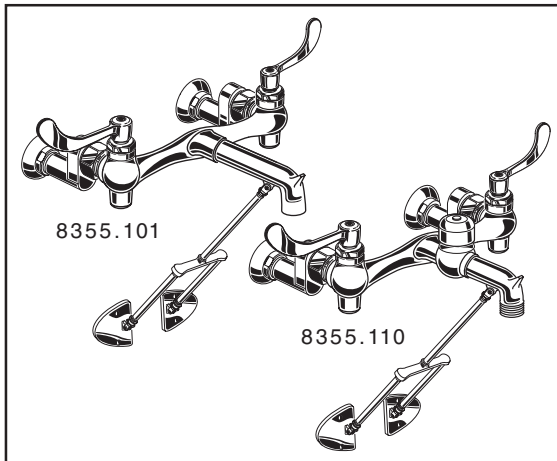
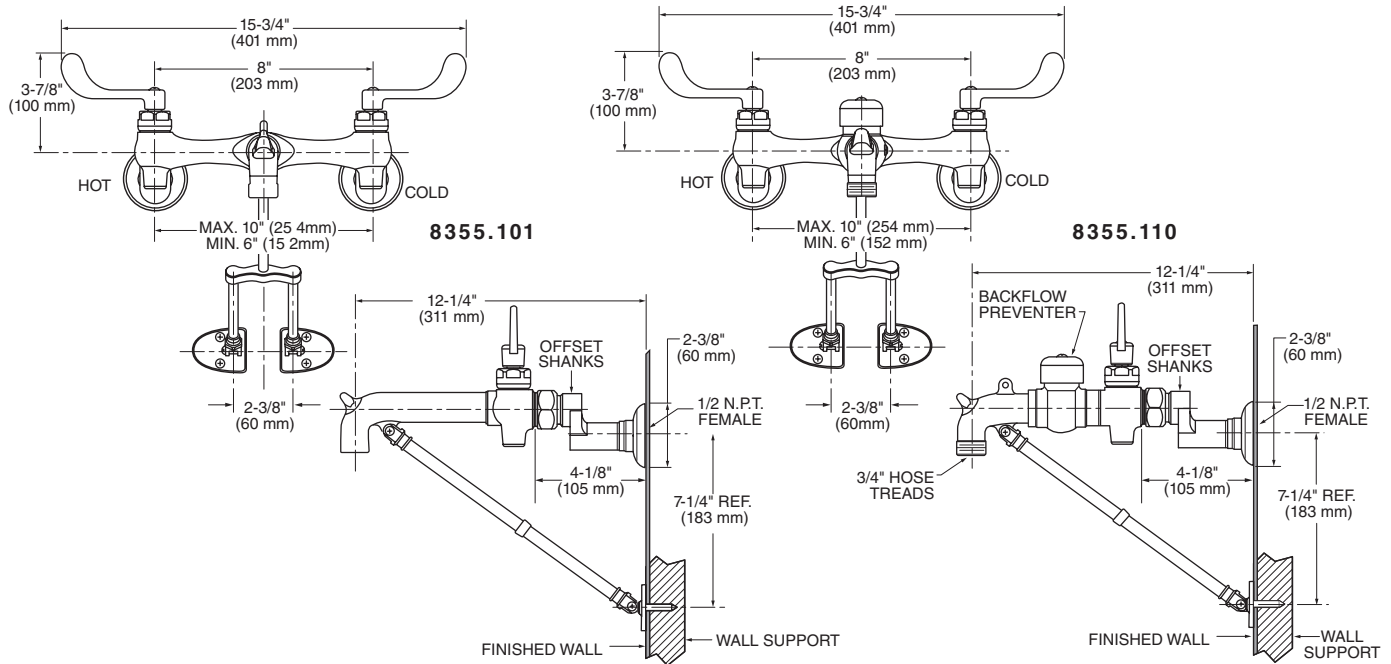


EXPOSED YOKE WALL-MOUNT UTILITY FAUCET
WITH BOTTOM FORK BRACE & OFFSET SHANKS



MODEL NUMBER:

- ❑ **8355.101 Exposed Yoke Wall-Mount Utility Faucet**
Bottom fork brace. Cast brass spout with plain end. Ceramic disc valves. Integral supply stops. Offset shanks with integral check valves. Vandal-resistant Wrist Blade Handles. Bucket hook. 1/2" NPT female inlets. Adjustable centers-to-centers: 6"-10" (152 - 254 mm).
- ❑ **8355.110 Exposed Yoke Wall-Mount Utility Faucet with Vacuum Breaker**
Bottom fork brace. Cast brass spout with vacuum breaker. Ceramic disc valves. Integral supply stops. Offset shanks with integral check valves. Vandal-resistant Wrist Blade Handles. Bucket hook. 3/4" threaded hose end. 1/2" NPT female inlets. Adjustable centers-to-centers: 6"-10" (152 - 254 mm).



GENERAL DESCRIPTION:

Cast brass body. Metal wrist blade handles with red and blue color indicators and vandal-resistant screws. 1/4 turn ceramic disc valve cartridges. Brass spout with bucket hook, bottom fork braced to wall. Integral supply stops. Vacuum breaker (on model 8355.110) prevents backflow. Offset shanks with integral check valves to prevent cross-flow. 1/2" female inlets with adjustable centers from 6" to 10" (152mm to 254mm).

PRODUCT FEATURES:

- Cast Brass Construction:** Durable - Excellent in high use applications.
- Ceramic Disc Valve Cartridges:** Assure a lifetime of drip-free performance.
- Integral Supply Stops:** Permits easy and convenient access.
- Offset Shanks with Integral Check Valves:** Adjustable rough-in from 6 to 10 inches.
- Bottom Brace:** Provides additional support.

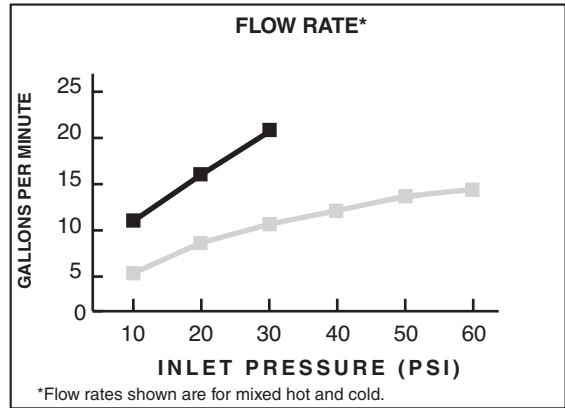
SUGGESTED SPECIFICATION

Exposed yoke wall-mount utility faucet shall feature a cast brass body with integral supply stops. Cast brass spout with bucket hook, bottom brace and vandal-resistant metal wrist blade handles. Offset shanks with integral check valves to prevent cross-flow, provide adjustable rough-in from 6"-10" (152mm to 254mm). Shall also feature 1/4 turn washerless ceramic disc valve cartridges. Fitting shall be American Standard Model # 8355.____.002.

CODES AND STANDARDS

These products meet or exceed the following codes and standards:

- ASME A112.18.1**
- CSA B 125**
- ANSI A117.1**



*Flow rates shown are for mixed hot and cold.

- - Flow rates for 8355.101
- - Flow rates for 8355.110

Product Number	Description	Finish
		Polished Chrome 002
8355.101	Exposed yoke wall-mount utility faucet. Bottom fork brace. Ceramic disc valves. Cast brass spout with plain end. Integral supply stops. Offset shanks with integral check valves. Vandal-resistant wrist blade handles.	
8355.110	Exposed yoke wall-mount utility faucet. Bottom fork brace. Ceramic disc valves. Cast brass spout with threaded end. With Vacuum Breaker. Offset shanks with integral check valves. Vandal-resistant wrist blade handles.	

 Meets the American Disabilities Act Guidelines and **ANSI A117.1** Requirements for the physically challenged.