

4" Deck Plate

8" Deck Plate

GENERAL DESCRIPTION:

Forged brass deck plate for use with single post Selectronic & Metering faucets. Center fixation ring prevents the faucet spout from rotating. 1/4" fixation bolts with quick spin nuts secure the plate to the deck.

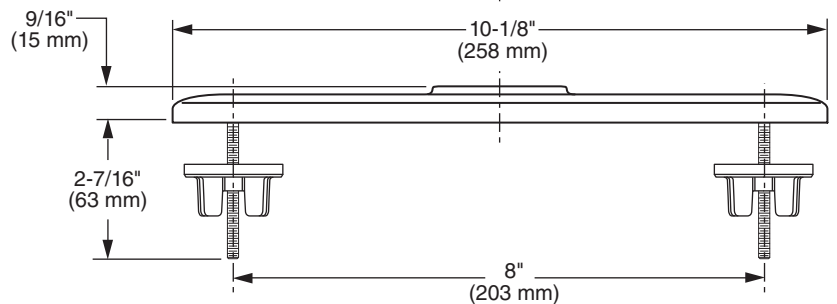
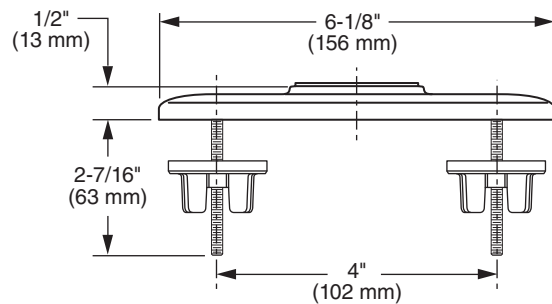
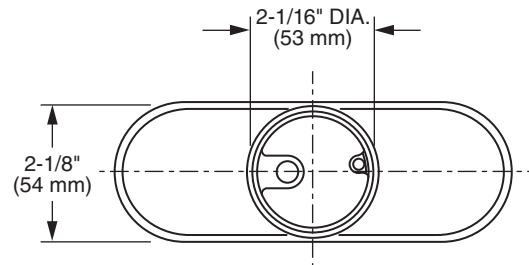
PRODUCT FEATURES:

- For use with single post Selectronic & Metering faucets
- Forged brass construction
- Center fixation ring prevents the faucet spout from rotating
- 1-1/4" fixation bolts with quick spin nuts secure the plate to the deck
- **4" Deck Plate Dimensions:** 6-1/8" x 2-1/8" x 1/2"
(156 x 54 x 13 mm)
- **8" Deck Plate Dimensions:** 10-1/8" x 2-3/8" x 9/16"
(258 x 59 x 15 mm)

FINISHES:	
Polished Chrome	.002
Brushed Nickel	.295

MODEL NUMBER:

- ❑ **605P.400 4" Deck Plate**
Forged brass with 1/4" fixation bolts.
Polished Chrome finish.
- ❑ **605P.800 8" Deck Plate**
Forged brass with 1/4" fixation bolts.
Polished Chrome finish.



SUGGESTED SPECIFICATION

The deck plate shall be forged brass construction with center fixation ring to prevent the faucet spout from rotating. 1/4" fixation bolts with quick spin nuts. Fitting shall be American Standard Model # 605P_00.002.