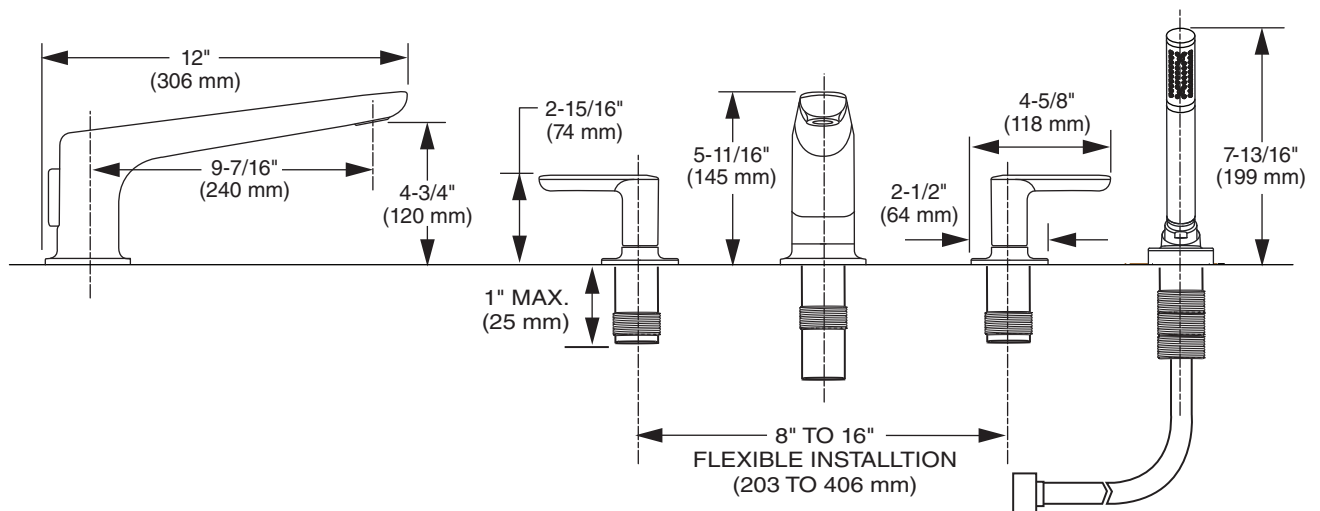


**MODEL NUMBER:**

- **T105900 Roman Tub Filler Trim**  
LESS Personal Shower
- **T105901 Roman Tub Filler Trim**  
WITH Personal Shower

**For use with Flash™ rough valves**



**GENERAL DESCRIPTION:**

Installs with Flash Rough valve platform. Washerless 1/4 turn ceramic disc valve cartridges. Durable brass spout. Metal lever handles. Trim kit provides an additional 1" installation adjustability for finished deck.

**PRODUCT FEATURES:**

**Brass Construction:** Durable. Ideal for prolonged contact with water.

**Ceramic Disc Valve Cartridge:** Assures a lifetime of drip-free performance.

**SUGGESTED SPECIFICATION**

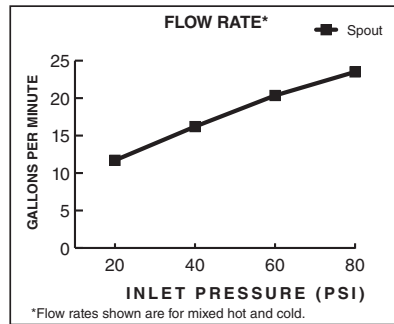
Two handle deck-mount tub filler shall feature cast brass construction. Shall also feature 1/4 turn washerless ceramic disc valve cartridges. Fitting shall be American Standard Model # T10590\_.\_.\_.\_.

**CODES AND STANDARDS**

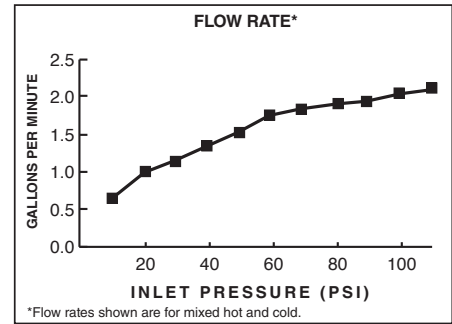
These products meet or exceed the following codes and standards:

**ASME A112.18.1**  
**CSA B125.1**

Check local plumbing codes.  
Some installations may require a vacuum breaker.



**TUB SPOUT FLOW**



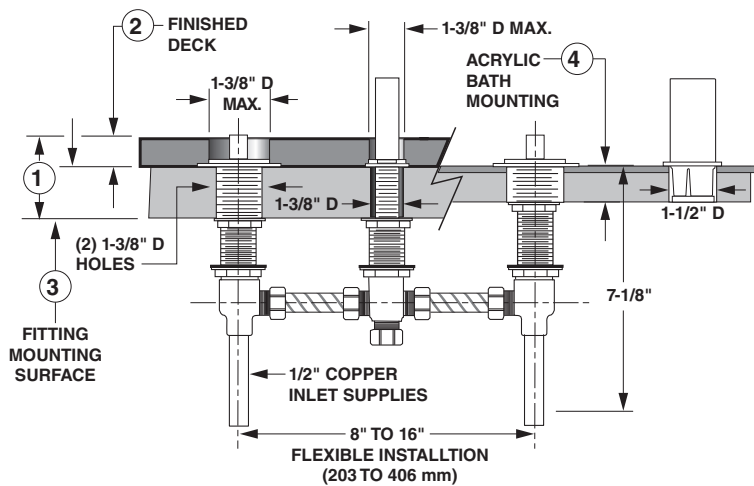
**HAND SHOWER FLOW**

Product Number	Description	Finish Options		
		Polished Chrome	Brushed Nickel	Matte Black
T105900	Roman Tub Filler Trim LESS Personal Shower.	002	295	243
T105901	Roman Tub Filler Trim WITH Personal Shower.			

Meets the American Disabilities Act Guidelines and **ANSI A117.1** Requirements for the physically challenged.

**R900 Flash™ Roman Tub Filler**  
**Rough Body – Less Personal Shower**

**R910 Flash Roman Tub Filler**  
**Rough Body – WITH Personal Shower**



- 1. DECK THICKNESS**  
TOTAL DECK THICKNESS UP TO 2-1/2"
- 2. FINISHED DECK**  
FINISHED DECK VARIABILITY ACCOMMODATES DECKING MATERIAL (TILE, MARBLE, CORIAN®...) TO 1" THICK
- 3. FITTING MOUNTING SURFACE**  
ADJUSTABILITY, TO 1-1/2" THICK
- 4. ACRYLIC BATHS**  
ADJUSTABILITY, TO 1-1/2" THICK

