

PRODUCT FEATURES:

- Hands-free infrared sensor-operated gear actuator with chrome plated metal housing
- **Angled Sensor** delivers reliable flush even with toilet seat in raised position
- **Self-cleaning brass piston** with integral wiper spring prevents clogging and valve run-on
- **Electronic courtesy flush** button
- **Optional Sanitary Flush:** Automatic flush after 24 hours of non-use
- **Object Detection Indicator:** LED blinks when user or object is detected
- **User in View Indicator:** Green LED flashes 3 times after user is detected for 5 seconds
- **Low Battery Indicator:** Yellow LED flashes when batteries need to be replaced
- **Easy Battery Replacement:** Water does not need to be shut off to change batteries
- Chloramine-resistant EPDM seals
- No external volume adjustment
- Can be installed left or right handed
- Installation tools included

MODEL NUMBER:

- ❑ **6047SM.111** Manual Flush Valve with Side-Mount Operator for 1-1/2" flushometer bowl, 1.1 gpf
- ❑ **6047SM.121** Manual Flush Valve with Side-Mount Operator for 1-1/2" flushometer bowl, 1.28 gpf
- ❑ **6047SM.161** Manual Flush Valve with Side-Mount Operator for 1-1/2" flushometer bowl, 1.6 gpf

OPERATING PRESSURE:

25 psi (flowing)-80 psi (static)

FLOW REQUIREMENT:

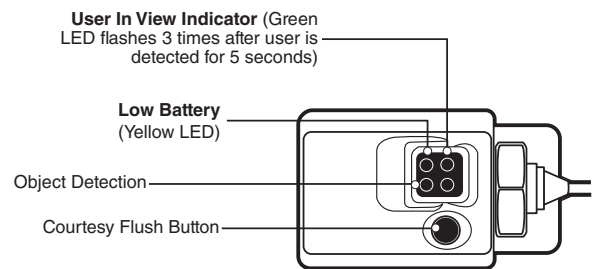
25 gpm (94.6 L/min.)

BATTERY LIFE:

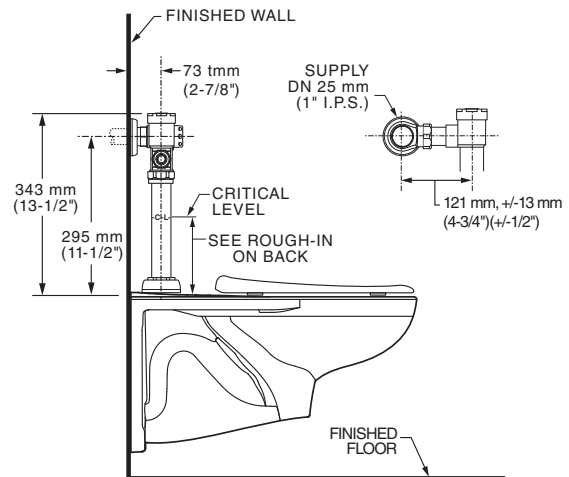
100,000 flushes (3+ years @ 3,000 flushes per month)
(4) "C" alkaline batteries included

ADJUSTABLE RANGE:

8" to 48" (32" default)



**TYPICAL WATER CLOSET INSTALLATION:
AFWALL™ TOILET SHOWN**



RECOMMENDED SPECIFICATION:

Toilet flush valve includes sensor-operated gear actuator with metal casing. Brass valve body and cover with chrome finish. Features self-cleaning brass piston valve with integral wiper spring in bypass orifice to prevent clogging. Valve closes and does not need to be reset after loss of water pressure. Includes sweat solder kit with wall flange and cover tube. Vacuum breaker and angle stop with vandal resistant cap and back-flow protection included.

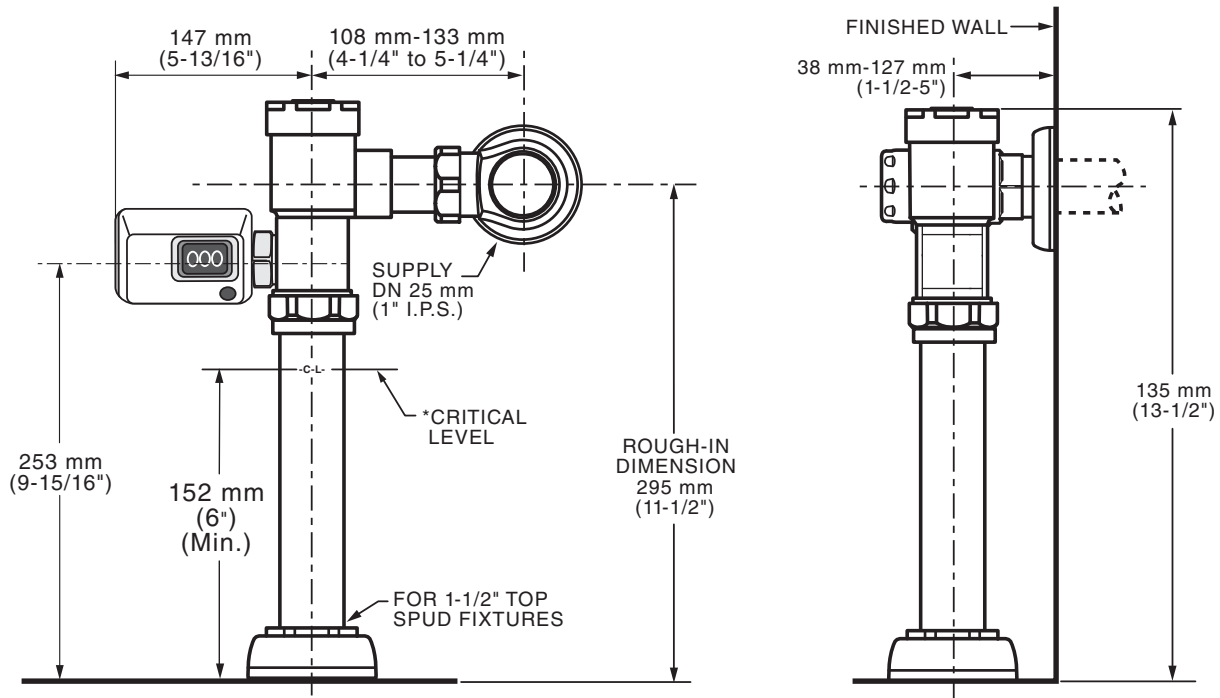
LISTINGS:

- ASSE 1037
- ANSI/ASME A112.19.2
- ADA Compliant

INCLUDES:

- 1" I.P.S. angle stop with back-flow prevention and vandal-resistant cap
- Sweat solder kit including cover tube and wall flange
- High back pressure vacuum breaker with down tube
- Spud coupling & flange for 1-1/2" top spud

Roughing-in Dimensions



*Note: The Critical Line (-C-L-) on Vacuum Breaker must typically be 6" (152mm) minimum above fixture. Consult Codes for details.

Right or Left Hand Installation

