

**EDGEMERE® RIGHT HEIGHT® ROUND FRONT
12" ROUGH TOILET**

□ 204BA.104

- Combination bowl and tank, less seat
- 12" (305 mm) rough-in
- High efficiency, ultra-low consumption (1.28 gpf/ 4.8 Lpf), utilizes 20% less water
- Meets EPA WaterSense® criteria
- PowerWash® rim scrubs bowl with each flush
- Chrome trip lever
- Includes EZ-Install Tools
- EverClean® Antimicrobial Surface
- 16-1/2" (419 mm) rim height for accessible applications
- 2" (51 mm) fully glazed trapway
- 9" x 8" (229 x 203 mm) water surface area
- 3" (76 mm) flush valve
- Five-year warranty
- Best 1,000g MaP Flush score**
- Design coordinates with Edgemere Suite of fixtures

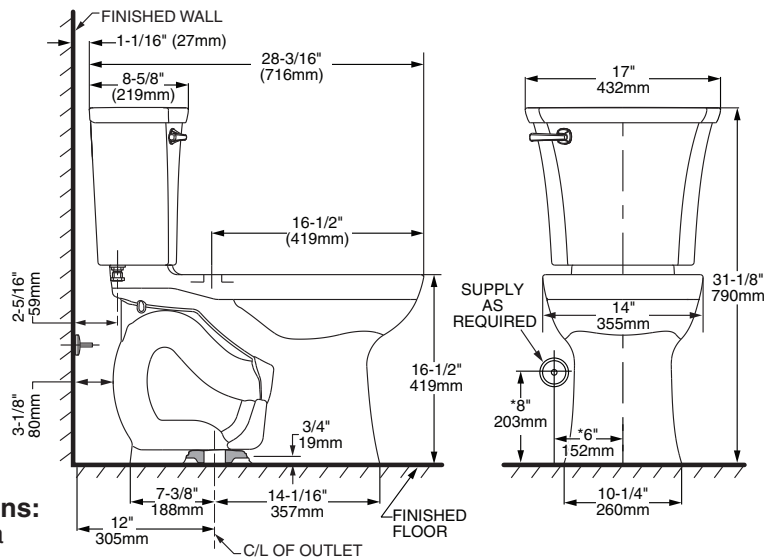


- **3519B.101** Right Height® Round Front Bowl
- **4519A.104** Tank

Nominal Dimensions:
28-3/16" x 17" x 31-1/8"
(716 x 432 x 790mm)

Fixture only, seat and supply sold separately

- Compliance Certifications -
Meets or Exceeds the Following Specifications:**
- ASME A112.19.2/CSA B45.1 for Vitreous China Fixtures
 - US EPA WaterSense® Specification for HETs



NOTES:
THIS TOILET IS DESIGNED TO ROUGH-IN AT A MINIMUM DIMENSION OF 305MM (12") FROM FINISHED WALL TO C/L OF OUTLET.
SUPPLY NOT INCLUDED WITH FIXTURE AND MUST BE ORDERED SEPARATELY.
* DIMENSION SHOWN FOR LOCATION OF SUPPLY IS SUGGESTED.

IMPORTANT: Dimensions of fixtures are nominal and may vary within the range of tolerances established by ANSI Standard A112.19.2. These measurements are subject to change or cancellation. No responsibility is assumed for use of superseded or voided pages.

To Be Specified:

- Color: □ White
- Seat: American Standard #5259B.65C solid plastic closed round front seat with cover
- Supply with stop:

** Maximum Performance (MaP) testing performed by IAPMO R&T Lab. MaP Report conducted by Gauley Associates Ltd. and Koeller and Company.

ADA MEETS THE AMERICANS WITH DISABILITIES ACT GUIDELINES AND ICC ANSI A117.1 REQUIREMENTS FOR ACCESSIBLE AND USABLE BUILDING FACILITIES-CHECK LOCAL CODES.

