



PRODUCT FEATURES:

- **Flexible Selectronic® Platform** with programmable, multi-function sensor.
- **Hygienic, touch-free operation**
- **Easy & Flexible Installation:** Single post mounting with optional 4" & 8" deck plate. Water resistant solenoid enclosure mounts to wall.
- **Durable Vandal-Resistant Brass Body:** Ideal for high-use commercial applications.
- **Self-Cleaning Solenoid Valve:** Wiper spring prevents clogging
- **Easy to Service Integrated Strainer:** Patented integrated strainer protects solenoid from debris. Strainer is enclosed in removable debris cup for easy service.
- **Optional Auto Purge Feature:** Faucet can be programmed to open at a pre-determined time after last use to purge the faucet and water lines.
- **Safety Timer:** Helps prevent vandalism by turning off the faucet if the sensor is covered for 55 seconds or more. Timing is adjustable with optional remote control.
- **Adjustable Range:** Detection zone can be adjusted manually or with optional remote control.
- **Fail-Safe:** Faucet automatically shuts off upon loss of power or dead battery. Prevents costly excess water usage and potential flooding.
- **Lead-Free:** Faucet contains $\leq 0.25\%$ total lead content by weighted average.

GENERAL DESCRIPTION:

Electronic faucet with proximity operation. Vandal-resistant cast brass spout with single post mounting. Water pressure range from 20 to 125 psi. Single inlet. 18" flexible stainless steel inlet hose with 3/8" compression fitting for connection to control box.

MODEL NUMBER:



■ **PWRX™ 10 YEAR BATTERY POWERED**

- 6053.105** 0.5 GPM pressure compensating, vandal-resistant multi-laminar spray.
- 6053.104** 0.35 GPM pressure compensating, vandal-resistant multi-laminar spray. Faucet is factory set for 7.5 second running time to deliver 0.044 gallons per cycle.
- 6053.102** 1.5 GPM pressure compensating, vandal-resistant aerator.

■ **DC (CR-P2 LITHIUM BATTERY) POWERED**

- 6055.105** 0.5 GPM pressure compensating, vandal-resistant multi-laminar spray.
- 6055.104** 0.35 GPM pressure compensating, vandal-resistant multi-laminar spray. Faucet is factory set for 7.5 second running time to deliver 0.044 gallons per cycle.
- 6055.102** 1.5 GPM pressure compensating, vandal-resistant aerator.

■ **OPTIONAL 4" or 8" Deck plates**

- 605P.400** 4" brass deck plate with 1/4" fixation studs and quick spin nuts. (6-1/8" x 2-1/8" x 1/2")
- 605P.800** 8" brass deck plate with 1/4" fixation studs and quick spin nuts. (10-1/8" x 2-3/8" x 1/2")

■ **OPTIONAL Mixing Valve**

- 605XTMV1070** Thermostatic mixing valve. 20" flexible stainless steel inlet hoses with 3/8" compression fittings. ASSE 1070 certified down to 0.35 gpm.

POWER OPTIONS:

• **PWRX™ 10 Year Battery System:**

Battery Life - 480,000 cycles (10 years @ 4,000 cycles per month). Advanced battery & electronics reduce the downtime and maintenance costs associated with changing batteries. Safety Circuitry prevents overheating in case of short circuit and protects the electronics from damage.

- **DC (Battery):** Includes CR-P2 lithium battery. Battery Life - 192,000 cycles (4 years @ 4,000 cycles per month).

RECOMMENDED SPECIFICATION:

Electronic, sensor-operated lavatory faucet shall feature a programmable, multi-function sensor and an electronically operated self-cleaning solenoid valve. Shall also feature a vandal resistant all brass body with single inlet and in-line strainer. Shall meet ANSI A112.18.1 and ANSI 117.1 codes. Fitting shall be American Standard Model # 605_10_.

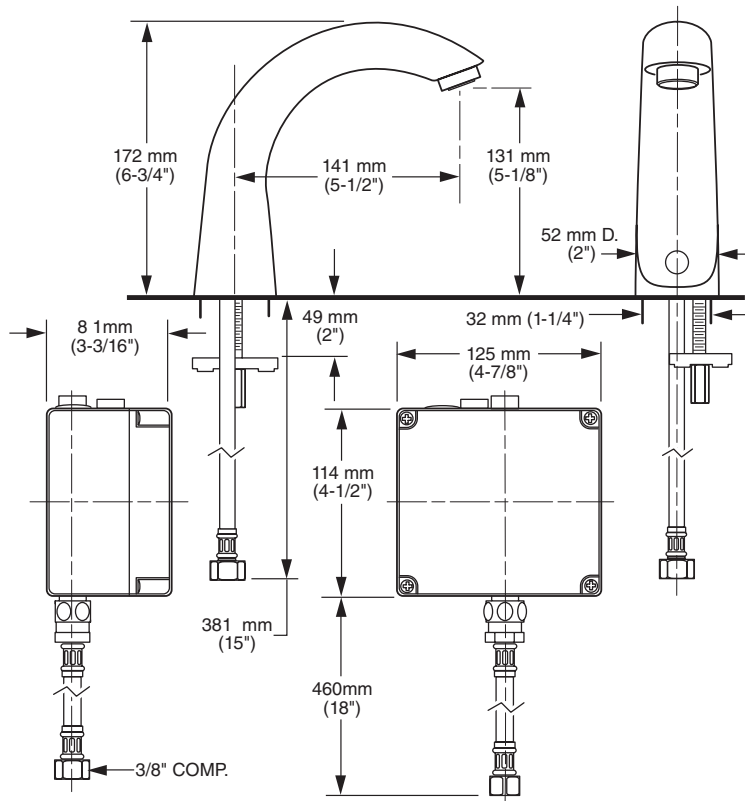
CODES AND STANDARDS


These products meet or exceed the following codes and standards:

- ANSI A117.1
- ASME A112.18.1
- CSA B125.1
- NSF 372

Other Aerators Available:	
Part Suffix	Description
LV15	1.5 gpm (5.7 Lpm) PCA Vandal-Resistant Non-Aerated Laminar Flow Outlet
LV10	1.0 gpm (3.8 Lpm) PCA Vandal-Resistant Non-Aerated Laminar Flow Outlet
V10	1.0 gpm (3.8 Lpm) PCA Vandal-Resistant Aerator
V035*	0.35 gpm (1.3 Lpm) PCA Vandal-Resistant Non-Aerated Spray

PCA - PRESSURE COMPENSATING
 *MEETS CAL GREEN CODE



 Meets the American Disabilities Act Guidelines and ANSI A117.1 Requirements for accessible and usable building facilities - check local codes

PART OF LIXIL