



LUCERNE™ WALL-HUNG LAVATORY

- Wall-hung sink
- Vitreous china
- Front overflow
- D-shaped bowl
- Self-draining deck area with contoured back and side splash shields
- Faucet ledge
- Compliant with Texas accessibility standard (TAS) for children age group 13 and up

Faucet holes on 203mm (8") centers (Illus.):

- 0356.028** For exposed bracket support
Shown with 4801.862 Amarilis Heritage faucet with Triune Cross handles (not included)
- 0356.015** For wall hanger (included) or concealed arms support
- 0356.915** For wall hanger (included) or concealed arms support
 - Less overflow

Faucet holes on 102mm (4") centers:

- 0355.027** For exposed bracket support
- 0355.012** For wall hanger (included) or concealed arms support
- 0355.912** For wall hanger (included) or concealed arms support
 - Less overflow

Single center faucet hole (Illus.):

- 0356.041** For exposed bracket support
Shown with 1340.000 metering faucet (not included)
- 0356.421** For wall hanger (included) or concealed arms support
- 0356.921** For wall hanger (included) or concealed arms support
 - Less overflow
- 0356.439** For wall hanger (included) or concealed arms support
 - Single faucet hole on right
- 0356.066** For exposed bracket support
 - Single faucet hole on right

Nominal Dimensions:

521 x 464mm
(20-1/2" x 18-1/4")

Bowl sizes:

381mm (15") wide
254mm (10") front to back
165mm (6-1/2") deep

Compliance Certifications -

Meets or Exceeds the Following Specifications:

- ASME A112.19.2 / CSA B45.1 for Vitreous China Fixtures



0356.028



0356.041

SEE FOLLOWING PAGES FOR ROUGHING-IN DIMENSIONS

To Be Specified:

- Color: White
- Faucet*:
- Faucet Finish:
- Supplies:
- 1-1/4" Trap:
- Nipple:
- Bracket Support (by others):
- Concealed Arms Support (by others):

* See faucet section for additional models available

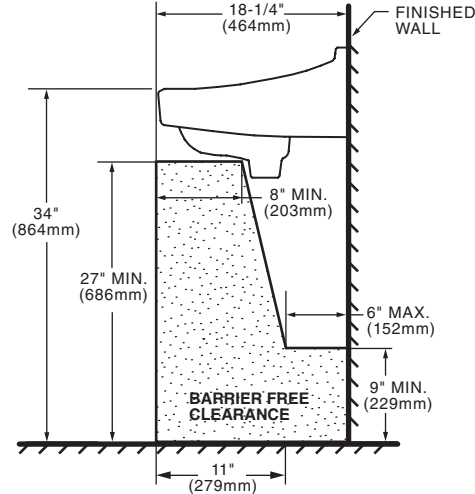
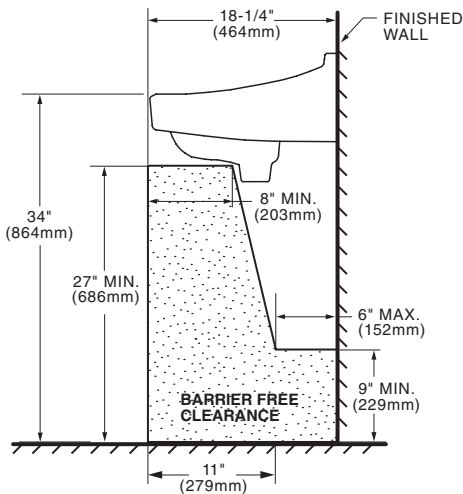
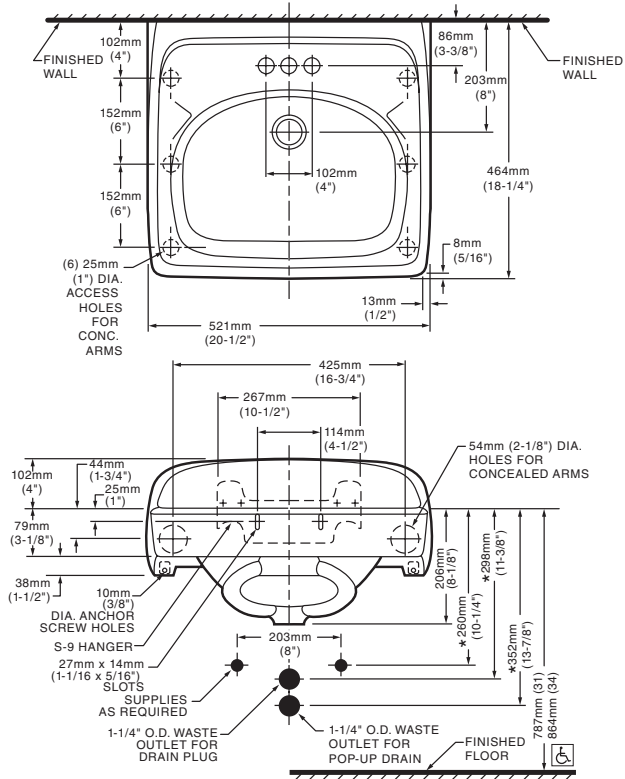
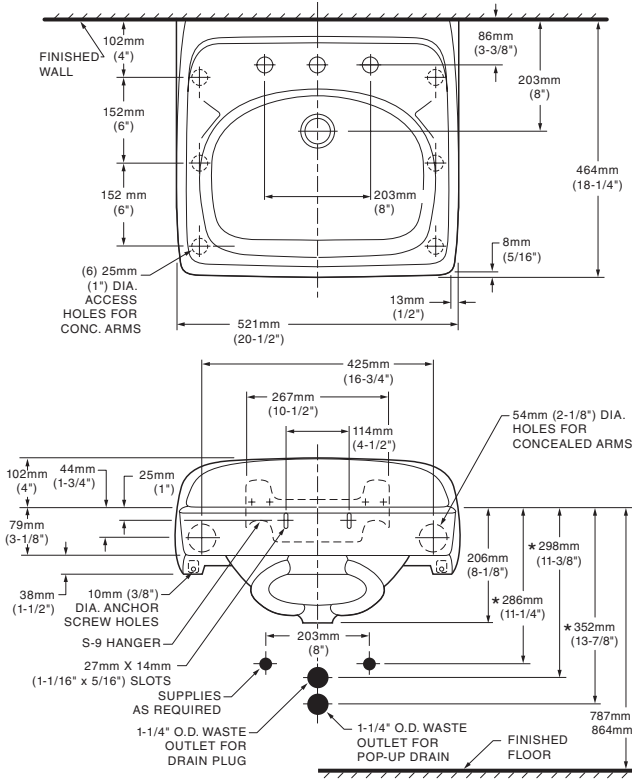


**MEETS THE AMERICANS WITH DISABILITIES ACT GUIDE-
LINES AND ANSI A117.1 ACCESSIBLE AND USABLE
BUILDINGS AND FACILITIES - CHECK LOCAL CODES.**

Top of front rim mounted 864mm (34") from finished floor.

- 0356.028** 8" CTRS FOR EXPOSED BRACKET SUPPORT
- 0356.015** 8" CTRS FOR WALL HANGER OR CONCEALED ARMS
- 0356.915** LESS OVERFLOW

- 0355.027** 4" CTRS FOR EXPOSED BRACKET SUPPORT
- 0355.012** 4" CTRS FOR WALL HANGER OR CONCEALED ARMS
- 0355.912** LESS OVERFLOW



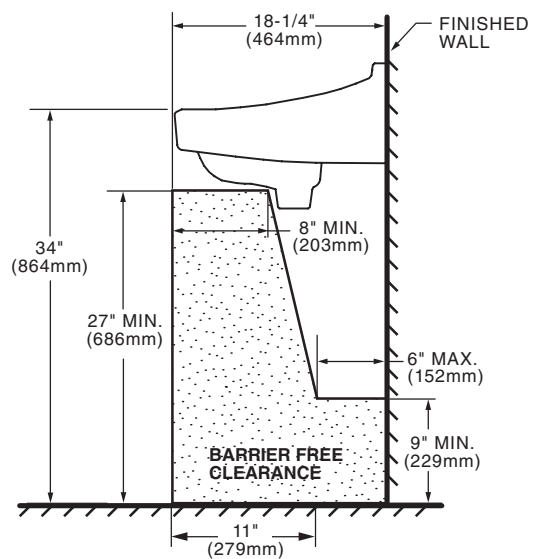
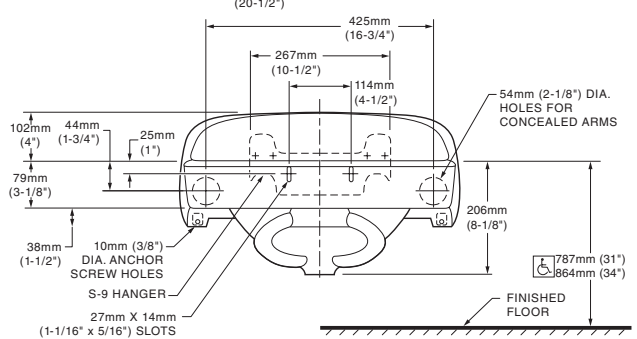
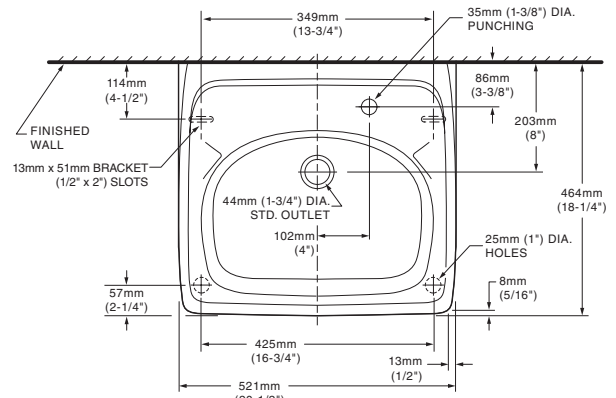
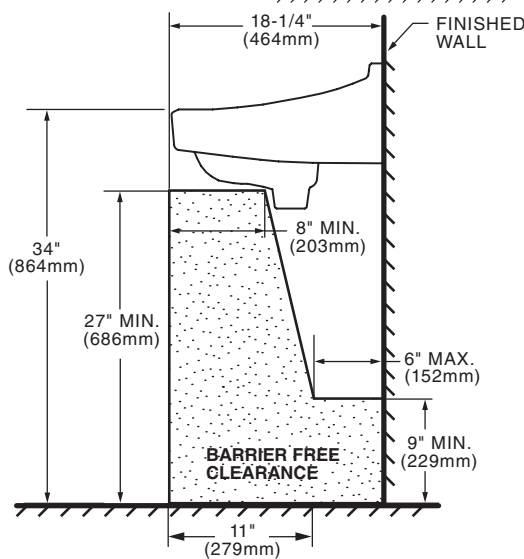
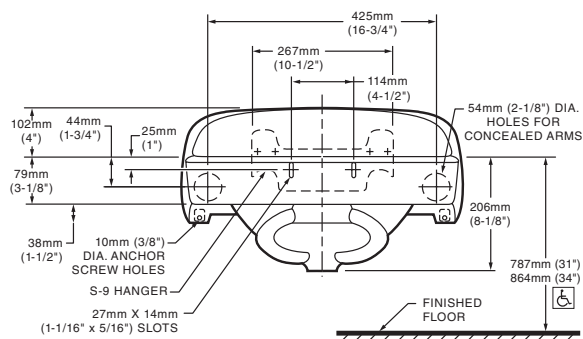
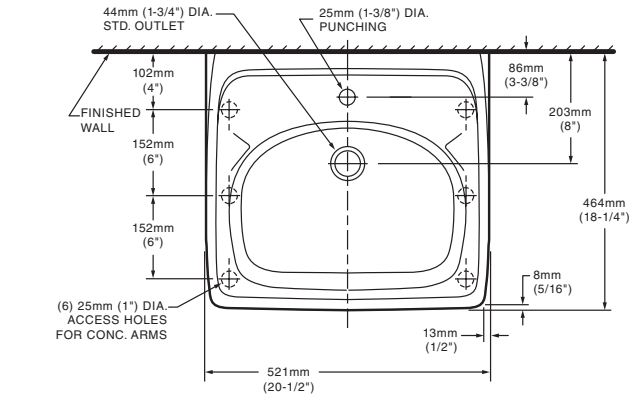
NOTES:
 * DIMENSIONS SHOWN FOR LOCATION OF SUPPLIES AND "P" TRAP ARE SUGGESTED.
 PROVIDE SUITABLE REINFORCEMENT FOR ALL WALL SUPPORTS.
 FITTINGS NOT INCLUDED AND MUST BE ORDERED SEPARATELY.
 CONCEALED ARM SUPPORT AS REQUIRED TO BE FURNISHED BY OTHERS.

IMPORTANT: Dimensions of fixtures are nominal and may vary within the range of tolerances established by ANSI Standard A112.19.2. These measurements are subject to change or cancellation. No responsibility is assumed for use of superseded or voided pages.

LAVATORY DESIGNED TO MEET ADA HANDICAPPED GUIDELINES WITH MOUNTING HEIGHT SET AT 864MM (34") ABOVE FINISHED FLOOR.

- 0356.041** SINGLE CENTER HOLE FOR EXPOSED BRACKET SUPPORT
- 0356.421** SINGLE CENTER HOLE FOR WALL HANGER OR CONCEALED ARMS
- 0356.921** LESS OVERFLOW

- 0356.439** SINGLE CENTER HOLE ON RIGHT FOR WALL HANGER OR CONCEALED ARMS
- 0356.066** SINGLE CENTER HOLE ON RIGHT FOR EXPOSED BRACKET SUPPORT



NOTES:
 * DIMENSIONS SHOWN FOR LOCATION OF SUPPLIES AND "P" TRAP ARE SUGGESTED.
 PROVIDE SUITABLE REINFORCEMENT FOR ALL WALL SUPPORTS.
 FITTINGS NOT INCLUDED AND MUST BE ORDERED SEPARATELY.
 CONCEALED ARM SUPPORT AS REQUIRED TO BE FURNISHED BY OTHERS.

IMPORTANT: Dimensions of fixtures are nominal and may vary within the range of tolerances established by ANSI Standard A112.19.2. These measurements are subject to change or cancellation. No responsibility is assumed for use of superseded or voided pages.

LAVATORY DESIGNED TO MEET ADA HANDICAPPED GUIDELINES WITH MOUNTING HEIGHT SET AT 864MM (34") ABOVE FINISHED FLOOR.