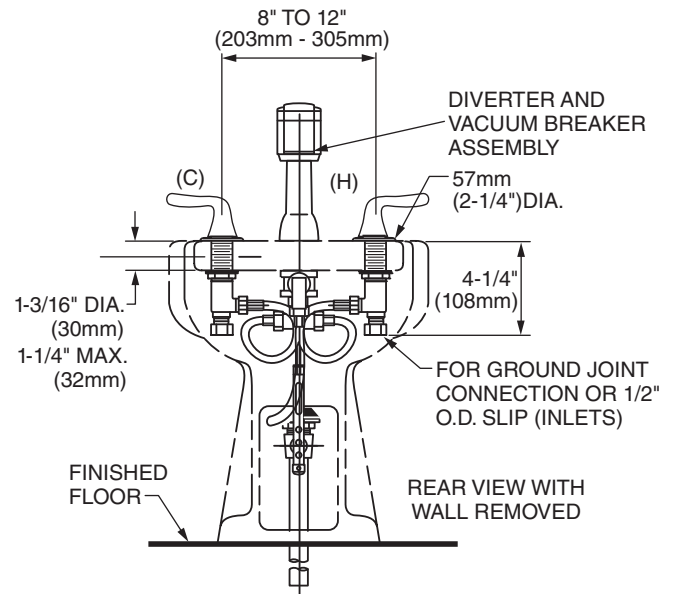
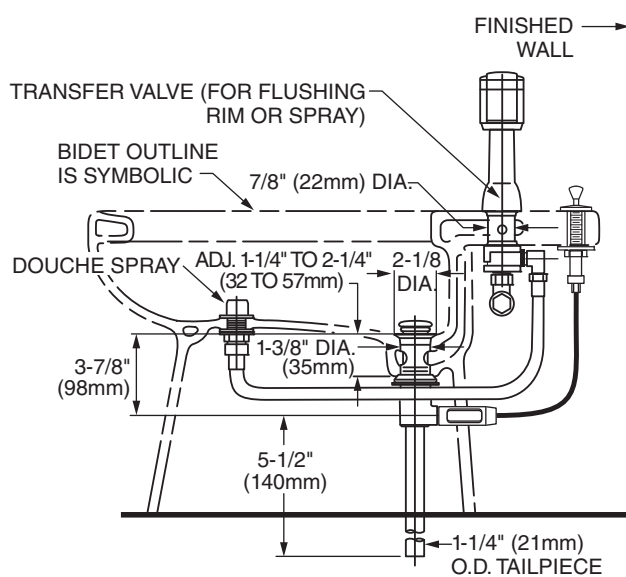




MODEL NUMBER:

- **3475.501 Fixture-Mounted Bidet Fitting**
Vacuum breaker. Metal Speed Connect® Pop-up drain.
Metal lever handles.



GENERAL DESCRIPTION:

Cast brass valve bodies. 1/4 turn washerless ceramic disc valve cartridges - reversible for use with either lever or round handles. Diverter controls water flow between douche spray and flushing rim. Douche spray has built-in spray height adjustment. 20" (500mm) long flexible stainless steel drain cable is pre-assembled to lift rod assembly. Metal Speed Connect® drain body with 1-1/4" (32mm) tail piece.

PRODUCT FEATURES:

- Brass Construction:** Durable - Excellent in high use applications. Ideal for prolonged contact with water. Provides the finest surface for application of all colors and finishes.
- Ceramic Disc Valve Cartridges:** Assures a lifetime of drip-free performance.
- Exclusive Speed Connect® Metal Drain:**
 - Fewer Parts - installs in less time.
 - No adjustments required - seals the first time, every time.
 - Flexible stainless steel cable - installs effortlessly in tight spaces.
- Choice of Finishes:** Available in Polished Chrome and Satin Nickel (PVD) finishes.

SUGGESTED SPECIFICATION:

Two handle deck-mount bidet fitting with matching pop-up drain shall feature solid brass construction. Shall also feature 1/4 turn ceramic disc valve cartridges that are reversible for use with either cross or lever handles. Shall also feature a metal drain body with stainless steel cable actuation. Fitting shall be American Standard Model # 3475.501.




COLONY® SOFT FIXTURE-MOUNTED BIDET FITTING

CODES AND STANDARDS

These products meet or exceed the following codes and standards:

- ANSI A117.1
- ASME A112.18.1
- CSA B 125
- ASSE 1001

Product Number	Description	Finish Options	
		Polished Chrome	PVD Satin Nickel
		002	295
3475.501	Fixture-mounted bidet fitting. Vacuum breaker. Metal Speed Connect® Pop-up drain. Metal lever handles.		

 Meets the American Disabilities Act Guidelines and **ANSI A117.1** Requirements for the physically challenged.