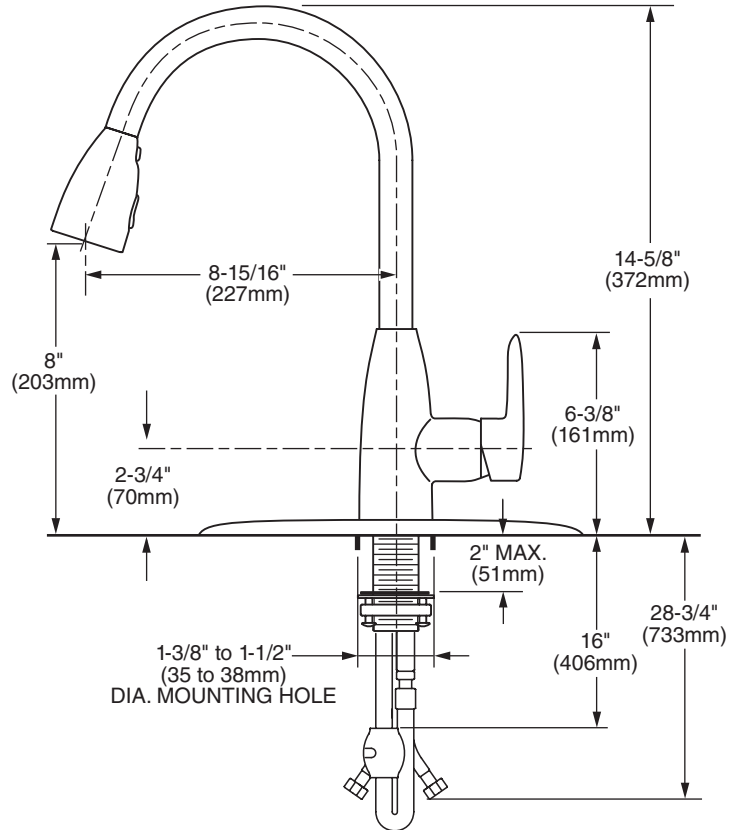




MODEL NUMBER:

- 4175.300 Pull Down Kitchen Faucet
- 4175.300.F15 Pull Down Kitchen Faucet



GENERAL DESCRIPTION:

Metal body and handle with brass swivel spout (360° rotation). Pull-down spray with adjustable spray pattern and pause feature. Nylon braided pull out hose. Washerless 40mm ceramic disc valve cartridge. Braided flexible supply hoses with 3/8" compression connections. Brass mounting shank with brass fixation ring. Complete with two integral check valves. 2.2gpm/8.3L/min. maximum flow rate, 1.5gpm/5.7 L/min. maximum flow rate for F15 models. Fitting can be mounted with or without metal escutcheon plate (escutcheon size 10"L x 2-3/4"W).

PRODUCT FEATURES:

- Ceramic Disc Valve Cartridge:** Assures smooth, precise valve control and a lifetime of drip-free, maintenance-free performance.
- Brass Construction:** Highest quality materials for durability & long life.
- Memory Position Valving:** Allows user to turn valve on and off at preferred temperature setting without readjusting handle position each time.
- Lead Free:** Faucet contains ≤ 0.25% total lead content by weighted average.
- Pull-down Spray:** Adjustable spray pattern-stream to spray and pause feature.
- Integral Check Valves:** Prevents back flow.
- Choice of Finishes:** Choice of Polished Chrome, Stainless Steel (PVD) or Matte Black.

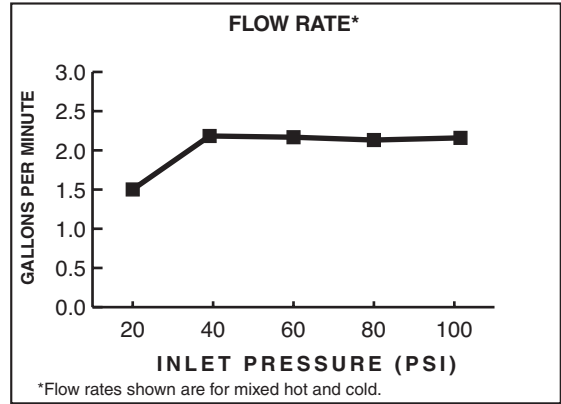
SUGGESTED SPECIFICATION:

Single control kitchen faucet shall feature a metal body with pull-down spray. Shall also feature washerless ceramic disc valve cartridge, flexible supply hoses and two integral check valves. Fitting shall be American Standard Model # 4175.300.____.

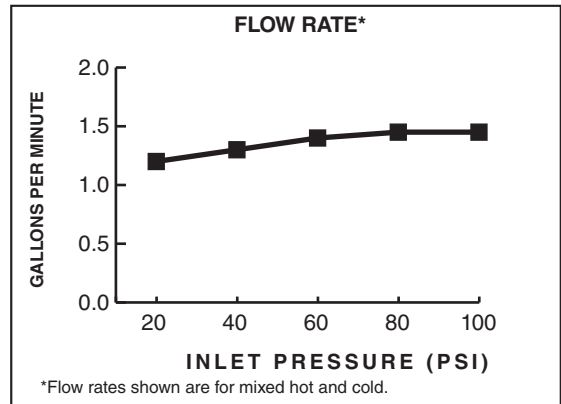
CODES AND STANDARDS

These products meet or exceed the following codes and standards:

- ANSI A117.1**
- ASME A112.18.1**
- NSF 61/Section 9 & Annex G**
- CSA B125**




2.2gpm/8.3L/min. FLOW RATE



1.5gpm/5.7 L/min. FLOW RATE

Product Number	Description	Finish Options		
		Polished Chrome	Stainless Steel (PVD)	Matte Black
		002	075	242
4175.300	Pull-down Kitchen Faucet - 2.2 gpm/8.3 L/min. maximum flow rate			
4175.300.F15	Pull-down Kitchen Faucet - 1.5 gpm/5.7 L/min. maximum flow rate			

 Meets the American Disabilities Act Guidelines and **ANSI A117.1** Requirements for the physically challenged.