

RONDALYN™ COUNTERTOP SINK

- Made from vitreous china
- Self-rimming with cutout template supplied
- Front overflow
- Faucet ledge
Shown with 4801.862 Amaris/Heritage faucet with Triune cross handles (not included)

- 0490.011** Faucet holes on 8" (203mm) centers (illustrated)
- 0491.019** Faucet holes on 4" (102mm) centers
- 0491.027** Faucet holes on 4" (102mm) centers
 - Extra right-hand hole
- 0491.035** Faucet holes on 4" (102mm) centers
 - Extra left-hand hole
- 0490.156** Center hole only



Nominal Dimensions:

486mm (19-1/8") Round

Bowl sizes:

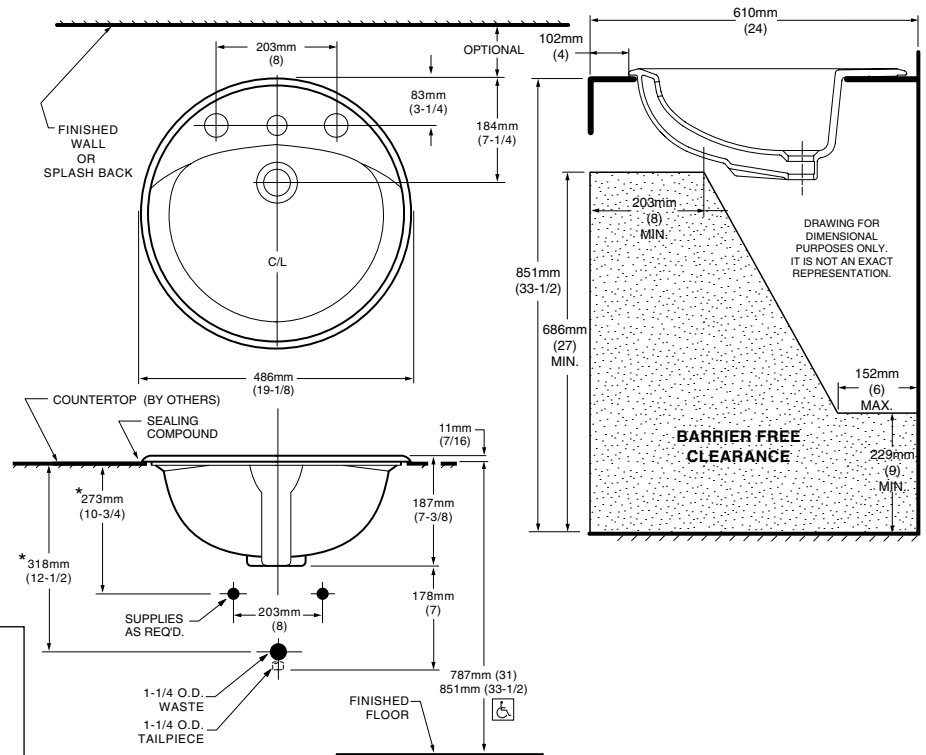
381mm (15") wide

308mm (12-1/8") front to back

146mm (5-3/4") deep

Compliance Certifications - Meets or Exceeds the Following Specifications:

- ASME A112.19.2M for Vitreous China Fixtures



To Be Specified:

- Color: White Bone Linen Silver Fawn Beige Black
- Faucet*:
- Faucet Finish:
- Supplies:
- 1-1/4" Trap:

* See faucet section for additional models available

MEETS THE AMERICANS WITH DISABILITIES ACT GUIDELINES AND ANSI A117.1 ACCESSIBLE AND USABLE BUILDINGS AND FACILITIES - CHECK LOCAL CODES.

Install lavatory 864mm (34") from finished floor.
Lavatory installed 51mm (2") minimum from front edge of countertop provides 686mm (27") knee clearance area.

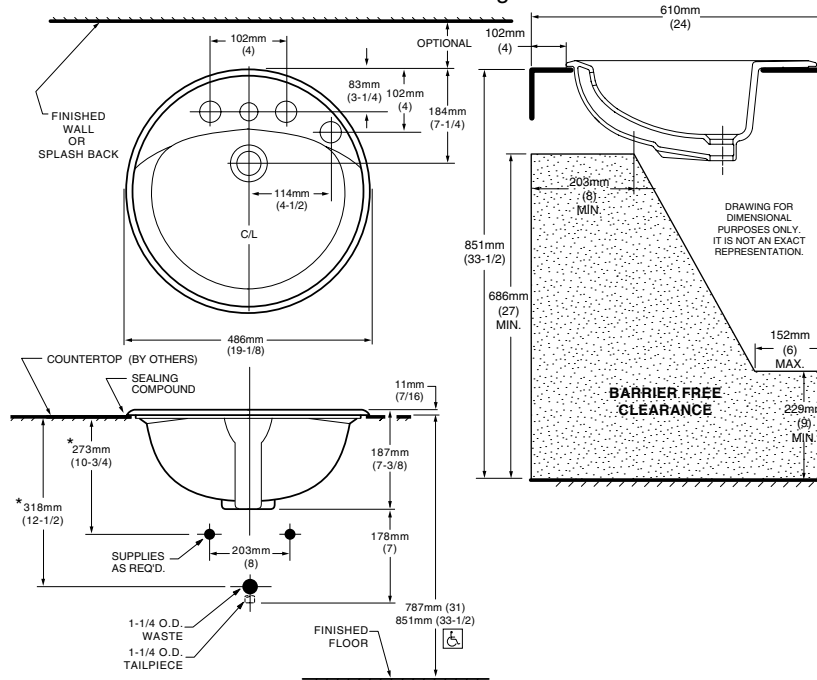
SEE REVERSE FOR ADDITIONAL ROUGH-IN DIMENSIONS

NOTES:

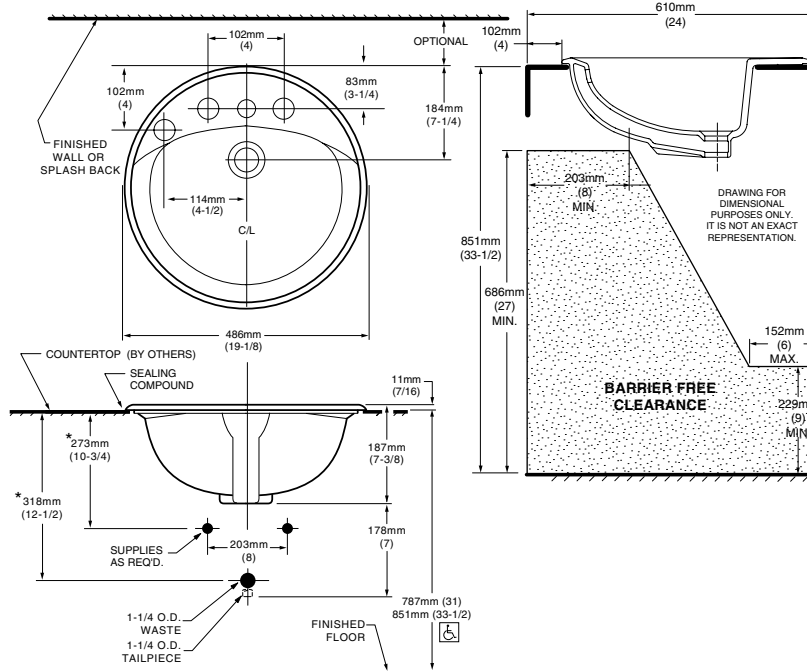
* DIMENSIONS SHOWN FOR LOCATION OF SUPPLIES AND "P" TRAP ARE SUGGESTED. FOR COUNTERTOP CUTOUT AND INSTALLATION INSTRUCTIONS USE TEMPLATE SUPPLIED WITH SINK. FITTINGS NOT INCLUDED WITH FIXTURE AND MUST BE ORDERED SEPARATELY. SEALING COMPOUND SUPPLIED BY OTHERS.

IMPORTANT: Dimensions of fixtures are nominal and may vary within the range of tolerances established by ANSI Standard A112.19.2. These measurements are subject to change or cancellation. No responsibility is assumed for use of superseded or voided pages.

0491.027 4" Ctrs Extra Right Hand Hole



0491.035 4" Ctrs Extra Left Hand Hole



NOTES:

* DIMENSIONS SHOWN FOR LOCATION OF SUPPLIES AND "P" TRAP ARE SUGGESTED.
FOR COUNTERTOP CUTOUT AND INSTALLATION INSTRUCTIONS USE TEMPLATE SUPPLIED WITH SINK.
FITTINGS NOT INCLUDED WITH FIXTURE AND MUST BE ORDERED SEPARATELY.
SEALING COMPOUND SUPPLIED BY OTHERS.

IMPORTANT: Dimensions of fixtures are nominal and may vary within the range of tolerances established by ANSI Standard A112.19.2. These measurements are subject to change or cancellation. No responsibility is assumed for use of superseded or voided pages.

MEETS THE AMERICANS WITH DISABILITIES ACT GUIDELINES AND ANSI A117.1 ACCESSIBLE AND USABLE BUILDINGS AND FACILITIES - CHECK LOCAL CODES.

Install lavatory 864mm (34") from finished floor.
Lavatory installed 51mm (2") minimum from front edge of countertop provides 686mm (27") knee clearance area.