

CADET FloWise™ RIGHT HEIGHT™ ELONGATED PRESSURE-ASSISTED TOILET 1.1 gpf/ 4.2 Lpf

- 2467.100**
 - Vitreous china
 - High Efficiency, Ultra Low-consumption (1.1 gpf/4.2 Lpf)
 - EverClean® surface inhibits the growth of stain- and odor-causing bacteria, mold, and mildew on the surface
 - Meets EPA WaterSenseSM criteria
 - Bowl rim at 16-1/2" for accessible applications
 - Elongated bowl
 - Pressure-assisted siphon jet flush action
 - Fully-glazed 2-1/8" trapway
 - 10 x 12" water surface area
 - Close-coupled Flushometer tank*
 - Metal chrome trip lever
 - Speed Connect® tank/bowl coupling system
 - Sanitary dam on bowl
 - Two bolt caps
 - 100% factory flush tested
 - 12" Rough-in

- 3483.100** Bowl with two bolt caps
- 4142.100** Tank complete with coupling components

Nominal Dimensions:

768 x 521 x 781mm
(30-1/4" x 20-1/2" x 30-3/4")

Fixture only, seat and supply by others

Recommended working pressure range
25 psi - 80 psi

Alternate Configurations Available:

- 4142.601** Tank and tank cover only with tank cover locking device
- 4142.801** Tank and tank cover only with right hand trip lever
- 4142.901** Tank complete with right hand trip lever and tank cover locking device

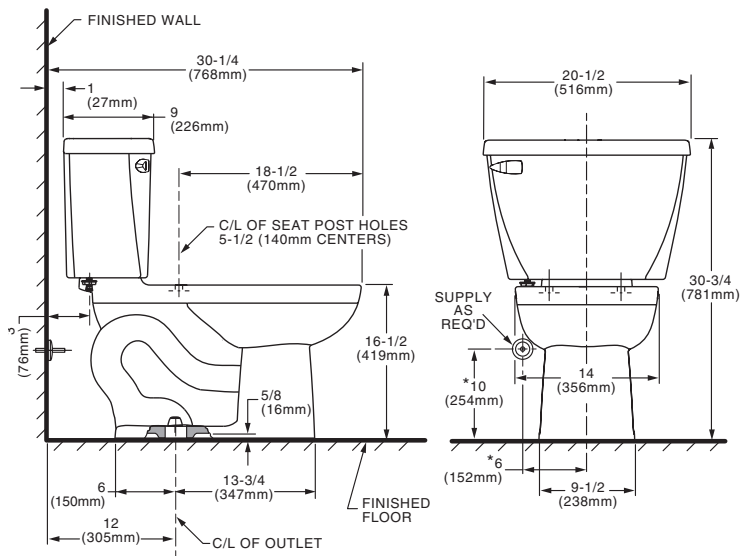
Compliance Certifications -

Meets or Exceeds the Following Specifications:

- ASME A112.19.2-2008 / CSH B45.1-08 for Vitreous China Fixtures

To Be Specified:

- Color: White Bone Linen
 Silver Black
- Seat: American Standard #5324.019 "Rise and Shine" (with easy to clean lift-off hinge system) solid plastic closed front seat with cover.
- American Standard #5321.110 EverClean® seat with Slow Close snap-off hinges.
- Alternate Seat:
- Supply with Stop:



NOTES:

THIS TOILET IS DESIGNED TO ROUGH-IN AT A MINIMUM DIMENSION OF 305mm (12") FROM FINISHED WALL TO C/L OF OUTLET. SUPPLY NOT INCLUDED WITH FIXTURE AND MUST BE ORDERED SEPARATELY.
* DIMENSION SHOWN FOR LOCATION OF SUPPLY IS SUGGESTED.

IMPORTANT: Dimensions of fixtures are nominal and may vary within the range of tolerances established by ASME A112.19.2-2008 / CSH B45.1-08. These measurements are subject to change or cancellation. No responsibility is assumed for use of superseded or voided pages.



MEETS THE AMERICANS WITH DISABILITIES ACT GUIDELINES AND ANSI A117.1 REQUIREMENTS FOR ACCESSIBLE AND USABLE BUILDING FACILITIES - CHECK LOCAL CODES.