

Semi-Frameless Swing Shower Door and Inline Panel

AM00816400 Semi-Frameless Swing Door and Panel

Product Features:

- Semi-Frameless door inline panel with metal support on outer edges of enclosure
- Continuous hinge door for elegant function
- No center post for a more frameless appearance
- Easy-to-clean glass coating helps keep glass cleaner longer
- Through-the-glass pull handle
- Up to 3/8" (9mm) adjustment allowance for out-of-plumb walls and up to 3/8" (9mm) adjustment allowance for out-of-level walls
- Made of 1/4" (6mm) clear, tempered safety glass and metal frame
- Overall height: 76" (1930mm)
- Required threshold width 1-1/2" (38mm)
- Fits opening: 56-1/16"-60" (1424-1524mm)



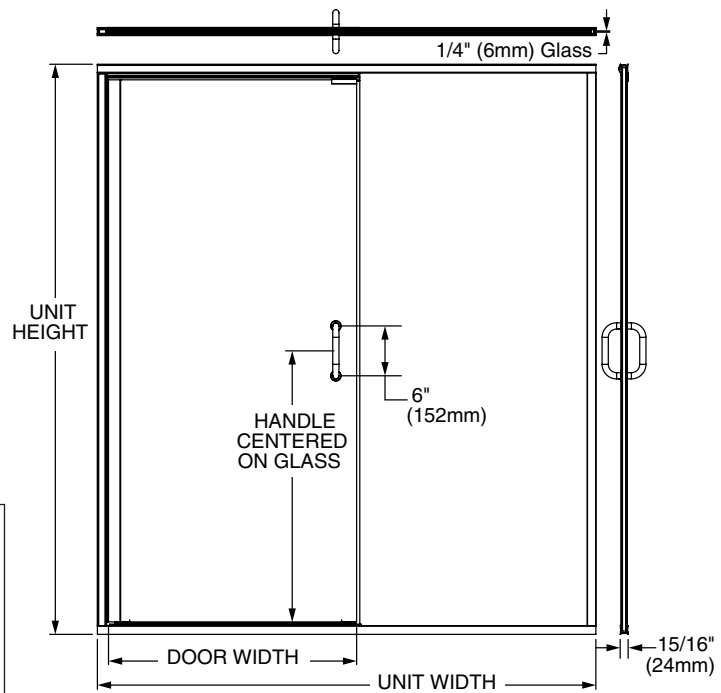
AM00817400 Semi-Frameless Swing Door and Panel

- Fits opening: 44-1/16"-48" (1119-1219mm)

Compliance Certifications -

Meets or Exceeds the Following Specifications:

- ASTM C1464-06 and ASTM C1048
- Safety criteria CPSC 16CFR 1201 categories 1 & 2 and ANSI Z97.1
- SGCC Certified



Available Glass Options:

- .400 Clear

Optional Finishes:

- .213 Silver/Chrome
- .006 Brushed Nickel

GLASS SIZING CHART

MODEL	UNIT HEIGHT	WIDTH RANGE
AM00816400	76" (1930mm)	56-1/16" - 60" (1424 - 1524mm)
AM00817400	76" (1930mm)	44-1/16" - 48" (1119 - 1219mm)