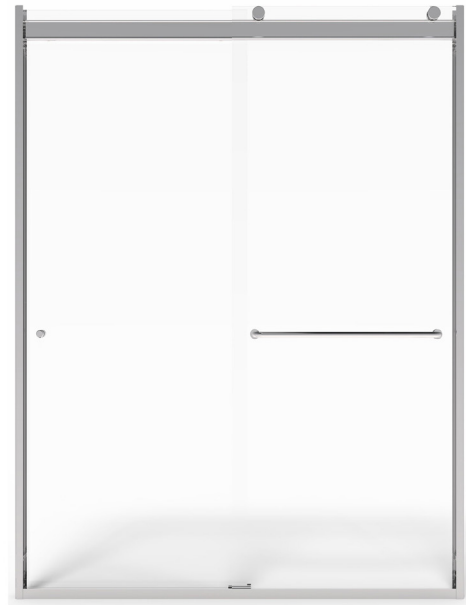


Top-Roller Semi-Frameless Sliding Shower Door

AM00822400 Top-Roller Shower Door

Product Features:

- Semi-Frameless with sleek, modern header and visible rollers
- Durable smooth-glide rollers for optimal efficiency and function
- Sliding door construction ensures easy access in and out
- Easy-to-clean glass coating helps keep glass cleaner longer
- Exterior towel bar with subtle curve for convenient access to towel
- Full-view, clear glass makes the bathroom appear bigger and brighter
- Adjustability while door is hanging; 3/8" (9mm) for out-of-plumb and 3/8" (9mm) for level
- Made of 1/4" (6mm) clear, tempered safety glass and anodized aluminum hardware
- Overall height: 70" (1778mm)
- Required threshold width 2-3/4" (70mm)
- Fits opening: 56"-60" (1422-1524mm)



AM00821400 Top-Roller Shower Door

- Fits opening: 44"-48" (1118-1219mm)

Compliance Certifications - Meets or Exceeds the Following Specifications:

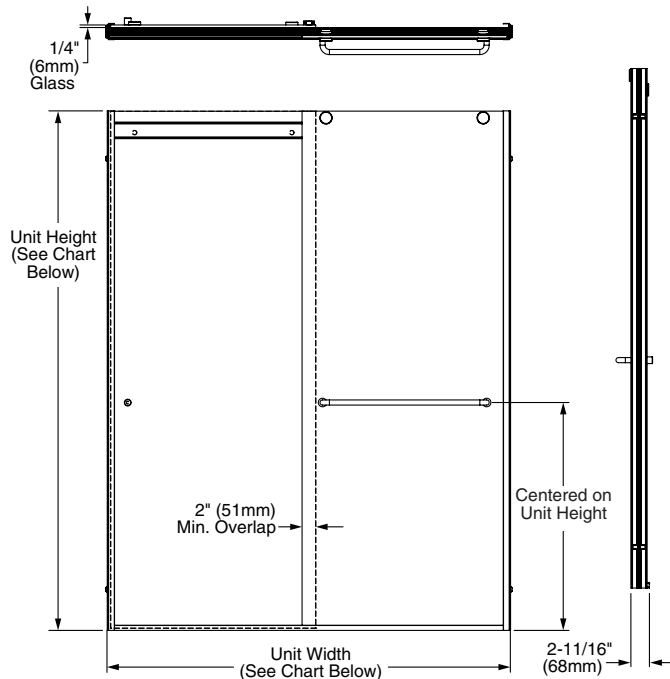
- ASTM C1464-06 and ASTM C1048
- Safety criteria CPSC 16CFR 1201 categories 1 & 2 and ANSI Z97.1
- SGCC Certified

Available Glass Options:

- .400 Clear

Optional Finishes:

- .213 Silver/Chrome
- .006 Brushed Nickel



GLASS SIZING CHART			
MODEL	UNIT HEIGHT	WIDTH RANGE	GLASS PANEL
AM00822400	70" (1778mm)	56" - 60" (1420 - 1524mm)	30-1/2" x 69-1/16" (775 x 1754mm)
AM00821400	70" (1778mm)	44" - 48" (1118 - 1219mm)	24-1/2" x 69-1/16" (622 x 1754mm)