

**Avery® 30 x 20 Single Bowl  
Apron Kitchen Sink**

❑ **1180SB3020.291**

- Hand Crafted Fine Fire Clay Apron Sink
- Finished on all 4 sides
- Offset drain
- Undermount or flush mount installation
- Protective stainless steel bottom grid and drain included
- 33" (838mm) cabinet required
- 5 year limited warranty on sink;  
1 year on included accessories



**Nominal Dimensions:**

29-3/4" x 20" x 10"  
(755 x 508 x 254mm)

**Bowl Size:**

28-3/16" (716mm) wide  
18-7/16" (468mm) front to back  
8-3/4" (223mm) deep

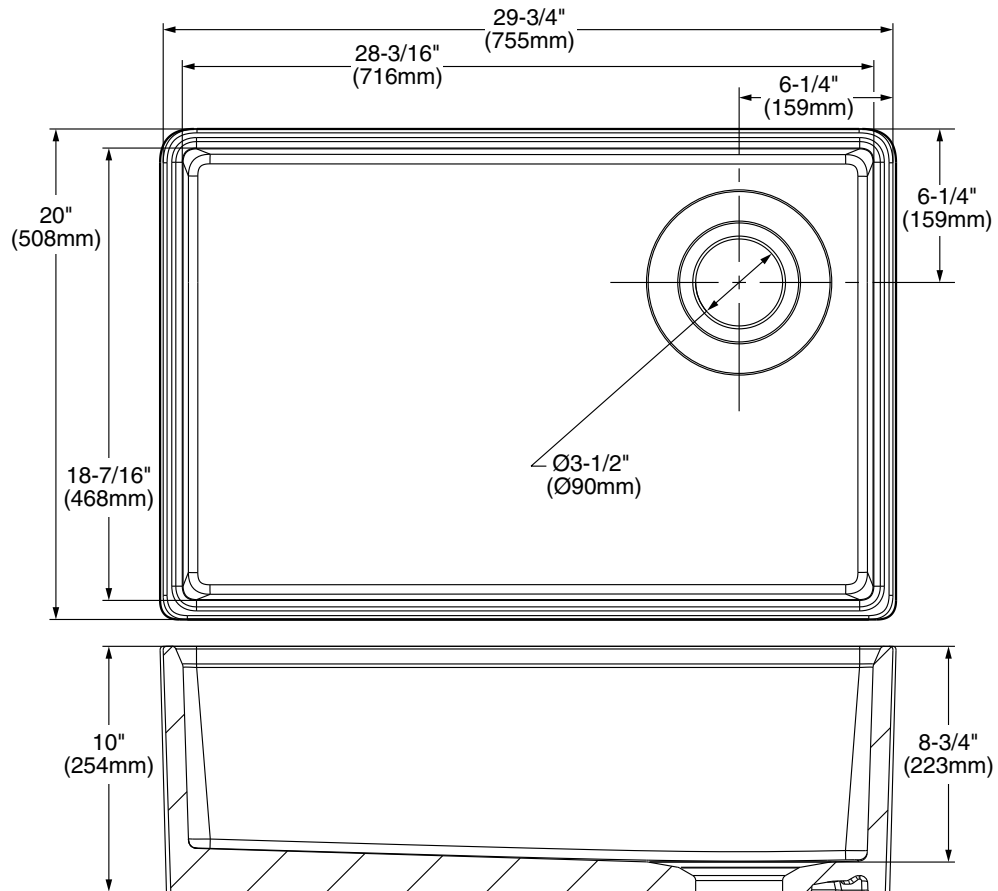
**Compliance Certifications - Meets or  
Exceeds the Following Specifications:**

- ASME A112.19.2 / CSA B45.1

SEE REVERSE FOR ROUGHING-IN DIMENSIONS  
AND PRODUCT SPECIFICATIONS

**To Be Specified:**

- ❑ Color: Alabaster White .291



**NOTES:**

\* DIMENSIONS SHOWN FOR LOCATION OF SUPPLIES AND "P" TRAP ARE SUGGESTED.  
FITTINGS NOT INCLUDED WITH FIXTURE AND MUST BE ORDERED SEPARATELY.  
SEALING COMPOUND SUPPLIED BY OTHERS.

**IMPORTANT:** Dimensions of fixtures are nominal and may vary within the range of tolerances established by ASME A112.19.2 / CSA B45.1. These measurements are subject to change or cancellation. No responsibility is assumed for use of superseded or voided pages.