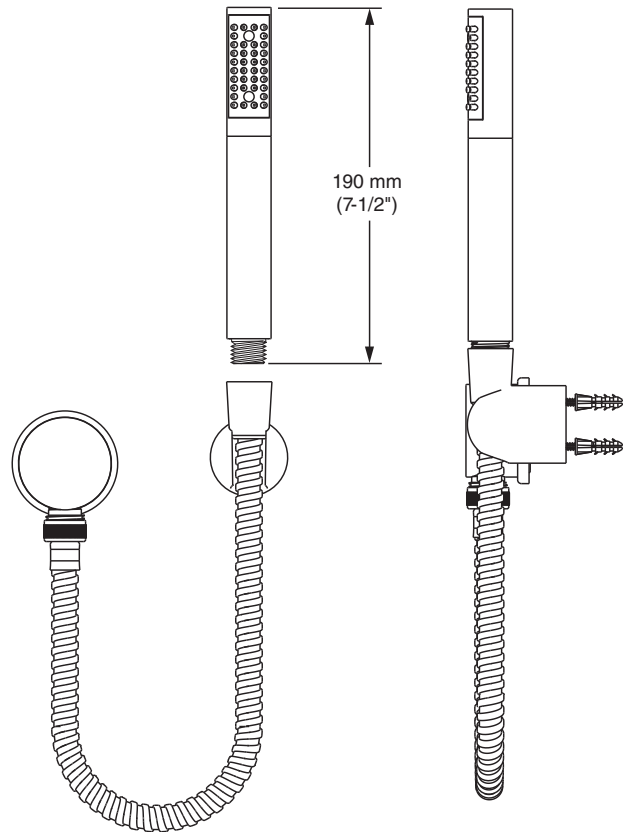
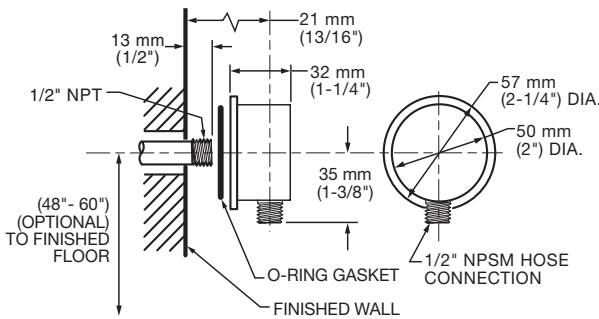


**MODEL NUMBER:**

☐ **1662609 Water Saving Hand Shower Kit**

Includes:

- Hand Shower 1660609
- Hose 8888035
- Wall Union 8888068
- Wall Bracket 8888036



**GENERAL DESCRIPTION:**

Complete shower system kit includes: a wall supply with 1/2" NPT female inlet, 1/2" NPSM male outlet; a 59" (1500 mm) shower hose; a water saving hand shower; and a hand shower holder. 1.8 gpm/ 6.8 L/min. maximum flow rate. Kit includes double check valves to prevent cross flow of hot and cold water.

**PRODUCT FEATURES:**

**HAND SHOWER**

**Water Saving:** Saves up to 20% in water usage.

**Lightweight, Ergonomic Design:** For a sure grip even with wet, soapy hands.

**SELECTION OF FINISHES**

**Available Finishes:** Wide range of durable finishes.

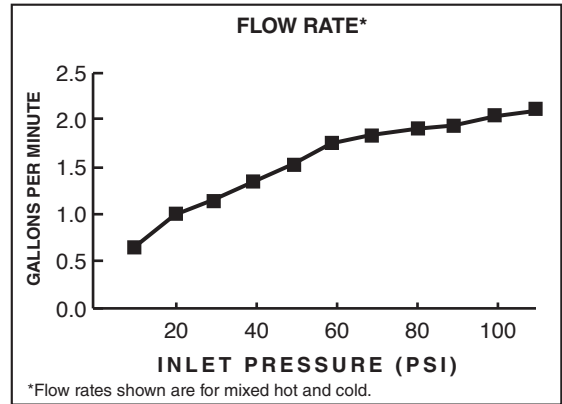
**SUGGESTED SPECIFICATION**

Shower system shall feature a wall supply with 1/2" NPT female inlets, 1/2" NPSM male outlet, 59" hose, hand shower and a hand shower holder. Kit shall include double check valves to prevent cross flow of hot and cold water. Fitting shall be American Standard Model # 1662609.\_\_\_\_\_.

### CODES AND STANDARDS

These products meet or exceed the following codes and standards:

**ASME A112.18.1**  
**CSA B125**



Product Number	Description	Finish		
		Polished Chrome	Matte Black	Brushed Nickel
		002	243	295
1662609	Shower System Kit. Contains Water Saving Hand Shower, Hose, Wall Supply and Wall Bracket.			