

**Madera™ FloWise® 16-1/2" Height 1.28 GPF  
Flushometer Toilet System with EverClean®**

- 2854.128** 1.28 gpf Top Spud 16-1/2" Height Bowl and Manual Flush Valve

**BOWL:**

- Floor mount elongated flushometer valve toilet
- Vitreous china
- High Efficiency. Operates in the range of 1.1 gpf to 1.6 gpf (4.2 Lpf to 6.0 Lpf)
- Permanent EverClean® surface inhibits the growth of stain- and odor-causing bacteria, mold, and mildew on the surface
- 10" or 12" roughing-in
- 16-1/2" rim height for accessible application
- Condensation channel
- Powerful direct-fed siphon jet action
- Fully glazed 2-1/8" trapway
- 10" x 12" water surface area
- 1-1/2" top spud
- 100% factory flush tested
- Less toilet seat
- Model 3461.001

**MANUAL FLUSH VALVE:**

- Self-cleaning brass piston with integral wiper spring prevents clogging and reduces maintenance
- Piston operation delivers superior flush accuracy and repeatability
- Piston valve remains closed and does not need to be reset after loss of water pressure
- ADA compliant non-hold open handle provides automatic shut-off after every flush
- Positive seal ensures leak-free performance
- No external volume adjustment
- Durable chrome-plated cast brass construction is ideal for commercial applications
- Chloramine-resistant EPDM seals
- Adjustable tailpiece for rough-in flexibility
- Can be installed left or right hand
- Model 6047.121

**Includes:**

- 047007-0070A Inlet Spud (furnished with bowl)
- 481310-100 2 Bolt caps with retainers (furnished with bowl)
- 1" I.P.S. angle stop with back-flow prevention and vandal-resistant cap
- Sweat solder kit including cover tube and wall flange
- High back pressure vacuum breaker with down tube
- Spud coupling & flange for 1-1/2" top spud

**To Be Specified:**

- Color:  White
- Seat:
  - American Standard #5901.100 Heavy duty open front less cover
  - American Standard #5905.100 Extra heavy duty open front less cover



SEE REVERSE FOR ROUGHING-IN DIMENSIONS

**High-Efficiency Toilet Systems:**

- 20% water savings when compared to a 1.6 gpf toilet system

**System MaP\* Score:**

- 1,000 grams of miso @ 1.28 gpf

\* Maximum Performance (MaP) testing performed by IAPMO R&T Lab. MaP Report conducted by Veritec Consulting, Inc. and Koeller and Company.

**Operating Pressure:**

25 psi (flowing) - 80 psi (static)

**Flow Requirement:**

25gpm (94.6 L/min.)

**Nominal Fixture Dimensions:**

718 x 356 x 419mm (28-1/4" x 14" x 16-1/2")



5-YEAR LIMITED WARRANTY on FIXTURE and FLUSH VALVE



EVERCLEAN



EPA WATERSENSE CERTIFIED

# Madera™ FloWise® 16-1/2" Height 1.28 GPF Flushometer Toilet System

with EVERCLEAN® MANUAL FLUSH VALVE

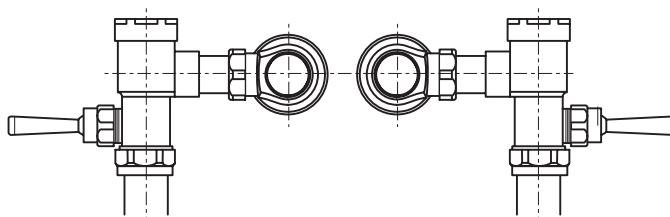
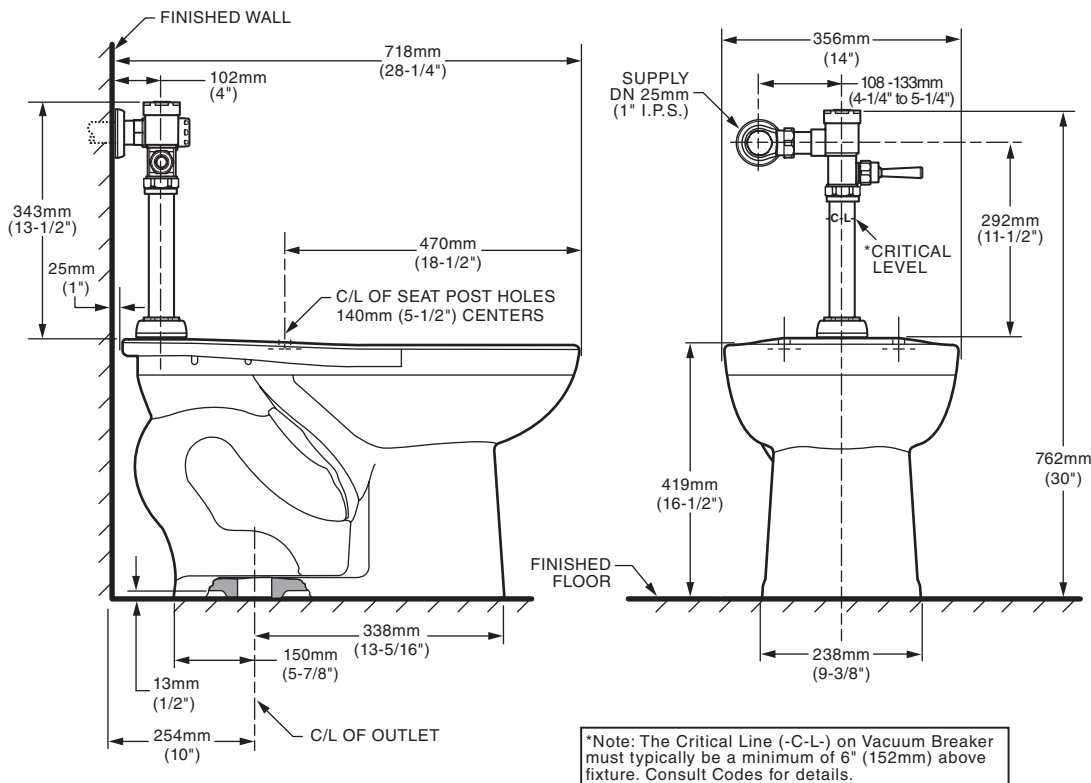
 BARRIER FREE

## Fixture Compliance Certifications - Meets or Exceeds the Following Specifications:

- ASME A112.19.2-2008 / CSA B45.1-08 for Vitreous China Fixtures

## Valve Listings:

- ASSE 1037
- ANSI/ASME A112.19.2
- ADA Compliant



Valve Left or Right Hand Installation



MEETS THE AMERICANS WITH DISABILITIES ACT GUIDELINES  
AND ANSI A117.1 REQUIREMENTS FOR ACCESSIBLE AND USABLE  
BUILDING FACILITIES - CHECK LOCAL CODES.

### NOTES:

TO COMPLY WITH AREA CODE GOVERNING THE HEIGHT OF VACUUM BREAKER ON THE FLUSHOMETER VALVE, THE PLUMBER MUST VERIFY DIMENSIONS SHOWN FOR SUPPLY ROUGHING. THIS TOILET DESIGNED TO ROUGH-IN AT A MINIMUM DIMENSION OF 254MM (10") AND A MAXIMUM DIMENSION OF 305MM (12") FROM FINISHED WALL TO C/L OF OUTLET.

**IMPORTANT:** Dimensions of fixtures are nominal and may vary within the range of tolerances established by ANSI Standard A112.19.2. These measurements are subject to change or cancellation. No responsibility is assumed for use of superseded or voided pages.