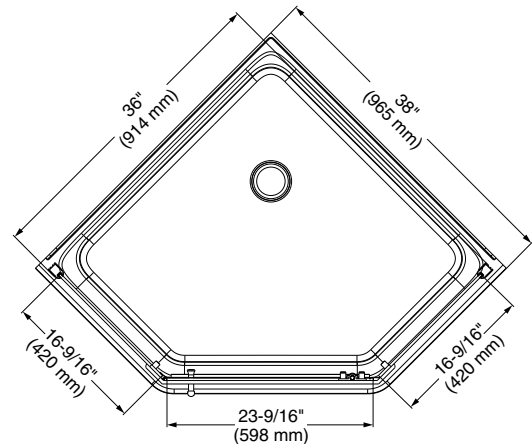


AXIS™ 73-1/4" x 38" NEO ANGLE SHOWER DOOR

❑ **AM3838N2.400C NEO ANGLE SHOWER DOOR**

Product Features:

- Semi-frameless door designed for use with Axis 38" Shower Base and Wall Set
- Space-saving corner design
- Clear, tempered safety glass with Easy-to-Clean treatment to help keep door cleaner longer
- Glass thickness 5/16"
- Installs to open left or right
- Aluminum components and stainless steel screws prevent rusting or corrosion
- Installs with conventional tools
- Concealed screw heads for better cleanliness
- Plumb adjustability of 3/5" on each side by the overlap of the wall posts and fixed panel posts
- Watertight door magnet and seal
- 11" long handle for easy use
- Door opening 21-1/2"
- Can also be installed on tiled shower wall with supports



Centerline Dimensions:

16-9/16" x 23-9/16" x 16-9/16"
(420 x 598 x 420mm)

Door Panel Dimensions:

23-9/16" x 68-5/16"
(598 x 1735mm)

Fixed Panel Dimensions:

16-9/16" x 73-1/4"
(420 x 1860mm)

For use with:

- 3838N-ST3 38" x 38" Axis Neo Angle Corner Shower Base
- 3838CW Axis Shower Wall Set

Compliance Certifications -

Meets or Exceeds the Following Specifications:

- ANSI Z97.1
- CPSC 16CFR 1201 II

