

**TOWN SQUARE® S 60" x 32"
BATHING POOL with APRON**

- 2544102 BATHING POOL**
Right Drain
- 2544202 BATHING POOL**
Left Drain

Product Features:

- High-gloss acrylic with fiberglass reinforcement
- Integral apron with clean, traditional style
- Integral three-sided, 1" tiling/water retention flange helps prevent water seepage
- Coordinates with Town Square® S bathroom suite making a complete bathroom remodel easier
- Sloped lumbar support for more comfortable bathing experience
- For recess installation
- Limited Lifetime warranty
- Pre-leveled tub bottom for easier installation

Nominal Dimensions:

60" x 32" x 19"
(1524 x 813 x 483mm)

**Compliance Certifications -
Meets or Exceeds the Following Specifications:**

- CSA B45.5-11 / IAPMO Z124
- cUPC



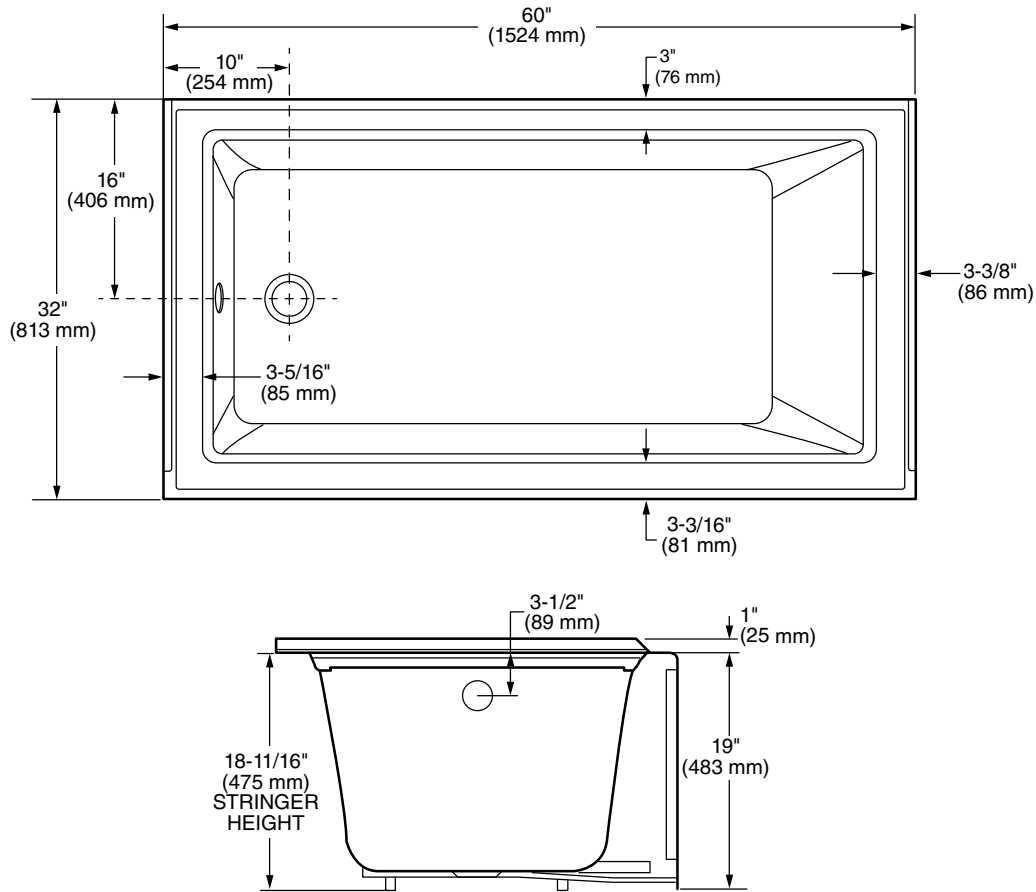
SEE REVERSE FOR ROUGHING-IN DIMENSIONS
AND PRODUCT SPECIFICATIONS

To Be Specified - Required

- Color: 020 White 222 Linen
- Bath Faucet*:
- Faucet Finish:
- Drain*:
- Drain Finish:

*See American Standard faucet and drain section of Product Selector

TOWN SQUARE® S 60" x 32" BATHING POOL with BUILT-IN APRON
HIGH GLOSS ACRYLIC



GENERAL SPECIFICATIONS FOR 2544102/202 TUB	
INSTALLED SIZE	60 x 32 x 19 In. (1524 x 813 x 483mm)
WEIGHT	74 Lbs. (34 Kg)
WEIGHT w/WATER	502 Lbs. (228 Kg)
GAL. TO OVERFLOW	51 Gal. (194 L)
BATHING WELL AT SUMP	20-7/16 x 43-1/4 In. (519 x 1098mm)
BATHING WELL AT RIM	25-13/16 x 53-1/4 In. (656 x 1353mm)
WATER DEPTH TO OVERFLOW	12-3/4 In. (324mm)
FLOOR LOADING	38 Lbs./Sq.Ft. (186 Kgs/Sq.m)
(PROJECTED AREA)	
PTS.	10.18
CUBE (FT ³)	28.00

NOTES:

BATH TO BE INSTALLED ABOVE FLOOR LINE AS A RECESS INSTALLATION.

REFER TO INSTALLATION INSTRUCTIONS SUPPLIED WITH TUB FOR ADDITIONAL INFORMATION.

FITTINGS NOT INCLUDED AND MUST BE ORDERED SEPARATELY.

PROVIDE SUITABLE REINFORCEMENT FOR ALL SUPPORTS.

MOUNTING HOLES DRILLED BY INSTALLER.

IMPORTANT: Dimensions of fixtures are nominal and may vary within the range of tolerances established by ANSI Standard CSA B45.5-11/IAPMO Z124-2011. These measurements are subject to change or cancellation. No responsibility is assumed for use of superseded or voided pages.