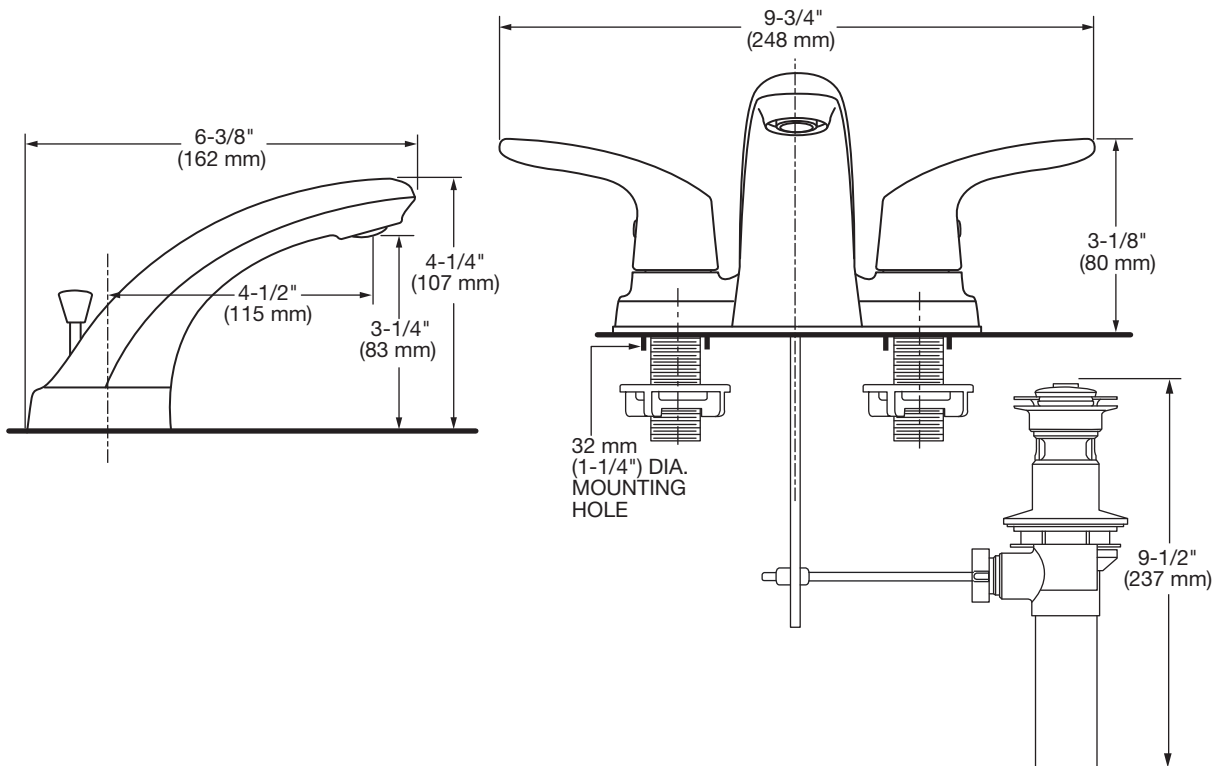


MODEL NUMBER:

- **7075.200.F10 Centerset Lavatory Faucet**
Metal Lever handles. Metal drain. 1.0 GPM flow rate



GENERAL DESCRIPTION:

Centerset lavatory faucet on 4" centers. 1/4 turn washerless ceramic disc valve cartridges. One-half inch male inlet shanks. Metal body. Color matched underbody. Metal lever handles. 1.0 gpm/3.8 L/min. maximum flow rate.

PRODUCT FEATURES:

- Ceramic Disc Valve Cartridge:** Assures a lifetime of drip-free performance.
- Lead Free:** Faucet contains $\leq 0.25\%$ total lead content by weighted average.
- Simple Installation:** Fast and easy one person installation. Faucet drops in from top. Quick spin nuts secure faucet in place.

SUGGESTED SPECIFICATION

Two-handle 4" centerset lavatory faucet shall feature 1/4 turn washerless ceramic disc valve cartridges. Fitting shall be American Standard Model # 7075.200.F10.002.

CODES AND STANDARDS

These products meet or exceed the following codes and standards:

- ANSI A117.1**
- ASME A112.18.1**
- CSA B125.1**
- NSF 61/Section 9**
- NSF 372**

