

**TOWNSEND® ABOVE COUNTER SINK  
and OPTIONAL FURNITURE**

- 0329.004** Faucet holes on 4" (102mm) centers
- 0329.008** Faucet holes on 8" (203mm) centers
- 0329.001** Faucet holes - center hole only (illustrated)
  - Fine fireclay
  - Rectangular above counter sink
  - Front overflow
  - Sink has glazed back wall
  - **Design coordinates with Townsend Collection**
  - Supplied with cut-out template
  - Sink can be used with design matched quartz top with vanity or washstand furniture

**Bowl size:**

16" (405 mm) wide  
11" (280 mm) front-to-back  
5" (128 mm) deep

**Nominal Dimensions:**

*Above Counter Sink Only:*  
24" x 17-1/2" (610 x 454 mm)

*Above Counter Sink and Furniture Combinations:*  
30" x 20" x 36-3/8" (762 x 508 x 923mm)

- 9036.030** 30" (762mm) vanity less drawer pulls
- 7760.000** Drawer pulls (set of 2) for 30" (762mm) vanity
- 9039.030** 30" (762mm) washstand less towel bar
- 3749.000** Towel bar for 30" (762mm) washstand
- 7840.000.820** Quartz top for above counter sink
- 7720.018** Optional decorative p-trap drain

**Compliance Certifications -**

**Meets or Exceeds the Following Specifications:**

- ASME A112.19.2/CSA B 45.1

**To Be Specified:**

- Chinaware Color:  White  Linen
- Vanity Finish:  White  Smoked Grey
- Vanity Drawer Pulls Finish:  Chrome  Brushed Nickel
- Washstand Finish:  White  Smoked Grey
- Washstand Towel Bar Finish:  Chrome  Brushed Nickel
- Faucet\*:
- Supplies:
- P-Trap Finish:  Chrome  Brushed Nickel

\* See Townsend faucet section for models available



**MEETS THE AMERICANS WITH DISABILITIES ACT GUIDELINES  
AND ICC ANSI A117.1 ACCESSIBLE AND USABLE  
BUILDINGS AND FACILITIES - CHECK LOCAL CODES.**

Install lavatory 864mm (34") from finished floor.  
Lavatory installed 102mm (4") minimum from front edge  
of countertop provides 686mm (27") knee clearance area.  
Not compliant when used with optional furniture.

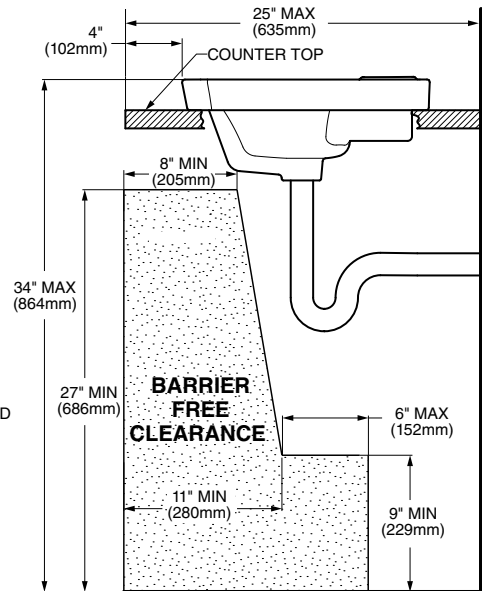
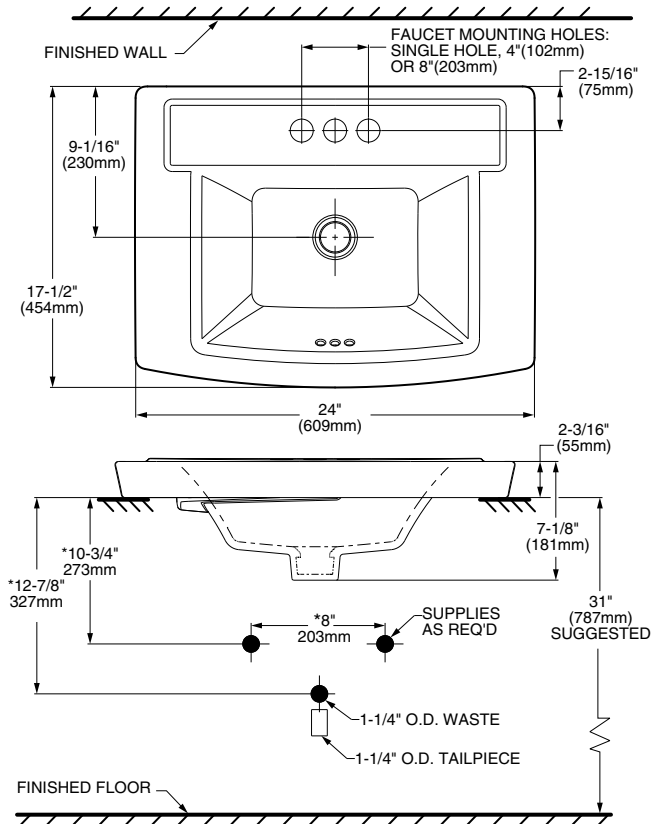


Townsend above counter sink 0329.001

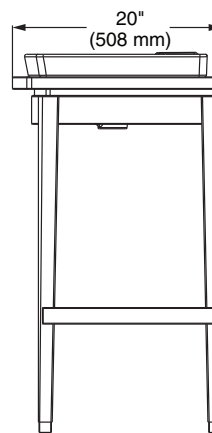
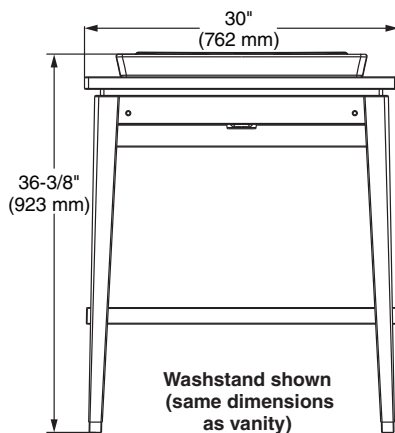


Townsend above counter sink 0329.008  
shown with 7840.000.820 quartz top and  
9039.030 washstand and 3749.000 towel bar  
plus 7720.018 p-trap drain

SEE REVERSE FOR ROUGHING-IN DIMENSIONS



SUGGESTED ADA INSTALLATION



NOTES:

\* DIMENSIONS SHOWN FOR LOCATION OF SUPPLIES AND "P" TRAP ARE SUGGESTED. FITTINGS NOT INCLUDED WITH FIXTURE AND MUST BE ORDERED SEPARATELY. FOR COUNTERTOP CUTOUT AND INSTALLATION INSTRUCTIONS USE TEMPLATE SUPPLIED WITH SINK. FURNITURE SPECIFIC INSTRUCTIONS SUPPLIED WITH OPTIONAL FURNITURE.

**IMPORTANT:** Dimensions of fixtures are nominal and may vary within the range of tolerances established by ANSI Standard A112.19.2. These measurements are subject to change or cancellation. No responsibility is assumed for use of superseded or voided pages.