

American Standard

Installation Instructions

BERWICK™ / BOULEVARD™ VESSEL LAVATORY FITTING

7430.15X
7431.15X



Certified to comply with ANSI A112.18.1M
M968642 REV. 1.5 (3/16)

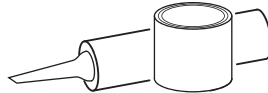
Thank you for selecting American-Standard...the benchmark of fine quality for over 100 years.

To ensure that your installation proceeds smoothly—please read these instructions carefully before you begin.

Recommended Tools



Adjustable Wrench



Plumbers' Putty or Caulking



Regular Screwdriver



Phillips Screwdriver



Channel Locks

CARE INSTRUCTIONS:

DO: SIMPLY RINSE THE PRODUCT CLEAN WITH CLEAR WATER. DRY WITH A SOFT COTTON FLANNEL CLOTH.

DO NOT: DO NOT CLEAN THE PRODUCT WITH SOAPS, ACID, POLISH, ABRASIVES, HARSH CLEANERS, OR A CLOTH WITH A COARSE SURFACE.

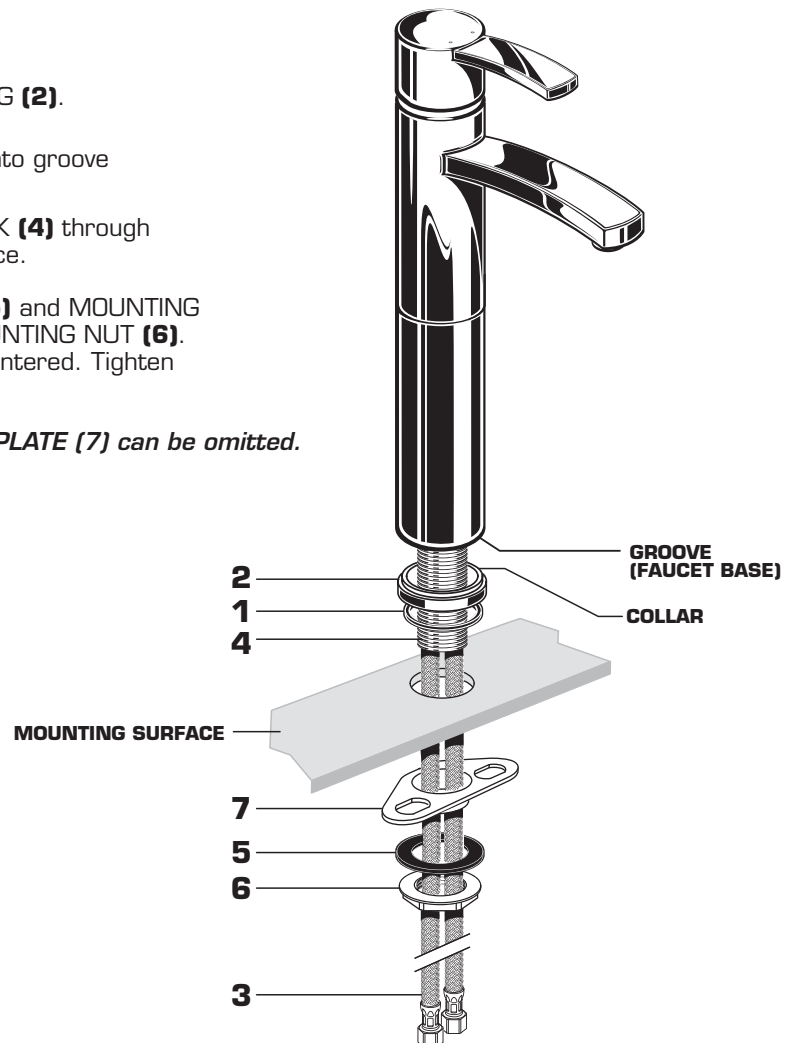
1 INSTALL LAVATORY FAUCET

CAUTION

Turn off hot and cold water supplies before beginning.

- Seat SEAL (1) into under side of ESCUTCHEON RING (2).
- Seat ESCUTCHEON RING (2) with collar facing up into groove in faucet base.
- Feed FAUCET SUPPLIES (3) and MOUNTING SHANK (4) through ESCUTCHEON RING (2) and hole in mounting surface.
- From below, install SUPPORT PLATE (7) GASKET (5) and MOUNTING NUT (6) onto SHANK (4). Secure Faucet with MOUNTING NUT (6). Before final tightening, adjust Faucet so that it is centered. Tighten MOUNTING NUT (7) to complete mounting.

Note: For thick deck installations, the SUPPORT PLATE (7) can be omitted.

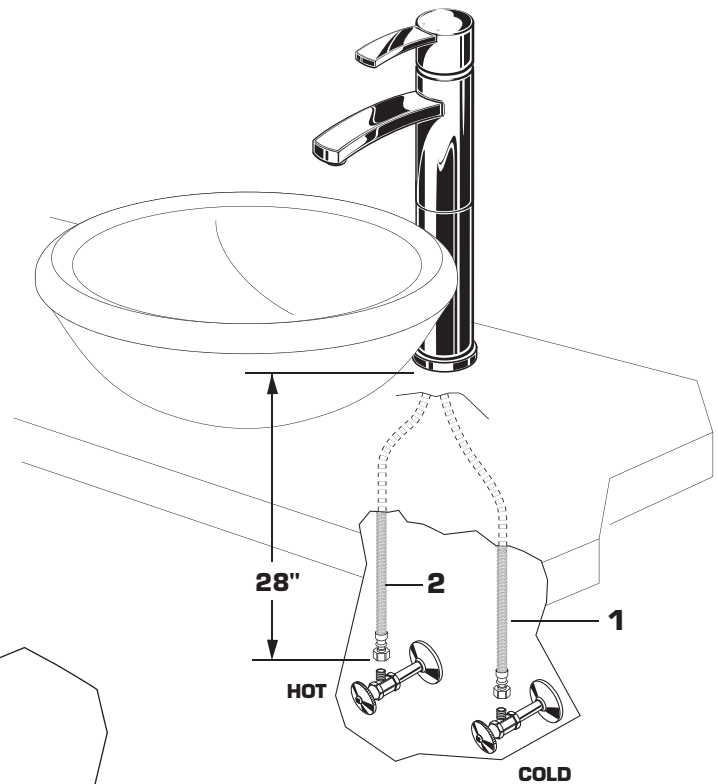
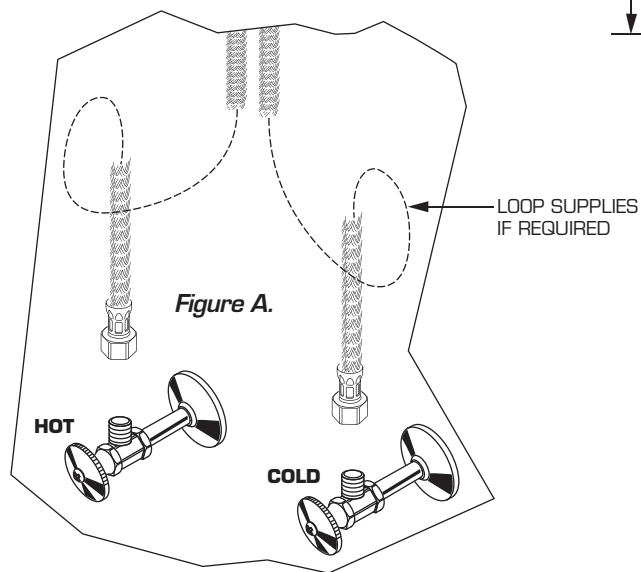


2 MAKE WATER SUPPLY CONNECTIONS

- Turn off hot and cold water supplies before beginning.
- Connect FLEXIBLE SUPPLIES **(1, 2)** directly to wall supplies. Connection on fitting supplies are 3/8" compression. Connect left supply to Hot and right supply to the Cold wall supply. Use adjustable wrench to tighten connections. Do not over tighten.
- Faucet supplies are 28" long from faucet base.

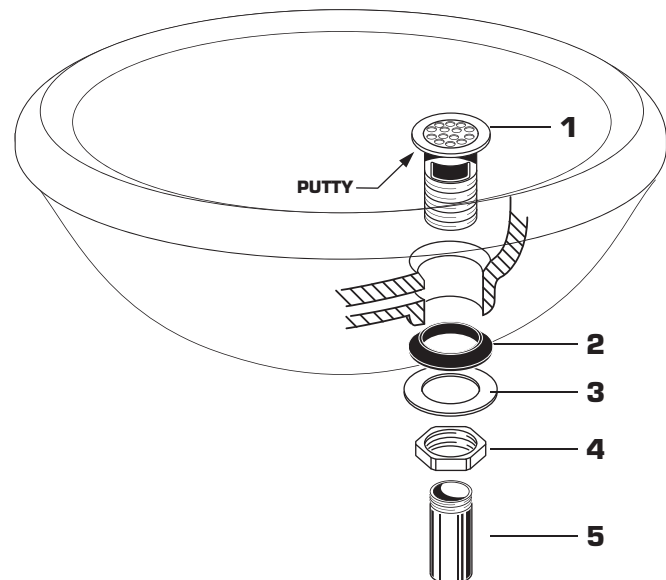
Note: If additional supply length is required, installer must purchase additional parts separately.

Important: If SUPPLY HOSES (1, 2) are too long, loop as illustrated to avoid kinking. Figure A.



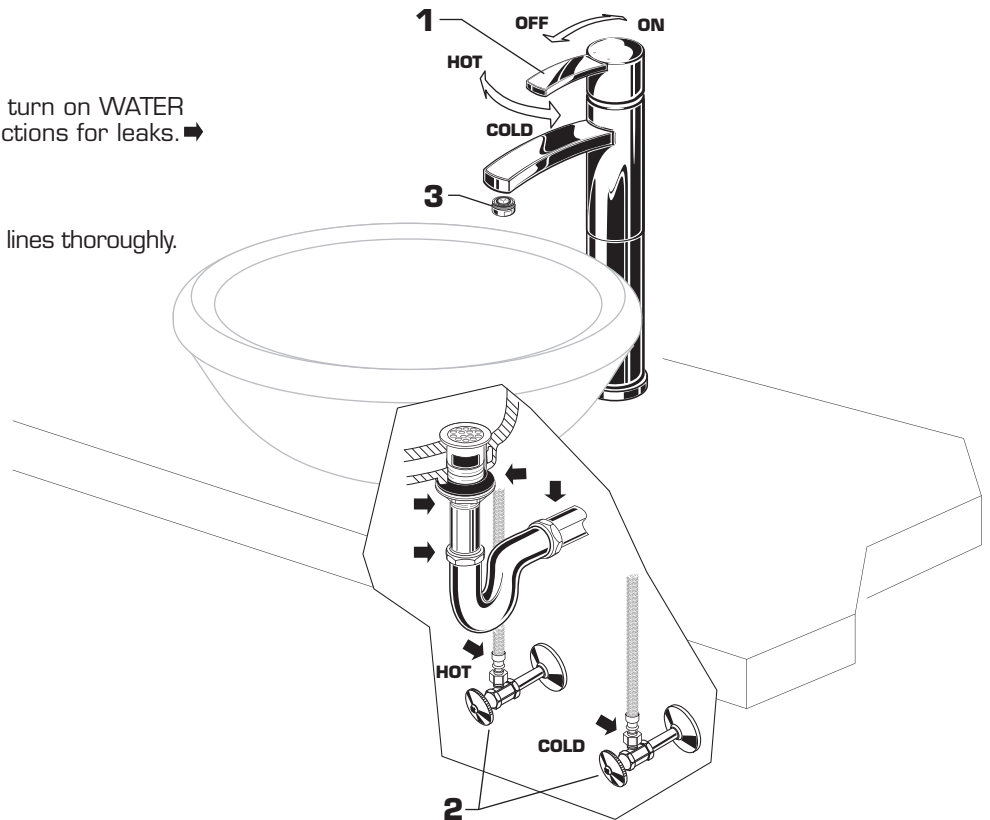
3 DRAIN INSTALLATION

- Apply a bead of PUTTY to underside of DRAIN BODY FLANGE **(1)**.
- Feed DRAIN BODY **(1)** down through lavatory.
- Assemble GASKET **(2)** WASHER **(3)** and LOCKNUT **(4)** onto DRAIN BODY **(1)**. Tighten LOCKNUT **(4)** firmly.
- Assemble TAILPIECE **(5)** to DRAIN BODY **(1)**.



4 TEST INSTALLED FAUCET AND CHECK FOR LEAKS

- With HANDLE (1) in OFF position, turn on WATER SUPPLIES (2) and check all connections for leaks. ➔
- Remove AERATOR (3).
- Operate HANDLE (1) to flush water lines thoroughly.
- Replace AERATOR (3).



5 SERVICE CAUTION Turn off hot and cold water supplies before beginning.

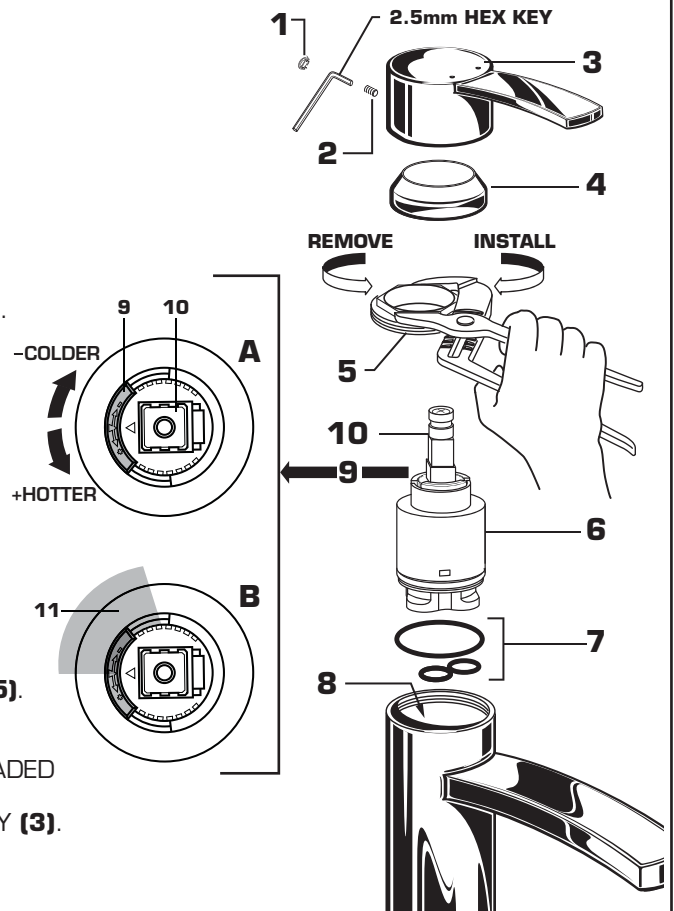
- To remove or replace cartridge:
 - Turn valve to OFF position.
 - Pull out PLUG BUTTON (1) and remove HANDLE SCREW (2).
 - Pull off HANDLE (3) and CAP (4).
 - Unthread CARTRIDGE NUT (5) and remove.
 - Pull out CARTRIDGE (6).
 - Inspect CARTRIDGE (6) and O-RINGS (7) for debris and clean if necessary.
 - Clean MANIFOLD (8) and rinse clean.
 - Reinstall CARTRIDGE (6) and O-RINGS (7) onto MANIFOLD (8).
 - Reinstall CARTRIDGE NUT (5), CAP (4) and HANDLE ASSEMBLY (3).
- If spout drips, operate handle several times from OFF to ON and HOT to COLD position. Do not force - handle turns only 90°.

ADJUST HOT LIMIT SAFETY STOP

By restricting HANDLE rotation and limiting the amount of hot water allowed to mix with the cold, the HOT LIMIT SAFETY STOP (9) reduces risk of accidental scalding. To lower the maximum hot water temperature of your faucet, all you need to do is adjust the setting on the HOT LIMIT SAFETY STOP (9).

Note: The HOT LIMIT SAFETY STOP (9) is set at the neutral setting from the factory. Fig. A.

- To adjust HOT LIMIT SAFETY STOP:
 - Remove HANDLE ASSEMBLY (3), CAP (4) and CARTRIDGE NUT (5).
 - Set the CARTRIDGE STEM (10) to the OFF position.
 - Lift up the HOT LIMIT SAFETY STOP (9).
 - Place the HOT LIMIT SAFETY STOP (9) in the desired GRAY SHADED AREA (11) to limit the hot water. Fig. B.
 - Reinstall CARTRIDGE NUT (5), CAP (4) and HANDLE ASSEMBLY (3).



6 CARE INSTRUCTIONS:

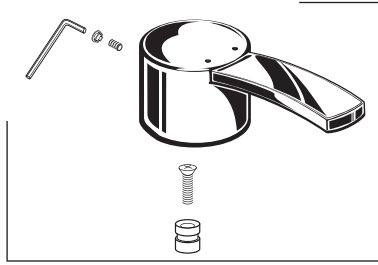
DO: SIMPLY RINSE THE PRODUCT CLEAN WITH CLEAR WATER. DRY WITH A SOFT COTTON FLANNEL CLOTH.
DO NOT: DO NOT CLEAN THE PRODUCT WITH SOAPS, ACID, POLISH, ABRASIVES, HARSH CLEANERS, OR A CLOTH WITH A COARSE SURFACE.

American Standard

**BERWICK™ / BOULEVARD™
VESSEL FITTING**

MODEL NUMBER

7430.15X / 7431.15X



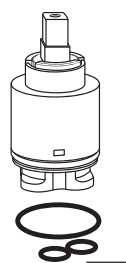
M962828-YYY0A
HANDLE KIT



607641-YYY0A
CARTRIDGE CAP



603275-0070A
CARTRIDGE NUT



M951472-0070A
CARTRIDGE

Replace the "YYY" with appropriate finish code

CHROME	002
SATIN NICKEL	295



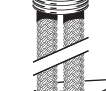
M964481-YYY0A
AERATOR (1.2 GPM)



M919342-YYY0A
EXTENSION



M962421-YYY0A
ESCUTCHEON KIT



A923480-0070A
SUPPORT PLATE



M961634-0070A
MOUNTING KIT



015025-YYY0A
DRAIN COMPLETE

070532-0040A
TAILPIECE



PART OF **LIXIL**

M968642 REV. 1.5 (3/16)

Product names listed herein are trademarks of AS America, Inc. ©2016

HOT LINE FOR HELP

For toll-free information and answers to your questions, call:

1 (800) 442-1902

Mon. - Fri. 8:00 a.m. to 8:00 p.m. EST

Saturday 10:00 a.m. to 4:00 p.m. EST

IN CANADA 1-800-387-0369

(TORONTO 1-905-306-1093)

Weekdays 8:00 a.m. to 7:00 p.m. EST

IN MEXICO 01-800-839-1200

