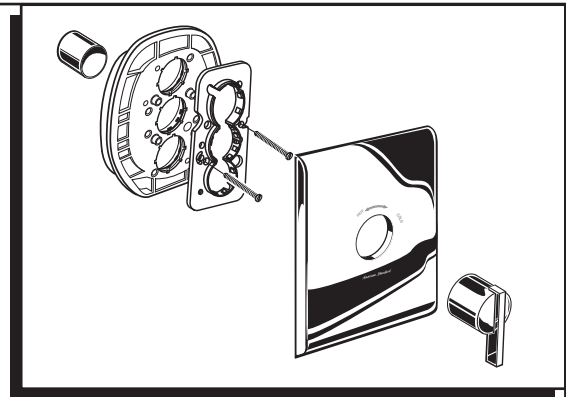


## TIMES SQUARE™ CENTRAL THERMOSTAT LESS VOLUME CONTROL TRIM KIT

T184.730



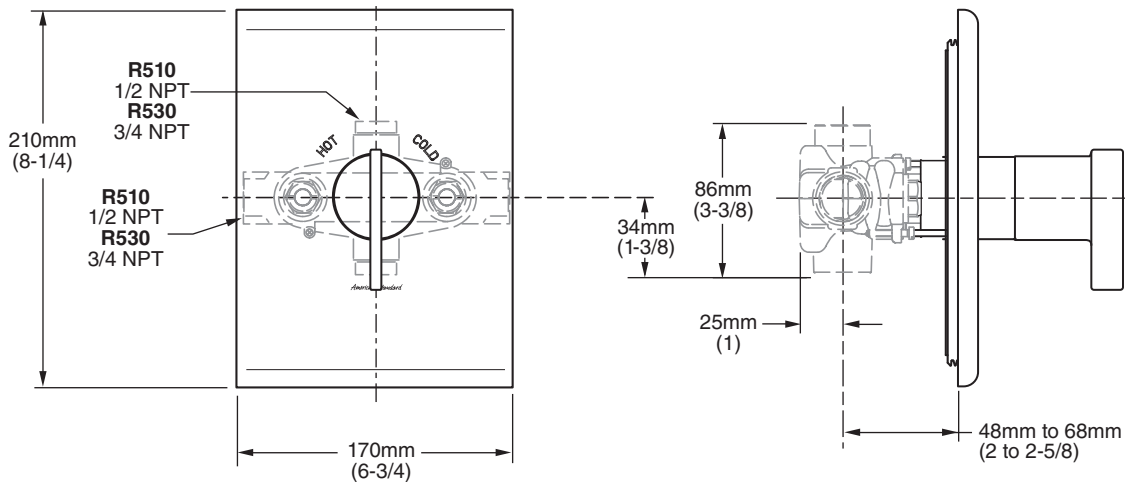
Certified to comply with ANSI A112.18.1  
ASSE 1016

*Thank you for selecting American-Standard...the benchmark of fine quality for over 100 years.*

*To ensure that your installation proceeds smoothly--please read these instructions carefully before you begin.*

M965468 REV. 1.3 (8/19)

### ROUGHING-IN DIMENSIONS



### Recommended Tools



Flat Blade Screwdriver



Phillips Screwdriver

### CARE INSTRUCTIONS:

- To keep your new faucet looking new, please follow these simple care instructions:

**DO:** ■ Simply rinse the faucet clean with clear water.  
 ■ Dry the faucet with a soft cotton cloth.

**DO NOT:**

- Do not use any abrasive cleaners, cloths, or paper towels.
- Do not use any cleaning agents containing acids, polish abrasives, or harsh cleaners or soaps.

- Regular and routine cleaning will reduce the need for heavy cleaning and polishing. If heavy cleaning is required, the following procedures are recommended:

- Remove as much surface dirt and film using clear water and soft cotton cloth (as described above).

- Use any of the following to remove tough surface film and build-up:

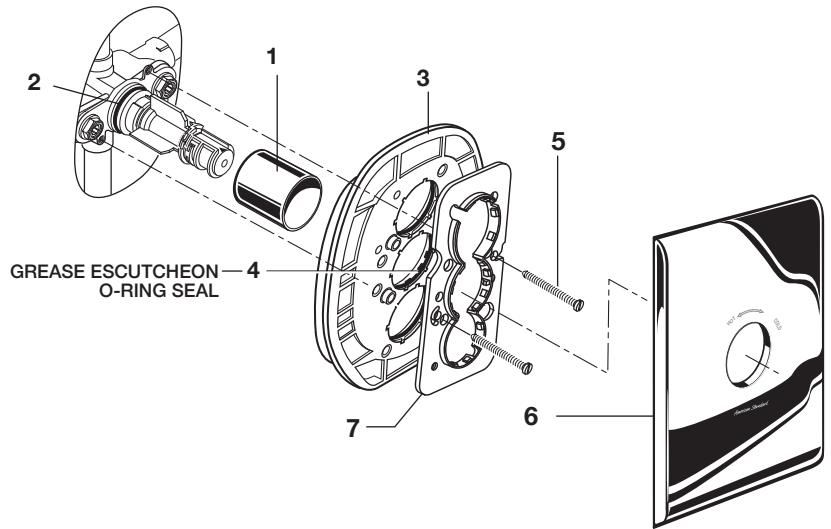
- Mild liquid detergents
- Clear ammonia free liquid glass cleaners
- Non-acidic, non-abrasive gentle liquid or fully dissolved powder cleansers mixed according to manufacturers directions.
- Non-abrasive liquid polishers

- Once clean, rinse faucet again with clear water to thoroughly remove cleaner or polish and blot dry with a soft cotton cloth.

***Failure to follow these care instructions may damage the Faucet's finish.***

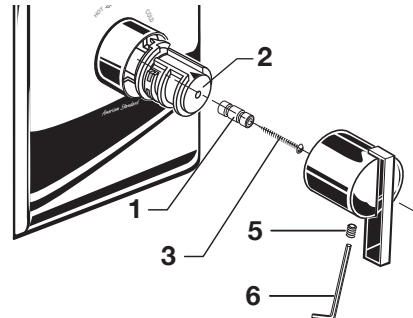
# 1 TRIM INSTALLATION

- Push CAP (1) over the O-RING SEAL (2).
- Push ESCUTCHEON HOLDER (3) with lightly greased O-RING SEAL (4) over CAP (1).
- Attach the FIXATION PLATE (7) to the ESCUTCHEON HOLDER (3) with the two SCREWS (5) provided.
- Push ESCUTCHEON (6) flush against finished wall.



# 2 HANDLE INSTALLATION

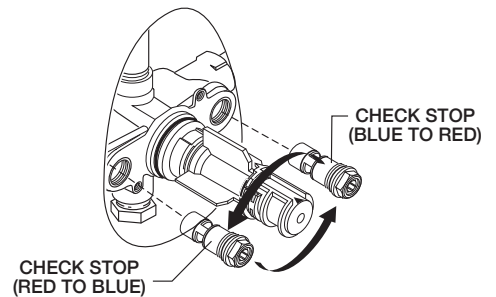
- Install HANDLE ADAPTER (1) onto TEMPERATURE CONTROL KNOB (2) and tighten with SCREW (3).
- Align HANDLE (4) and push onto TEMPERATURE CONTROL KNOB (2).
- Tighten SET SCREW (5) in handle with HEX WRENCH (6) SUPPLIED.



# 3 TRANSPOSED SUPPLY PIPING OR BACK TO BACK INSTALLATION

*Should the hot and cold water supply pipes have been transposed making adjustment impossible, proceed as follows:*

- Shut off water supply.
- Remove handle and rim
- Remove check stops and re-install them transposed.
- Important note: RED CHECK STOP is now on the right of the mixer body and the BLUE CHECK STOP is now on the left.
- Turn the water supply back on and perform the temperature adjustment in step 4.

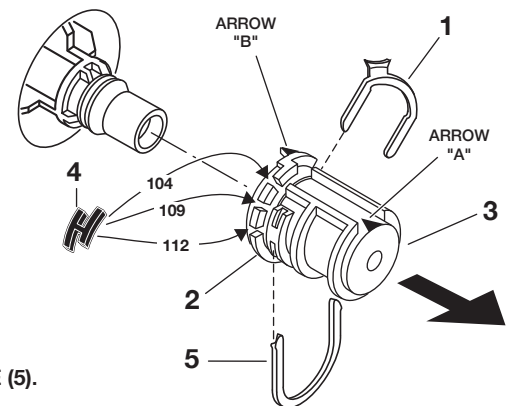


# 4 TEMPERATURE CALIBRATION

- Check that arrow marking B points vertically upwards. If not, push the BLACK CLAMP (1) on the SECURING RING (2) to the right, pull off KNOB MOUNT (3) and reinstall KNOB MOUNT (3) with arrow "B" pointing upwards.

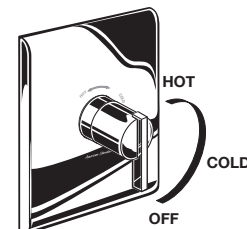
## SET HOT LIMIT STOP

- The maximum mixed water temperature is set at 109°F at the factory. This setting can be changed if desired.
- Remove the TEMPERATURE LIMIT STOP (4) (H shaped Red Plastic part). Reinstall it at the desired notch as indicated in the diagram to limit the maximum mixed water temperature to 104°F or 112°F.
- For 100°F adjustment, turn the water supply on. Turn KNOB MOUNT (3) until the spout temperature is 100°F. Check that arrow marking A on the KNOB MOUNT (3) still points upward after adjusting the thermostat to 100°F. If not, pull out the RED LOCKING DEVICE (5). Remove KNOB MOUNT (3) without turning by sliding out as indicated by the arrow.
- Reinstall the KNOB MOUNT (3) so that the arrow marking A points upwards.
- Reinstall RED LOCKING DEVICE (5).



# 5 OPERATING THE VALVE

- Turn on water supply on and test installed fitting.
- If the system is delivering all Hot or all Cold and no mixed water the pipes are probably transposed. See step 3 for *TRANSPOSED SUPPLY PIPING*.
- Operate valve from off to cold to hot. Check temperature. If max mixed water temperature is to hot or to cold see step 4 and re-calibrate the valve.

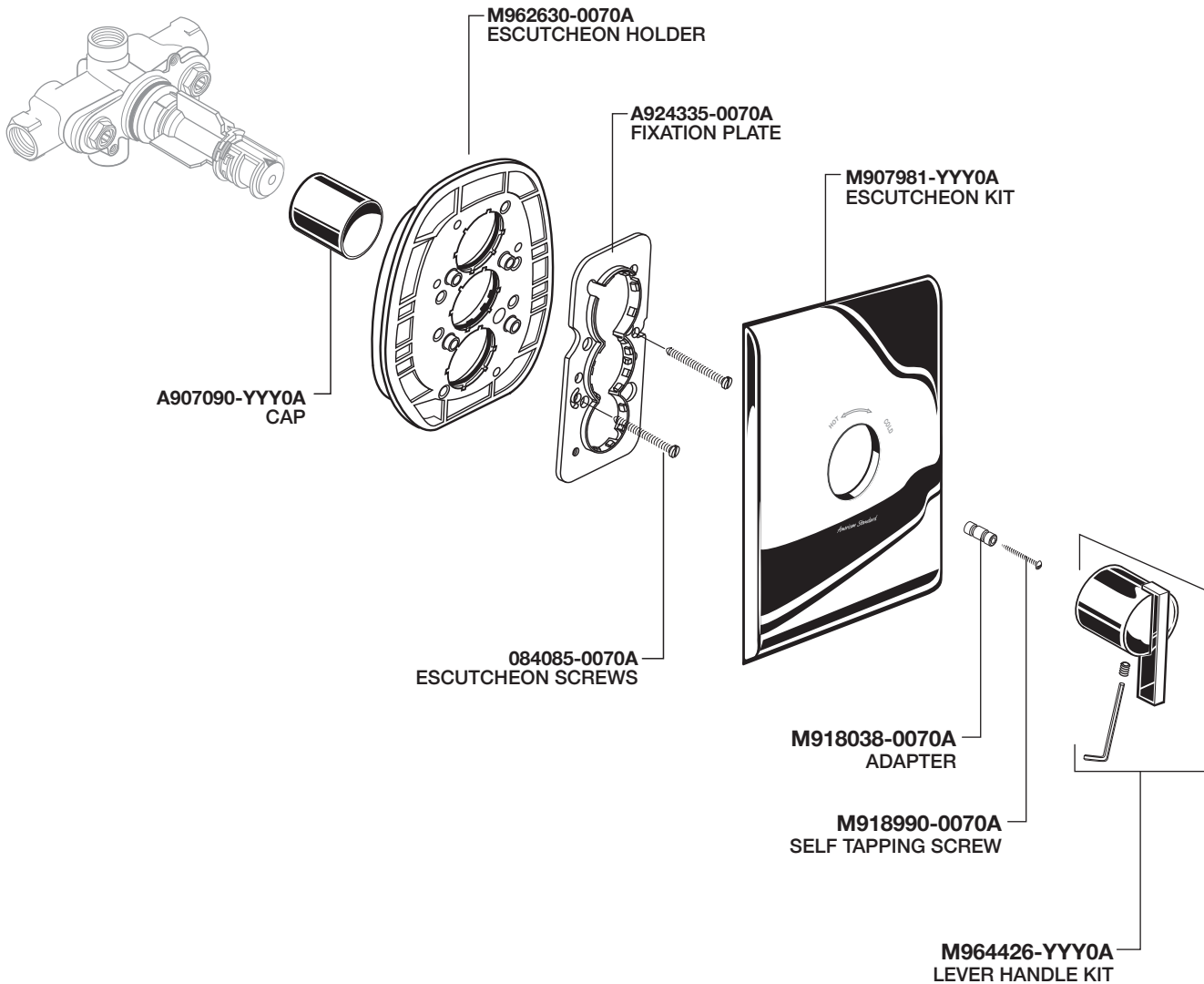


*American Standard*

**TIMES SQUARE™  
CENTRAL THERMOSTAT  
LESS VOLUME CONTROL  
TRIM KIT**

MODEL NUMBERS

**T184.730**



Replace the "YYY" with appropriate finish code

CHROME	002
SATIN NICKEL	295

**HOT LINE FOR HELP**

For toll-free information and answers to your questions, call:  
1 (800) 442-1902

Mon. - Fri. 8:00 a.m. to 8:00 p.m. EST  
Saturday 10:00 a.m. to 4:00 p.m. EST

IN CANADA 1-800-387-0369  
(TORONTO 1-905-306-1093)

Weekdays 8:00 a.m. to 7:00 p.m. EST

IN MEXICO 01-800-839-1200



Product names listed herein are trademarks of American Standard Inc.  
© AS America, Inc. 2019

**PART OF LIXIL**

M965468 REV. 1.3 (8/19)