

# Installation Instructions

## SELECTRONIC® Integrated Faucet with Above-Deck Mixing

### MODEL NUMBERS

705X.105 705X.205  
705X.115 705X.215

**CAUTION:** Use only American Standard supplied transformers and cable sets. Using non-AS supplied cables, or cutting, splicing or modifying any components will void the warranty.

**Product No.'s & Options** 1

**Specifications** 2

**Faucet Installation** 2

**Electrical Installation** 3-4

**Start-up / Maintenance** 5-9

**FAQ's / Troubleshooting** 9-10

**Parts** 11



Certified to comply with ASME A112.18.1  
© 2017 American Standard

*American Standard*

**NOTE TO INSTALLER: Please give this manual to the customer after installation.**

To learn more about American Standard Selectronic® Products visit our website at: [www.americanstandard-us.com](http://www.americanstandard-us.com)  
or e-mail us at: [CRTTEAM@lixilamericas.com](mailto:CRTTEAM@lixilamericas.com)

**For Parts, Service, Warranty or other Assistance,**  
please call (844) CRT-TEAM / (844) 278-8326 (In Canada: 1-800-387-0369)  
(In Toronto Area only: 1-905-306-1093)

*American Standard*  
**CRT**  
Certified Response Technician

Thank you for selecting American-Standard...the benchmark of fine quality for over 100 years. To ensure that your installation proceeds smoothly--please read these instructions carefully before you begin.

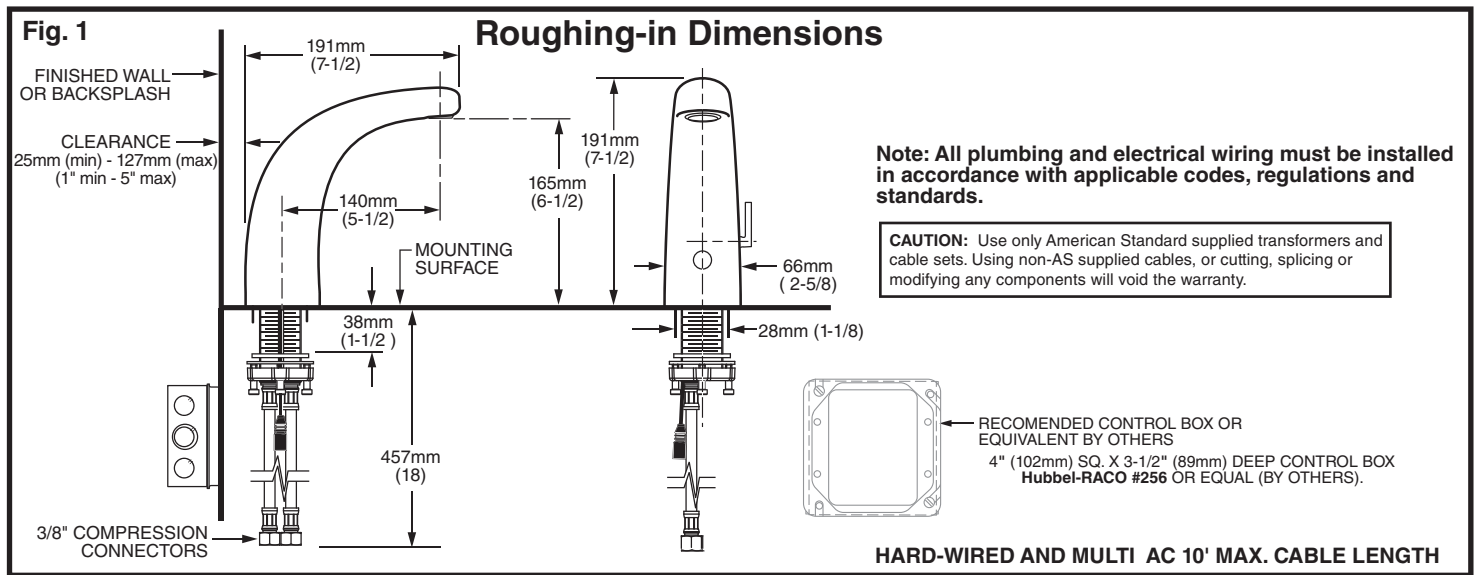
# UNPACKING

All American Standard Faucets Are Water Tested At Our Factory. Some Residual Water May Remain In The Faucet During Shipping.

The illustration below shows the fitting and all loose items after they have been removed from the carton. Some items may be packaged partially assembled to other items.

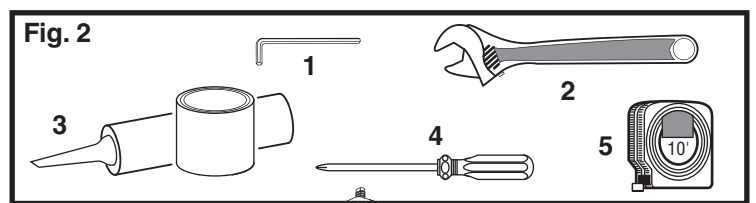
- |                                 |   |
|---------------------------------|---|
| 1. Installation Instructions    | 4. 4" Deck plate (optional, must be ordered separately) |
| 2. Spout Assembly (less mixing) | 5. Mixing Valve (optional, must be ordered separately)  |
| 2a. Spout Assembly (mixing)     | 6. Inline Filter(s)                                     |
| 3. Mounting Kit                 | 7. Assembly Parts                                       |

Base Product		<b>POWER KITS SOLD SEPARATELY</b>			
		<b>PWRX Power Kit</b> PK00.WRK 	<b>Plug-In AC Power Kit</b> PK00.PAC 	<b>Hard-Wired AC Power Kit</b> PK00.HAC 	<b>Multi-AC Power Kit</b> PK00.MAC 
Deck Plate	<b>705P400</b> 	<b>Mixing Valve</b> <b>605XTMV1070</b> 			



## TOOLS REQUIRED; Fig. 2

- |                                   |                        |
|-----------------------------------|------------------------|
| 1 2.5 mm Hex Wrench<br>(Included) | 4 Phillips Screwdriver |
| 2 Adjustable Wrench               | 5 Tape Measure         |
| 3 Plumbers' Putty or Caulking     |                        |



## INSTALLATION

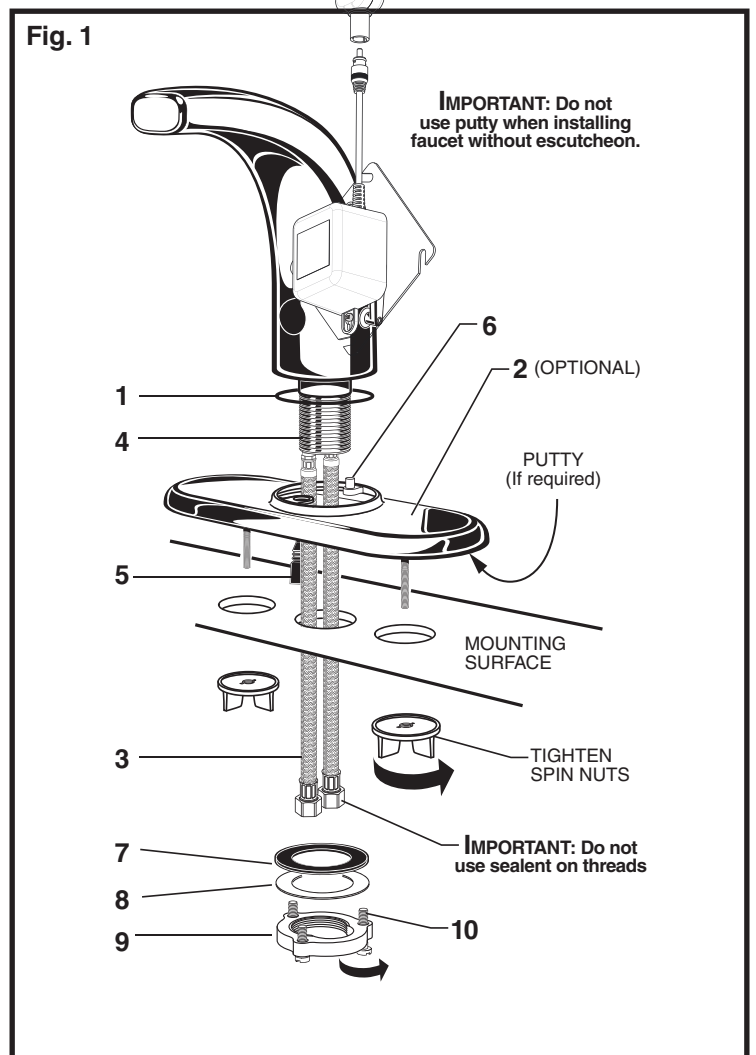
### 1 SPOUT ASSEMBLY INSTALLATION; Fig. 1

**CAUTION** Turn off hot and cold water supplies before beginning

1. Make sure O-RING (1) is installed in spout base. If installing ESCUTCHEON (2) (optional): Apply a bead of putty to bottom edge of ESCUTCHEON PUTTY PLATE (2).

**IMPORTANT: Do not use putty when installing faucet without escutcheon.**

2. Insert supply HOSES (3), SHANK (4) and SENSOR CABLE (5) (if equipped) through hole in ESCUTCHEON with PUTTY PLATE (2) and mounting surface. (Make sure PIN (6) is in back).
3. Assemble RUBBER WASHER (7), BRASS WASHER (8) and THREADED LOCKNUT (9) onto SHANK (4) from underside of sink or mounting surface. Hand tighten LOCKNUT (9).
4. Use a screwdriver to tighten SCREWS (10) on LOCKNUT (9). Work your way around LOCKNUT (9), tightening the screws slightly each time until all are snug to ensure even pressure.



# ELECTRICAL INSTALLATION

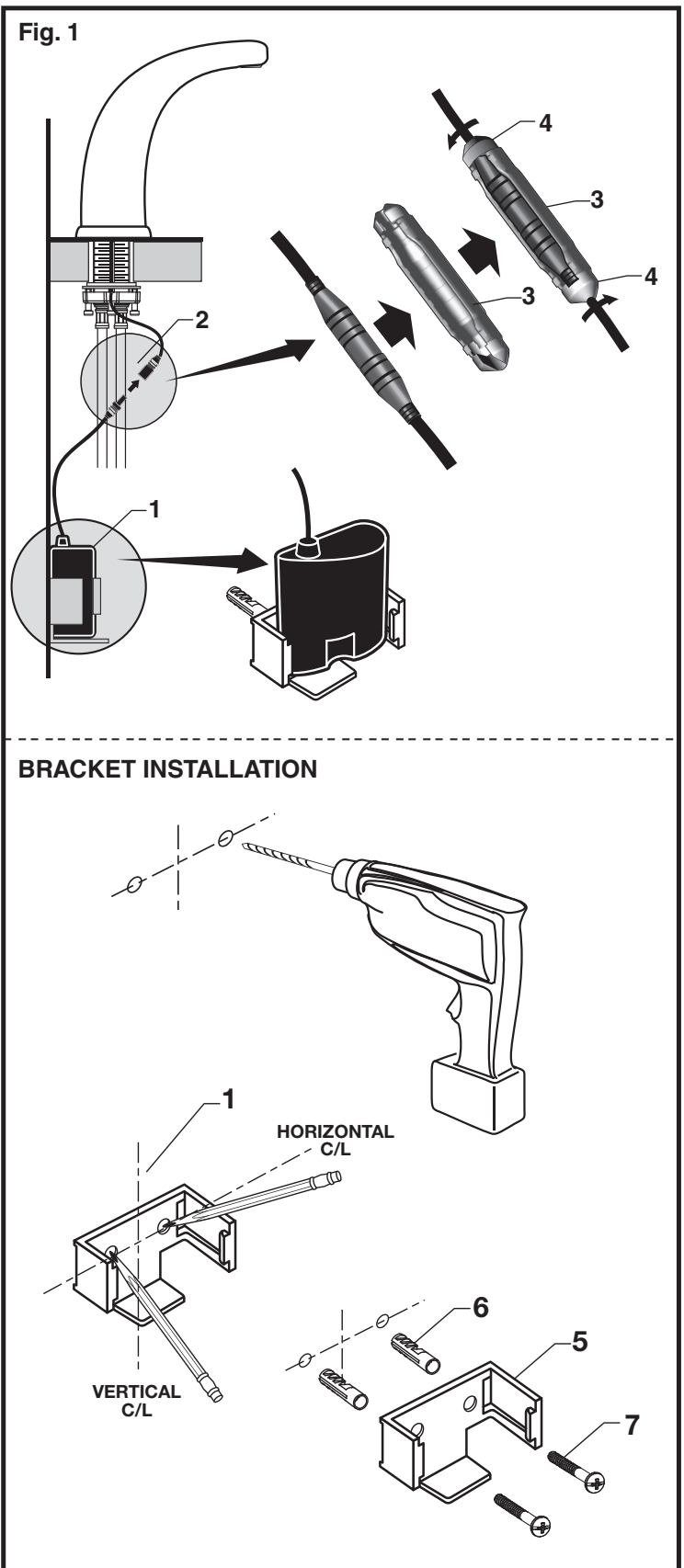
Product	Page
PWRX Power Kit (PK00.WRK)	4
Plug-in AC Powe Kit (PK00.PAC)	5
Hard-Wired AC Prower Kit (PK00.HAC)	5
MULTI-AC Power Kit (PK00.MAC)	5

## A PWRX 10-Year Battery Pack

**Important:** The 7055 series faucets come with the standard CR-P2 lithium battery installed in the faucet. No further action required.

### PWRK™ VERSION;

1. Connect PWRX BATTERY PACK (1) to SENSOR CABLE (2).
2. Secure the connections by installing into CONNECTOR LOCKING DEVICE (3) as shown. Rotate the END CAPS (4) to secure the connection within the CONNECTOR LOCKING DEVICE (3).
3. Determine the mounting location of the PWRX BATTERY PACK (1) by marking center lines as shown.
4. Place the BRACKET (5) on the horizontal center line and mark the location of the mounting holes to be drilled.
5. Using 1/4" diameter drill bit, drill two mounting holes approximately 1" deep.
6. Install the two ANCHORS (6) provided into the mounting holes. Use a hammer to lightly tap the ANCHORS (7) into place and flush with the finished wall.
7. Place the BRACKET (5) over the ANCHORS (6) and secure with the SCREWS (7) provided. Do not overtighten.
8. Insert PWRX BATTERY PACK (1) into BRACKET (5).



## B AC VERSIONS (HARD-WIRED / PLUG-IN POWER SUPPLY) ; Fig. 2

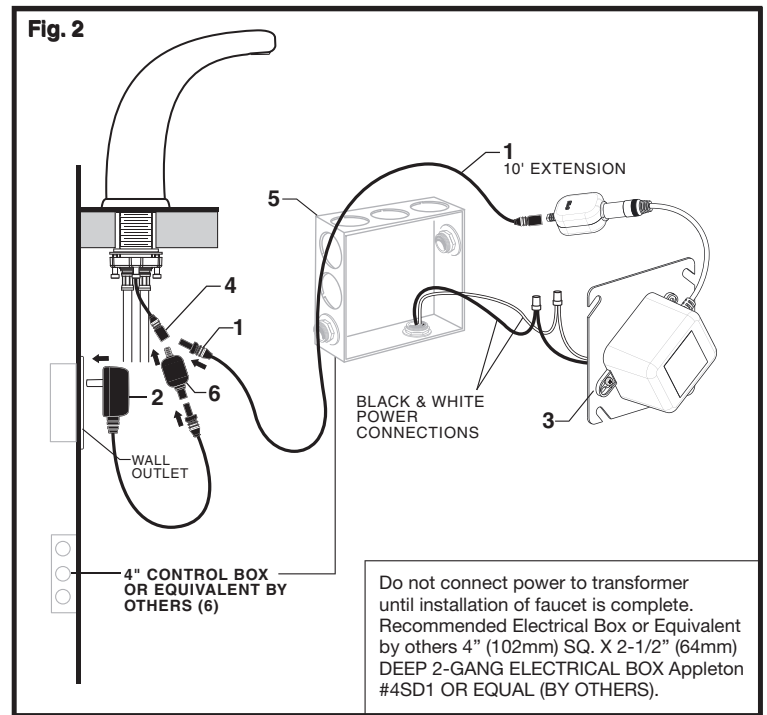
**Important:** Turn off power to outlet or electrical box.  
**FOR PLUG-IN VERSION;**

1. Connect PLUG-IN AC POWER SUPPLY (2) to one end of the SINGLE AC ADAPTER (6).
2. Connect SENSOR CABLE (4) to the other end of the SINGLE AC ADAPTER (6).
3. Connect PLUG-IN AC POWER SUPPLY (2) to wall outlet.

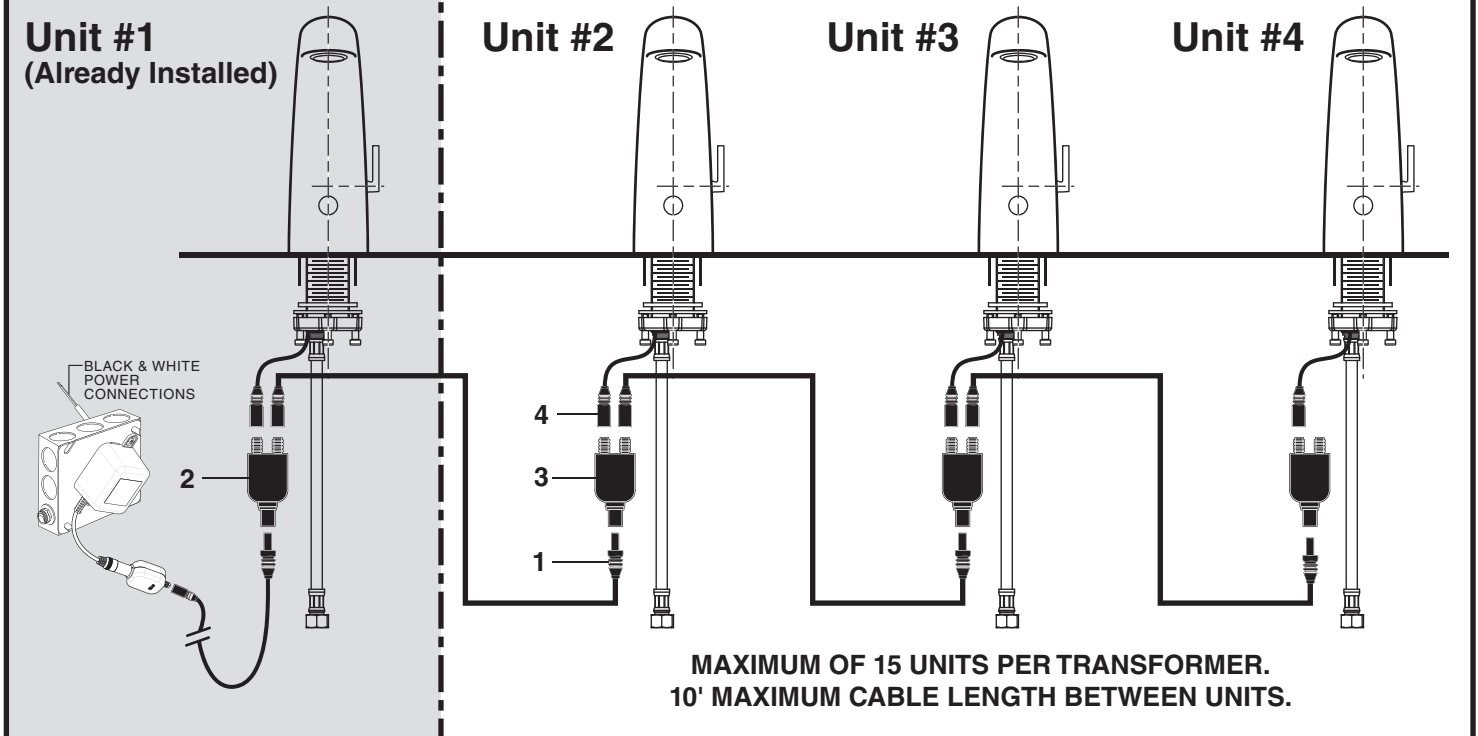
**FOR HARD-WIRED VERSION;**

1. Connect 10' EXTENSION CABLE (1) to HARD-WIRED AC TRANSFORMER (3).
2. Connect SENSOR CABLE (4) to the other end of the 10' EXTENSION CABLE (1).
3. Make Black and White power line connections to HARD-WIRED AC TRANSFORMER (3) and mount on ELECTRICAL BOX (5).

**CAUTION:** Use only American Standard supplied transformers and cable sets. Using non-AS supplied cables, or cutting, splicing or modifying any components will void the warranty.



**Fig. 3**



## C MULTI-AC VERSION (DAISY-CHAIN); Fig. 3

**Important:** Disconnect the first unit's Y-Adapter from power supply before making daisy-chain connections.

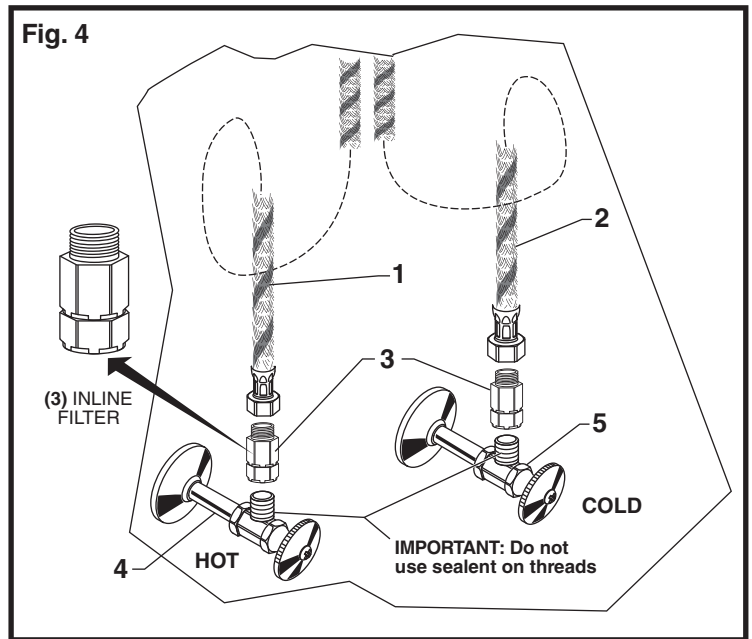
**Note:** For Unit #1 electrical instructions, refer to section B (page 3).  
 For subsequent Units, refer to instructions below...

1. Connect one end of the 10' EXTENSION (1) to the available terminal of the previous unit's Y-ADAPTER (2), and the other end to the single terminal of the current unit's Y-ADAPTER (3).
2. Connect SENSOR CABLE (4) to either of the two available terminals of Y-ADAPTER (3).
3. Repeat Steps above for each additional Unit, for a Max. of 15 Units on one AC POWER SUPPLY.

## D MAKE WATER SUPPLY CONNECTIONS; Fig. 4

1. Turn off hot and cold water supplies before beginning.
2. Place each INLINE FILTER (3) on each wall supply outlet. Be sure that INLINE FILTER (3) is inserted in the correct direction. (See Illustration)
3. Connect HOT FLEXIBLE SUPPLY (marked with red stripe) (1) to INLINE FILTER (3) on hot water control stop (4). Connect COLD FLEXIBLE SUPPLY (marked with blue stripe) (2) to INLINE FILTER (3) on cold water control stop (5). Use adjustable wrench to tighten connections. Do not over tighten.
4. Faucet supplies are 18" long from faucet base.

**Note; If additional supply length is required, installer must purchase those parts separately. Important; If SUPPLY HOSES (1, 2) are too long, loop as illustrated to avoid kinking.**

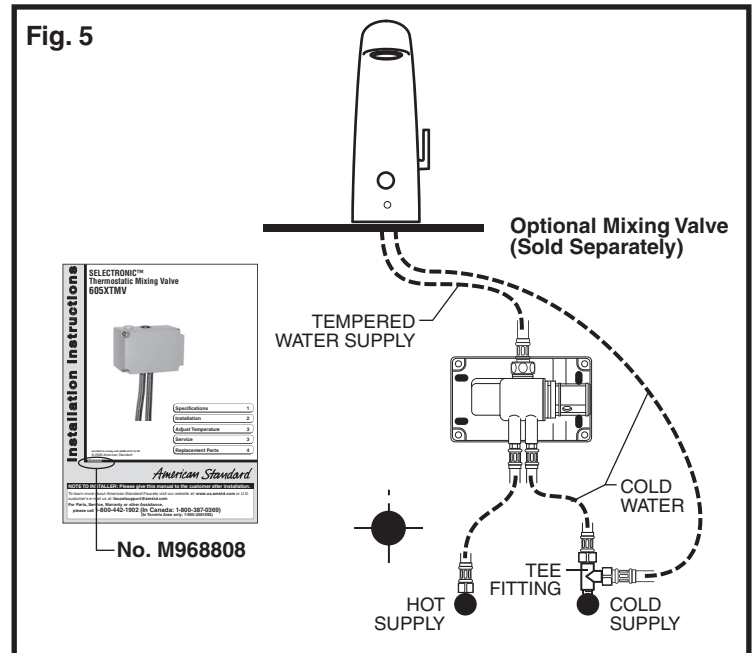


## E INSTALL OPTIONAL MIXING VALVE; Fig. 5

**Note: An optional Thermostatic Mixing Valve may be installed (sold separately) on faucets 705X.1XX & 705X.2XX in addition to Above Deck Mixing valve. See setup diagram Fig. 5.**

**Tee fitting is not supplied with Faucet or Thermostatic Mixing valve and must be purchased separately. If faucet inlet hoses will not reach water supplies, longer hoses must be purchased separately.**

**For complete detailed installation and operating instructions, see installations instructions (No. M968808) supplied with Thermostatic Mixing Valve.**



## MAINTENANCE

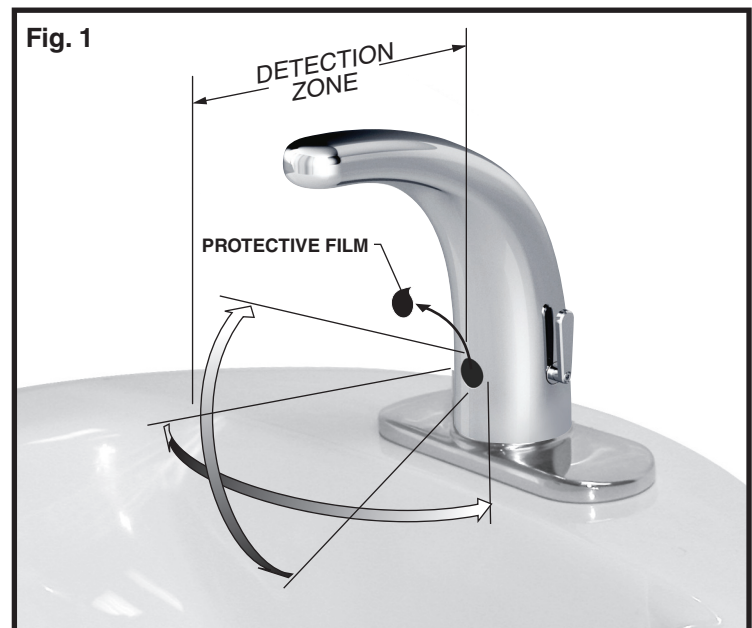
### A HAND WASH SENSOR OPERATION; Fig. 1

**REMOVE PROTECTIVE FILM FROM SENSOR EYE WHEN INSTALLATION IS COMPLETE.**

When the Sensor detects a user, the water immediately starts to flow. Water flow will stop 1.5 seconds after user is out of sensor range. This Comfort delay allows the user to comfortably move their hands without the water turning off.

As a precaution, a Safety Timer will turn off the water, after the sensor has been blocked for 59 seconds. The water will stay off until the blockage is removed from the detection zone.

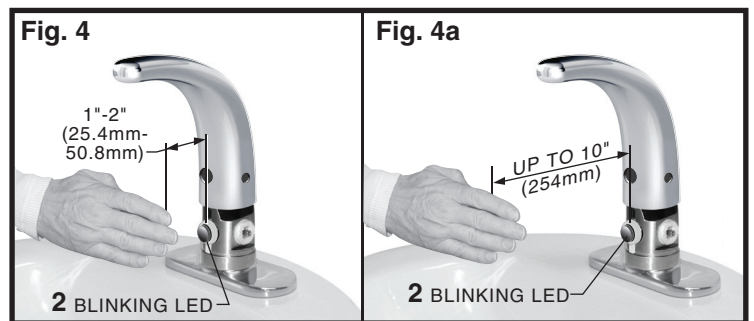
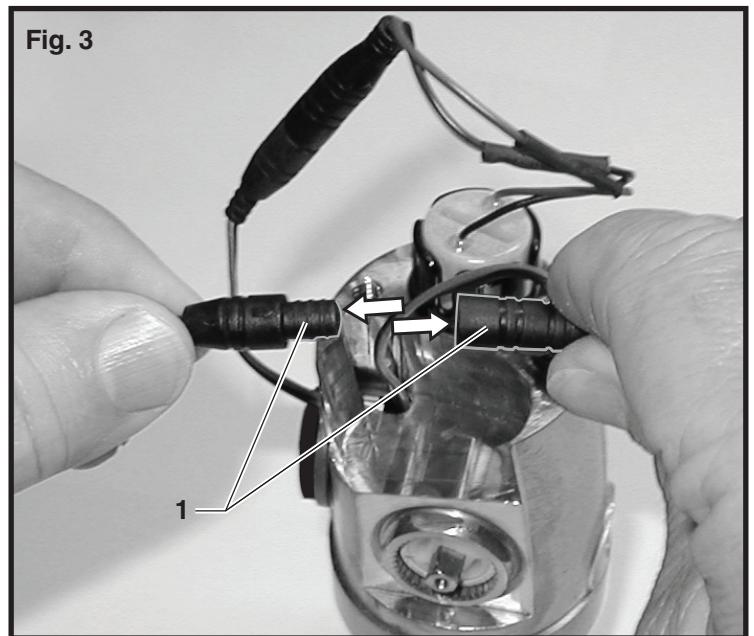
The Comfort and Safety time settings can be adjusted using the Optional Remote Control (605XRCT).



## **B CHANGE SENSOR RANGE; (Factory set at 6") Fig. 2, 3, 4, & 4a**

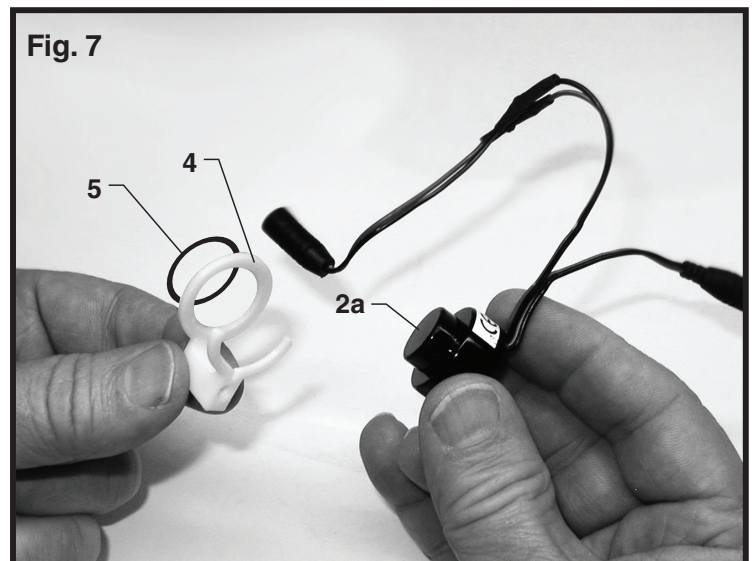
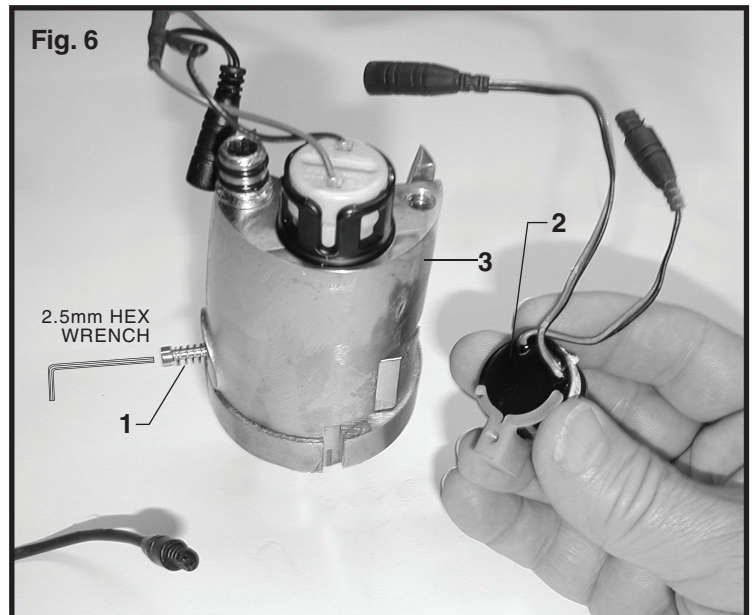
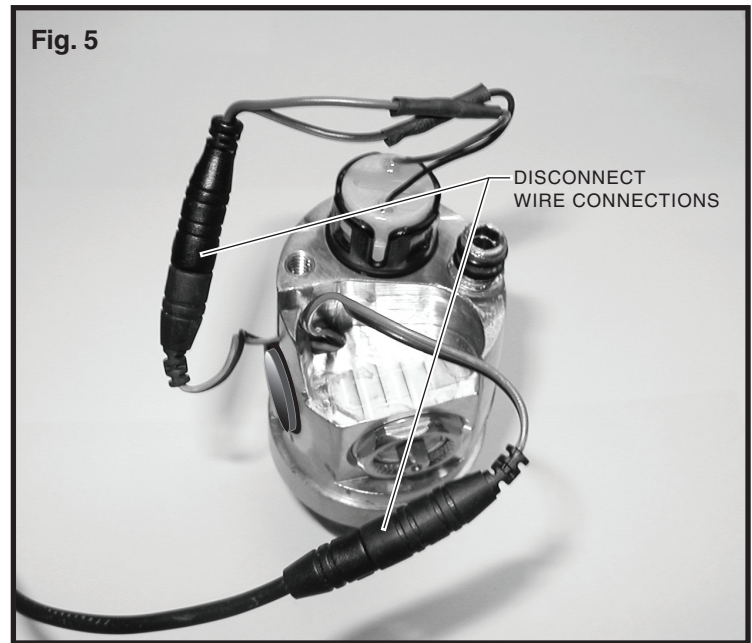
1. Remove the FAUCET SPOUT (1) by unthreading the LEVER SCREW (2) and pulling off the LEVER HANDLE (3). Unthread the FAUCET SPOUT SCREW (4) at the back of the FAUCET. Pull FAUCET SPOUT (1) up and off. **Fig. 2.**
2. Disconnect the BLACK POWER SUPPLY CONNECTOR (1) and reconnect. **Fig. 3.**
3. While the SENSOR CONTROL LED (2) is blinking slowly, place your hand 1 - 2 in. (25.4-50.8mm) in front of the sensor. **Fig. 4.**
4. When the LED stops blinking and stays "ON", move your hand to the desired position and hold in place until the LED begins to blink again. **Fig. 4a.**
5. Once the SENSOR CONTROL LED (2) begins to blink again, remove your hand from the detection zone. When the flashing stops, the detection distance is set.
6. Replace FAUCET SPOUT (1) and LEVER HANDLE (3). Install LEVER HANDLE SCREW (2), FAUCET SPOUT SCREW (4) and tighten. **Fig. 2.**

**Note: The LEVER HANDLE (3) can be removed to prevent users from adjusting the water temperature. Replace the LEVER HANDLE (3) with PLUG BUTTON (5) as shown. Fig. 2.**



## **C REPLACE SENSOR; Fig. 5, 6 & 7.**

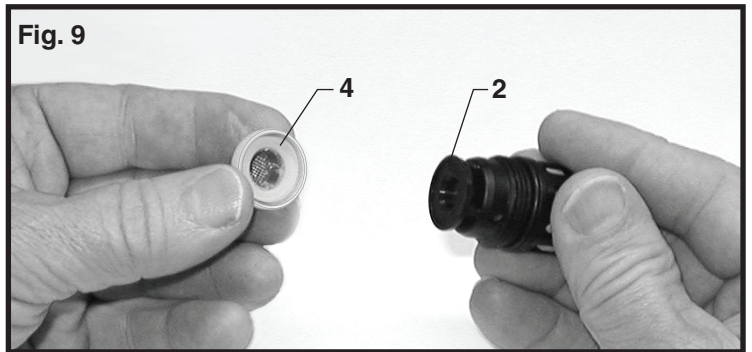
1. Remove the FAUCET SPOUT (1) by unthreading the LEVER SCREW (2) and pulling off the LEVER HANDLE (3). Unthread the FAUCET SPOUT SCREW (4) at the back of the FAUCET. Pull FAUCET SPOUT (1) up and off. See Fig. 2 in this section.
2. Disconnect both ELECTRICAL CONNECTIONS. Fig. 5.
3. Untighten SENSOR SCREW (1) with a 2.5mm HEX WRENCH. Remove SENSOR ASSEMBLY (2) from FAUCET SPOUT (3). Remove O-RING (5). Remove SENSOR (2a) from CARRIER (4) and replace with new SENSOR (2a). Replace O-RING (5). Install SENSOR ASSEMBLY (2) into FAUCET SPOUT (3). Tighten SENSOR SCREW (1). Fig. 6, 7.
4. Replace FAUCET SPOUT (1) and LEVER HANDLE (3). Install LEVER HANDLE SCREW (2), FAUCET SPOUT SCREW (4) and tighten. See Fig. 2 in this section.





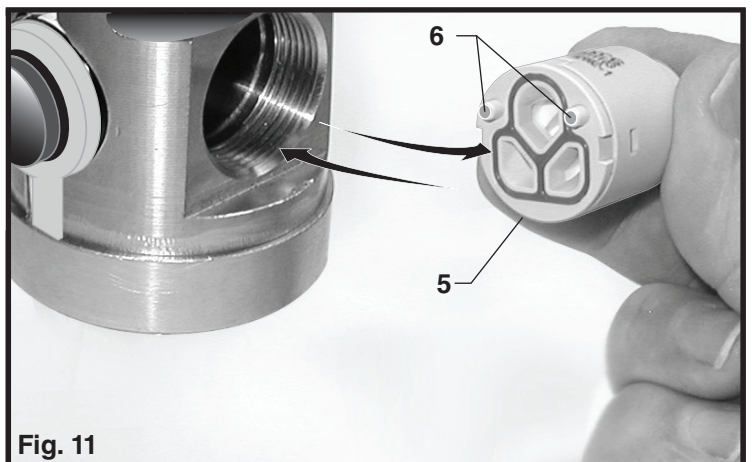
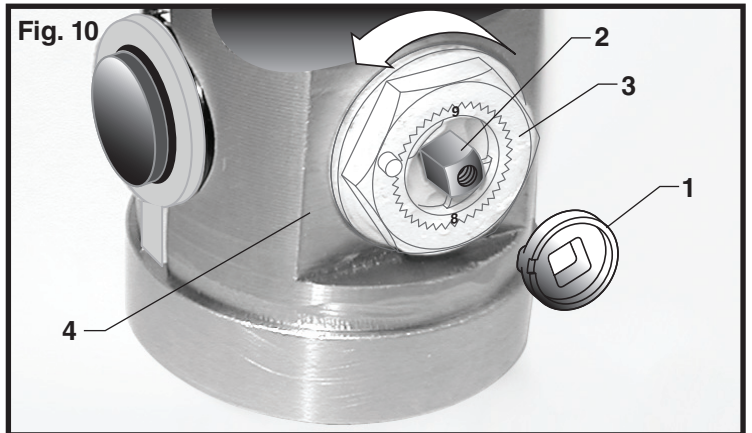
## **D** CLEAN FILTER SCREEN ON SOLENOID VALVE; Fig. 8 & 9

1. Remove the FAUCET SPOUT (1) by unthreading the LEVER SCREW (2) and pulling off the LEVER HANDLE (3). Unthread the FAUCET SPOUT SCREW (4) at the back of the FAUCET. Pull FAUCET SPOUT (1) up and off. See Fig. 2 in this section.
2. Disconnect SENSOR CABLE (1) from SOLENOID CABLE (2). Fig. 8.
3. Unthread SOLENOID VALVE (2) from VALVE BODY (3). Fig. 9.
4. Remove FILTER SCREEN (4) from base of SOLENOID VALVE (2). Clean and replace. Fig. 9.
5. Thread SOLENOID VALVE (2) into VALVE BODY (3) and hand tighten. Reconnect SENSOR and SOLENOID CABLES (1). Fig. 8.
6. Replace FAUCET SPOUT (1) and LEVER HANDLE (3). Install LEVER HANDLE SCREW (2), FAUCET SPOUT SCREW (4) and tighten. See Fig. 2 in this section.



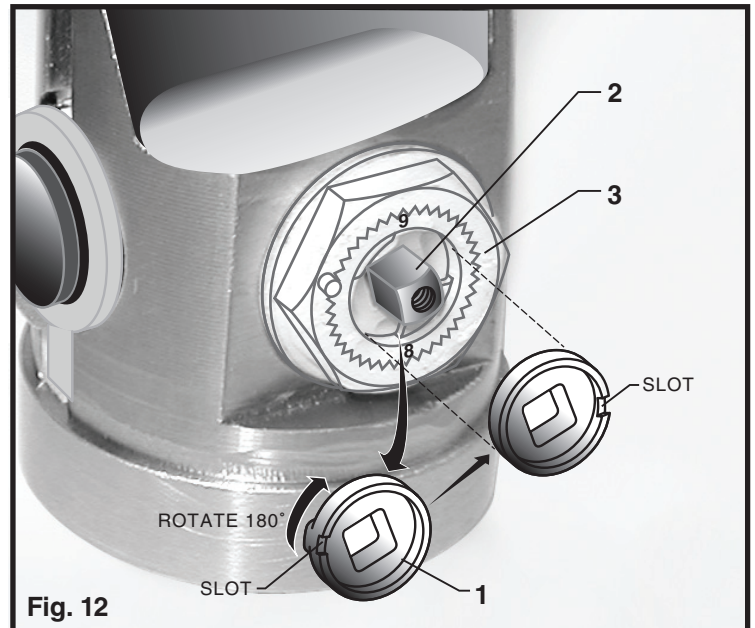
## **E** REPLACE DIVERTER CARTRIDGE; Fig. 10 & 11

1. Remove the FAUCET SPOUT (1) by unthreading the LEVER SCREW (2) and pulling off the LEVER HANDLE (3). Unthread the FAUCET SPOUT SCREW (4) at the back of the FAUCET. Pull FAUCET SPOUT (1) up and off. See Fig. 2 in this section.
2. Pull out LIMITER STOP (1) from the VALVE STEM (2). Unthread COLLAR NUT (3) from VALVE BODY (4). Fig. 10.
3. Pull DIVERTER CARTRIDGE (5) out and replace with new DIVERTER CARTRIDGE (5).  
NOTE: Make sure the two ALIGNMENT PINS (6) in the base of the DIVERTER CARTRIDGE (5) are facing upward. Fig. 11.
4. Replace FAUCET SPOUT (1) and LEVER HANDLE (3). Install LEVER HANDLE SCREW (2), FAUCET SPOUT SCREW (4) and tighten. See Fig. 2 in this section.



## **F CHANGE HOT LIMIT SETTING FROM 95% TO 85%; Fig. 12**

1. Remove the FAUCET SPOUT (1) by unthreading the LEVER SCREW (2) and pulling off the LEVER HANDLE (3). Unthread the FAUCET SPOUT SCREW (4) at the back of the FAUCET. Pull FAUCET SPOUT (1) up and off. See Fig. 2 in this section.
2. Replace LEVER HANDLE and rotate counter-clockwise to its stop position (100% cold). Remove HANDLE.
3. Pull out LIMITER STOP (1) from the VALVE STEM (2).
4. Rotate LIMITER STOP (1) 180 degrees and insert back onto VALVE STEM (2).
5. Replace FAUCET SPOUT (1) and LEVER HANDLE (3). Install LEVER HANDLE SCREW (2), FAUCET SPOUT SCREW (4) and tighten. See Fig. 2 in this section.



## **G GENERAL CLEANING; Fig. 13**

1. Only use a damp, soft cloth to clean the spout and the sensor.
2. For tougher dirt, use a soft cloth with diluted dish washing detergent. Wipe the area using a wet cloth and dry using a soft cloth.

### **CAUTION**

**Do not scratch the sensor when cleaning. Avoid using any abrasives or harsh detergents or chemicals.**



## **FAQ'S**

**Q:** How will I know if the battery needs to be replaced?

**A:** Valve will not open and sensor will continuously blink 2 times interrupted by a pause for up to 7 days.

**Q:** Why has the flow rate of the faucet reduced significantly?

**A:** The filter assembly, flow regulator or areator/spray may be clogged. Check and clean. Refer to Start-up/Maintenance, sections C, D and E.

**Q:** Why doesn't the water flow out of faucet when I'm within the sensor detection zone?

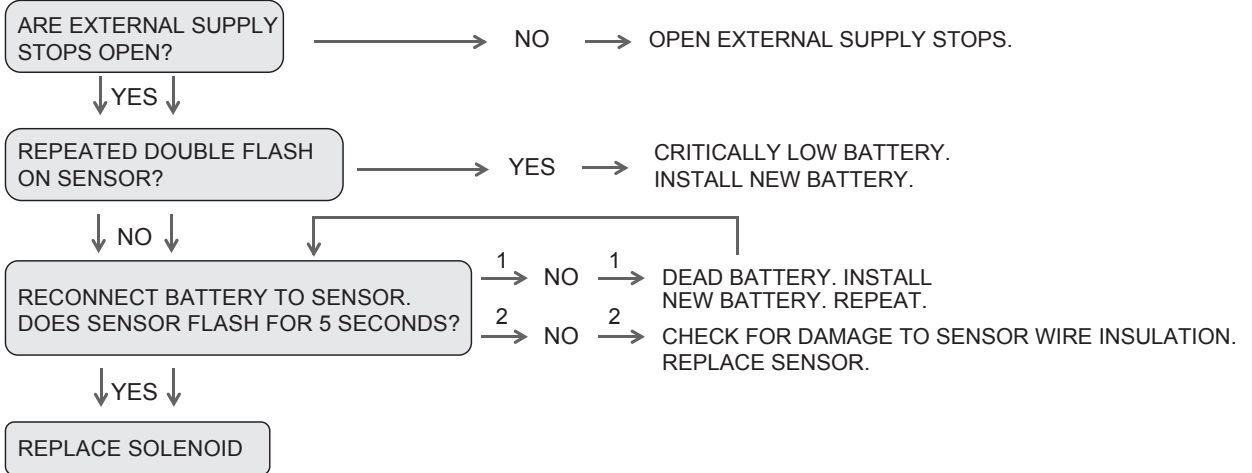
**A:** Battery may need replacement. Check. If sensor continuously blinks 2 times interrupted by pause, replace battery or call (844) CRT-TEAM / (844) 278-8326.

**Q:** What is the normal operating pressure range?

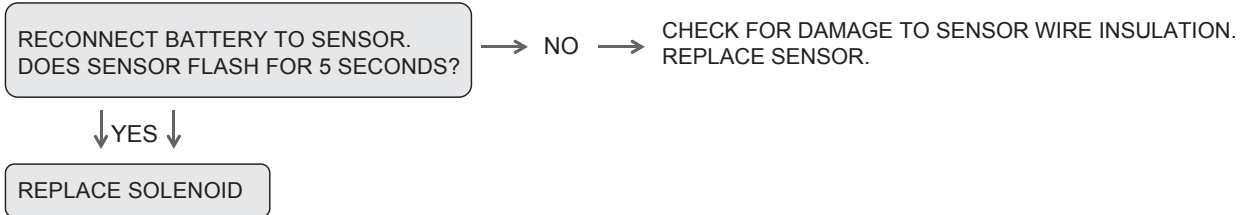
**A:** Faucet will operate with supply pressures ranging from 20-80 psi.

# TROUBLESHOOTING FLOW CHARTS

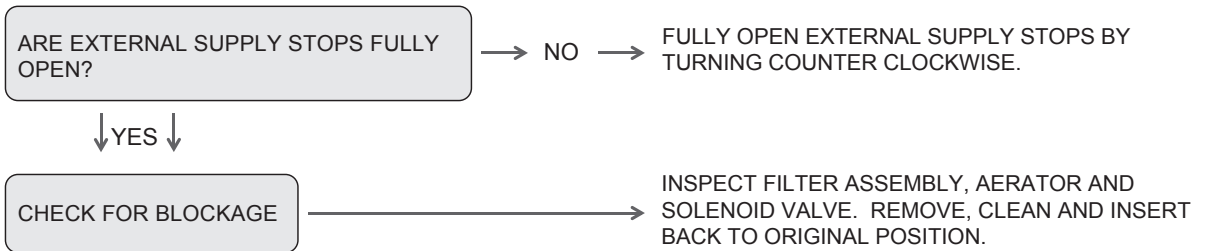
## UNIT DOES NOT FUNCTION



## WATER IS CONTINUOUSLY RUNNING



## LOW FLOW ISSUES



HOT LINE FOR HELP  
 For toll-free information and answers to your questions, call:  
 (844) CRT-TEAM / (844) 278-8326  
 Mon. - Fri. 8:00 a.m. to 8:00 p.m. EST Saturday 10:00 a.m. to 4:00 p.m. EST  
 IN MEXICO 01-800-839-1200  
 IN CANADA 1-800-387-0369 (TORONTO 1-905-306-1093)  
 Weekdays 8:00 a.m. to 7:00 p.m. EST

Product names listed herein are trademarks of AS America, Inc. ©2017

To learn more about American Standard Selectronic® Products visit our website at:  
[www.americanstandard-us.com](http://www.americanstandard-us.com) or e-mail us at: [CRTTEAM@lixilamericas.com](mailto:CRTTEAM@lixilamericas.com)