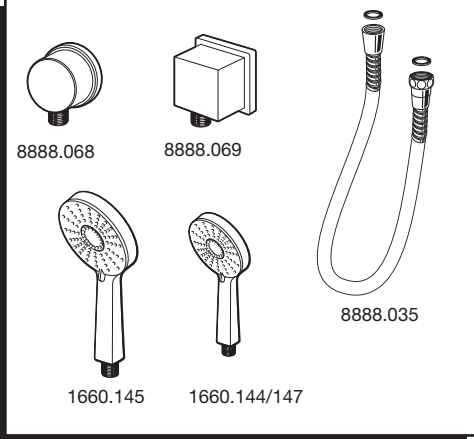


SHOWER SYSTEM ACCESSORIES

8888.068
8888.069
8888.035
1660.147
1660.145
1660.144



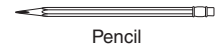
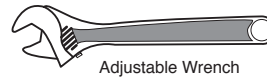
Thank you for selecting American-Standard...the benchmark of fine quality for over 140 years.

To ensure that your installation proceeds smoothly--please read these instructions carefully before you begin.

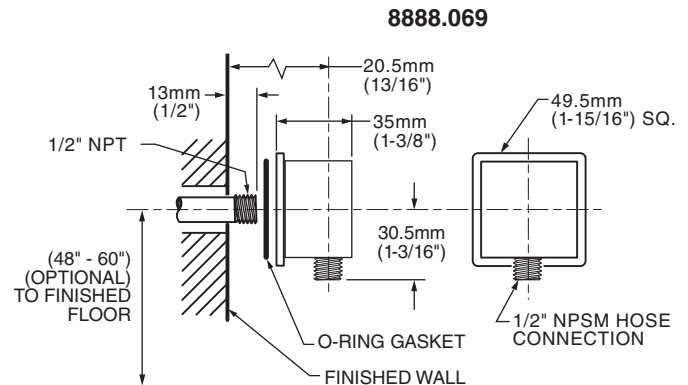
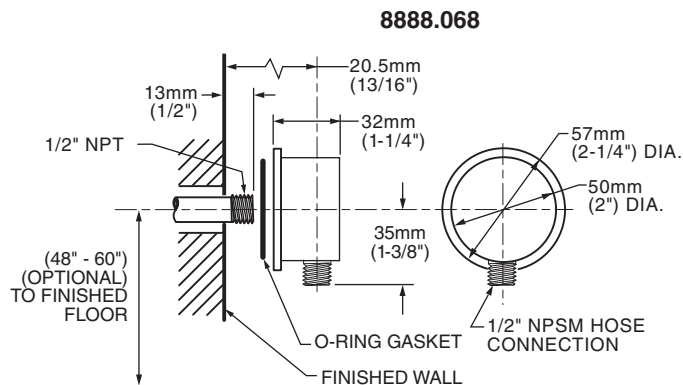
Certified to comply with ANSI A112.18.1

M965269 Rev.1.1 (12/18)

Recommended Tools & Materials



ROUGHING-IN DIMENSIONS

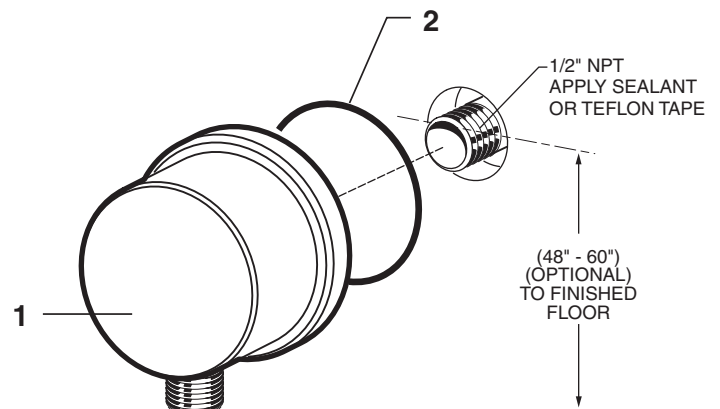
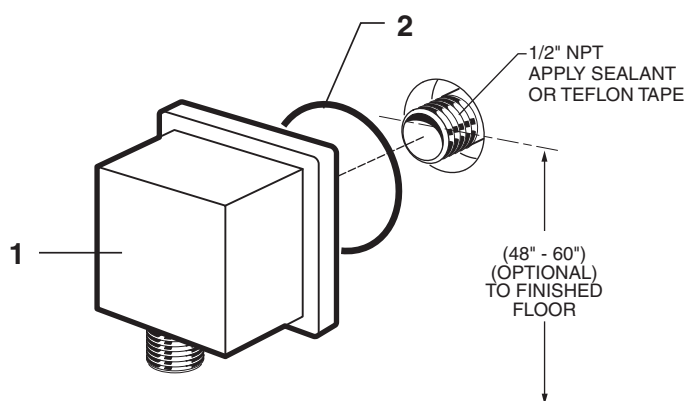


1 INSTALL WALL SUPPLY

CAUTION

Turn off hot and cold water supplies before beginning.

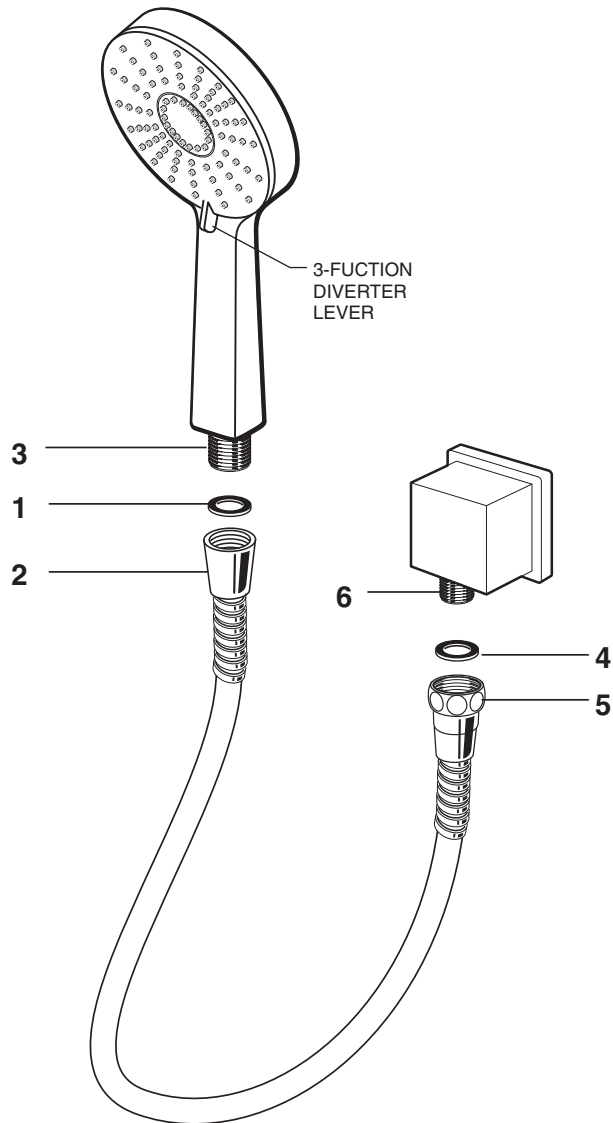
- WALL SUPPLY (1) is 1/2" NPT. See rough-in above for detailed information.
- Install O-RING (2) onto back of WALL SUPPLY (1).
- Apply sealant or teflon tape to threads of 1/2" NPT supply nipple. Tighten ELBOW (1) onto the inlet pipe nipple with a smooth jaw wrench. WALL SUPPLY (1) should be tight against finished wall.



2

INSTALL HOSE AND HAND SHOWER TO WALL SUPPLY (8888.031 & 8888.032)

- Install SEAL (1) into SPRAY HOSE END (2) and connect HAND SHOWER (3) to SPRAY HOSE END (2). Hand tighten.
- Install SEAL (4) into HOSE END (5). Connect HOSE END (5) to WALL SUPPLY (6). Tighten with adjustable wrench. Do not over tighten.
- Turn on water and test HAND SHOWER (3).



3

CARE INSTRUCTIONS:

DO: SIMPLY RINSE THE PRODUCT CLEAN WITH CLEAR WATER. DRY WITH A SOFT COTTON FLANNEL CLOTH.

DO NOT: DO NOT CLEAN THE PRODUCT WITH SOAPS, ACID, POLISH, ABRASIVES, HARSH CLEANERS, OR A CLOTH WITH A COARSE SURFACE.

HOT LINE FOR HELP

For toll-free information and answers to your questions, call:
1 (800) 442-1902
Mon. - Fri. 8:00 a.m. to 8:00 p.m. EST
Saturday 10:00 a.m. to 4:00 p.m. EST
IN CANADA 1-800-387-0369
(TORONTO 1-905-306-1093)
Weekdays 8:00 a.m. to 7:00 p.m. EST
IN MEXICO 01-800-839-1200



Product names listed herein are trademarks of AS America, Inc.
© AS America, Inc. 2018

PART OF **LIXIL**

M965269 Rev.1.1 (12/18)