

Installation Instructions

7186.801
7186.811

FLUENT™ Wide Spread Lavatory Faucet with Speed Connect® Drain

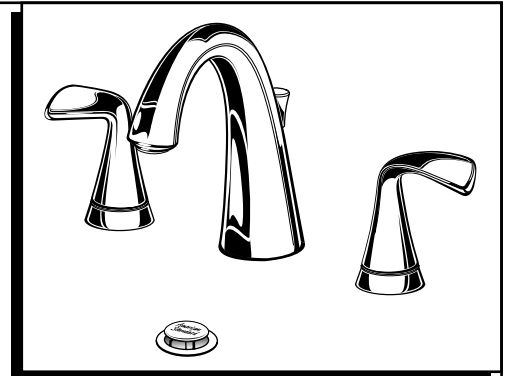
Congratulations on purchasing your American Standard faucet with Speed Connect drain, a feature found only on American Standard faucets.

Speed Connect® Drain*

- Fewer parts, installs in less time
- Never needs adjustment
- Guaranteed to seal properly the first time, every time.

*Your new American Standard faucet is designed to work only with the Speed Connect drain.

To ensure that your installation proceeds smoothly-please read these instructions carefully before you begin.



Certified to comply with ANSI A112.18.1
M965622

Recommended tools



Flat Head Screwdriver



Slip Jaw Pliers



Adjustable Wrench

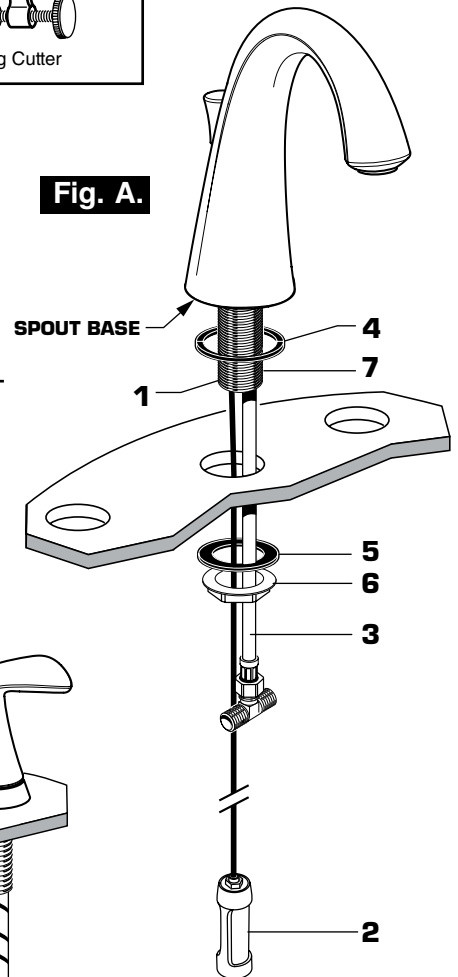


Tubing Cutter

1 INSTALL SPOUT Fig. A.

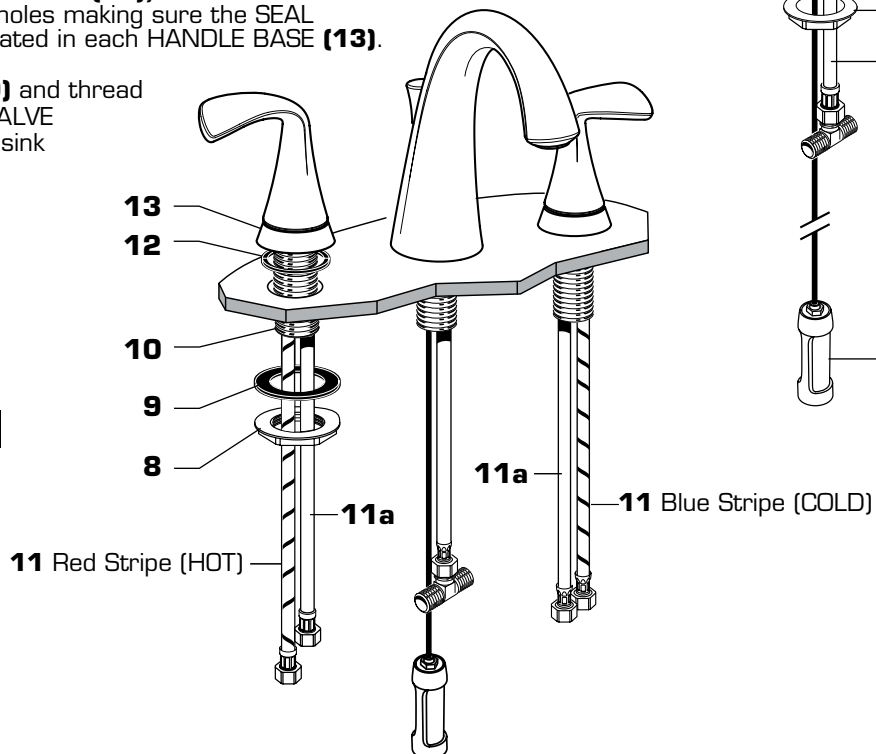
CAUTION Turn off hot and cold water supplies before beginning.

- Insert **(1)** CABLE CONNECTOR **(2)** and HOSE **(3)** through center hole, making sure SEAL WASHER **(4)** is properly seated in spout base.
- Assemble RUBBER WASHER **(5)**, LOCKNUT **(6)** and thread LOCKNUT **(6)** onto SHANK **(7)** from underside of sink or mounting surface.
- Align and center SPOUT **(1)**. Tighten LOCKNUT **(6)**.



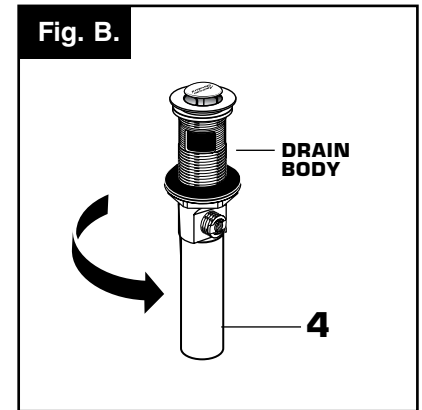
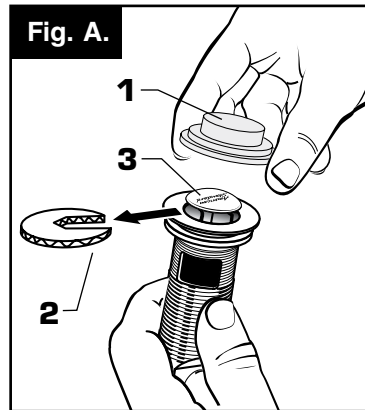
1A INSTALL VALVE BODIES Fig. B.

- Remove LOCKNUT **(8)** and RUBBER WASHER **(9)** from SIDE VALVE SHANKS **(10)**.
- Insert Hot and Cold SIDE VALVE HOSES **(11)**, FLEXIBLE SUPPLIES **(11a)** into mounting holes making sure the SEAL WASHERS **(12)** are properly seated in each HANDLE BASE **(13)**.
- Assemble RUBBER WASHER **(9)** and thread LOCKNUT **(8)** onto each SIDE VALVE SHANK **(10)** from underside of sink or mounting surface.
- Align and center SIDE VALVES. Tighten LOCKNUTS **(8)**.



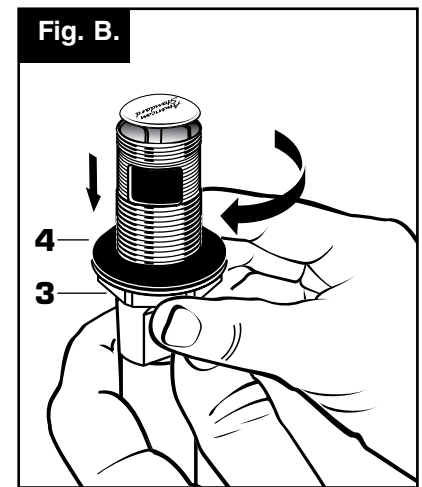
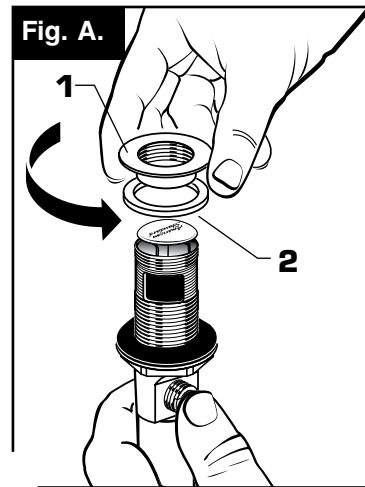
2 POP-UP DRAIN

- Remove CLEAR PLASTIC COVER (1).
- Remove CARDBOARD SPACER (2) from under DRAIN POP-UP (3).
- Tighten TAILPIECE (4) on DRAIN BODY before installing DRAIN BODY. Fig. B.



3 REMOVE FLANGE

- Thread FLANGE (1) counter-clockwise and remove FLANGE (1) and FOAM GASKET (2) from drain body. Fig. A.
- Thread LOCKNUT (3) clock-wise to bottom of drain body. Push GASKET (4) down against LOCKNUT (3). Fig. B.

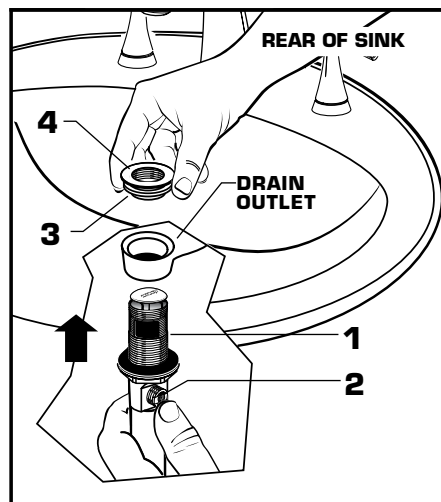


4 INSTALL DRAIN FROM BELOW FIXTURE

- From under side of SINK install DRAIN BODY (1) up through drain outlet.

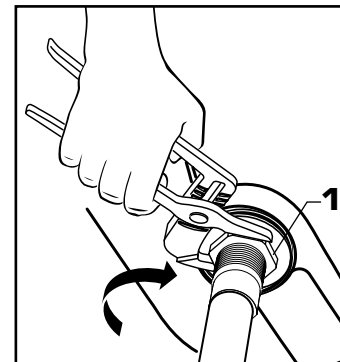
Note: No plumber's putty or caulk is required. The CABLE ATTACHMENT POINT (2) must face towards the rear of the SINK.

- Install FOAM GASKET (3) and FLANGE (4) onto drain body from above SINK and tighten FLANGE (4) firmly.



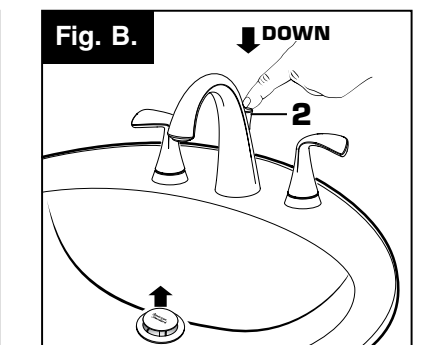
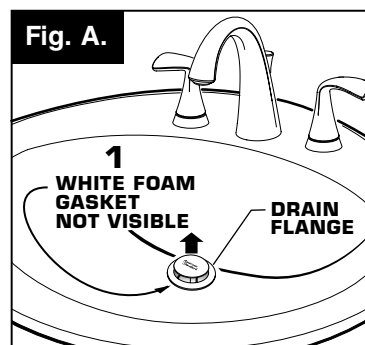
5 TIGHTEN LOCKNUT

- Tighten LOCKNUT (1) firmly with Adjustable Wrench or Slip Jaw Pliers.



6 FLANGE GASKET AND POP-UP KNOB

- Check DRAIN FLANGE in SINK to ensure that WHITE FOAM GASKET (1) is fully compressed and not visible. Fig. A.
- POP-UP KNOB (2) must be fully down. Fig. B.

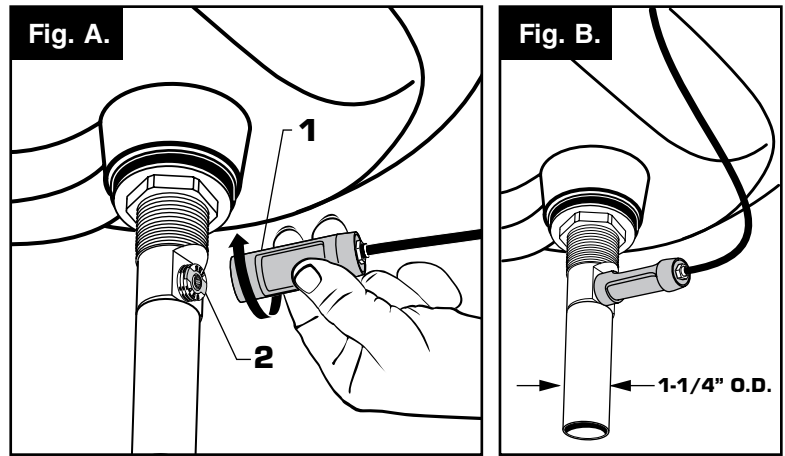


7 ATTACH CABLE CONNECTOR

- Thread CABLE CONNECTOR (1) clockwise onto CABLE ATTACHMENT POINT (2) and hand tighten. Fig. A.

Your new POP-UP DRAIN installation is now complete. Fig. B.

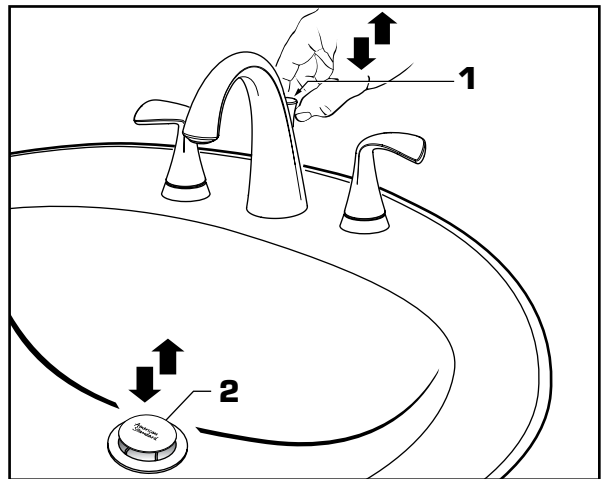
Note: Tailpiece on pop-up drain is 1-1/4" O.D. Fig. B.



8 CHECK OPERATION OF POP-UP

- Operate LIFT KNOB (1) to verify that STOPPER (2) opens and closes.

Note: If STOPPER (2) does not open and close properly, refer to the "troubleshooting section" of these instructions.



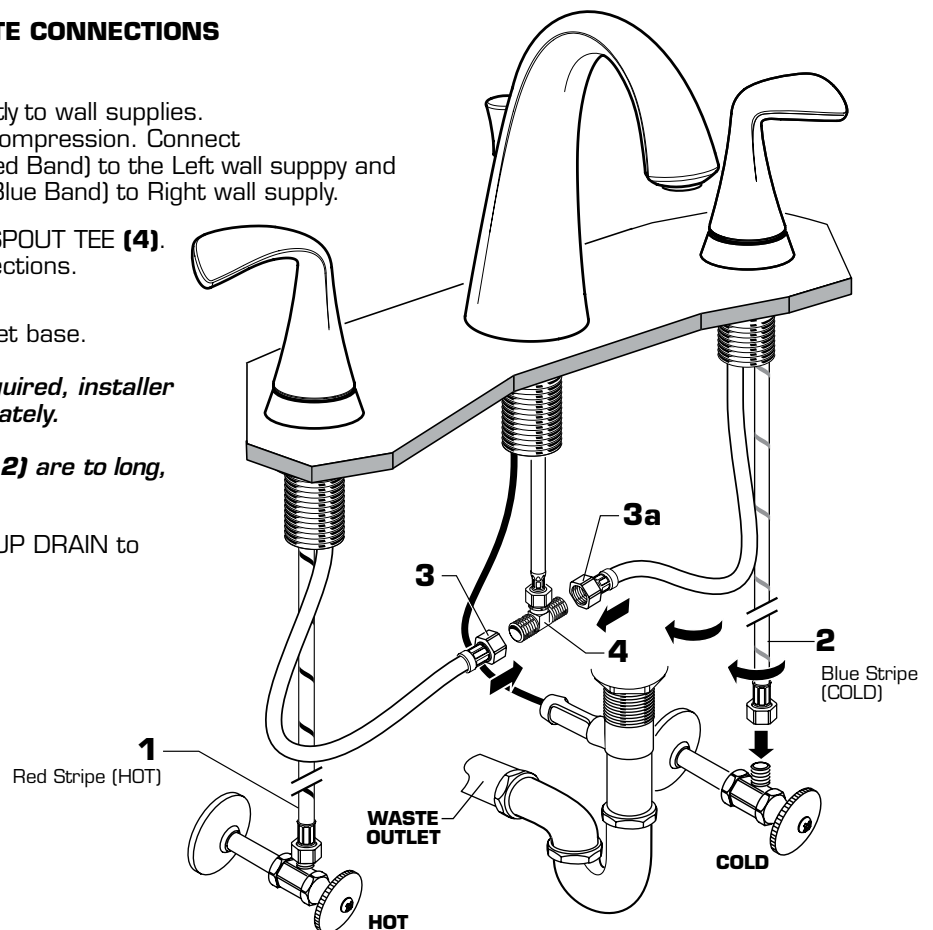
9 MAKE WATER SUPPLY AND WASTE CONNECTIONS

- Connect FLEXIBLE SUPPLIES (1, 2) directly to wall supplies. Connection on fitting supplies is 3/8" compression. Connect FLEXIBLE SUPPLY (1) (Marked with a Red Band) to the Left wall supply and FLEXIBLE SUPPLY (2) (Marked with a Blue Band) to Right wall supply.
- Connect the VALVE HOSES (3, 3a) to SPOUT TEE (4). Use adjustable wrench to tighten connections. Do not over tighten.
- Faucet supplies are 20" long from faucet base.

Note: If additional supply length is required, installer must purchase additional parts separately.

Important: If FLEXIBLE SUPPLIES (1, 2) are too long, loop to avoid kinking.

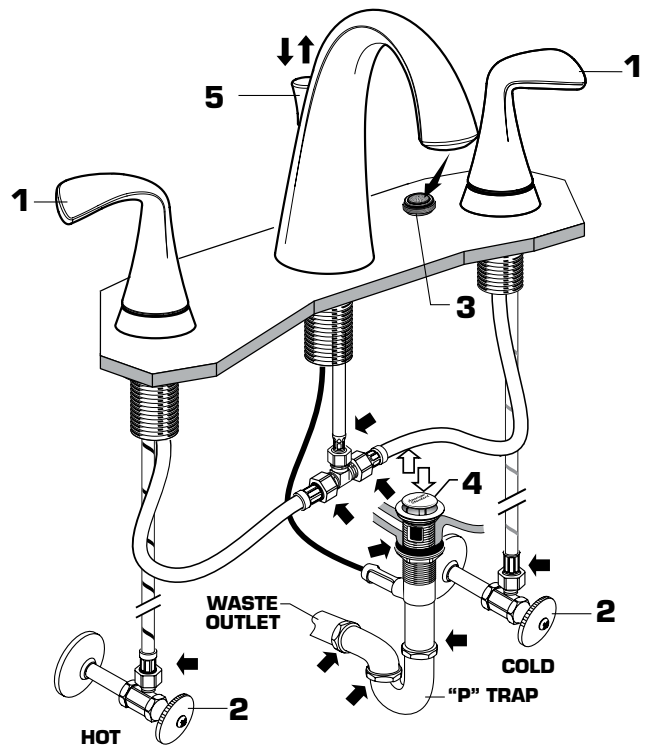
- Connect 1-1/4" O.D. tailpiece on POP-UP DRAIN to waste outlet.



M965622

10 TEST INSTALLED FITTING

- With HANDLES (1) in OFF position, turn on WATER SUPPLIES (2) and check all connections for leaks. ➡
- Remove AERATOR (3).
- Operate both HANDLES (1) to flush water lines thoroughly.
- Replace AERATOR (3).



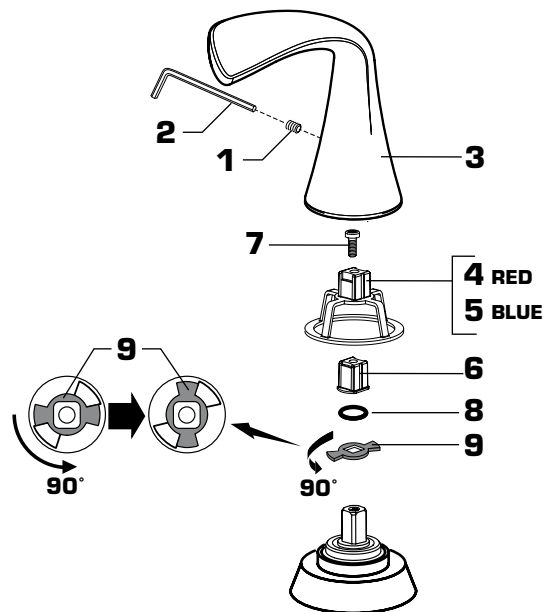
11 CHECK DRAIN CONNECTIONS

- Operate POP-UP KNOB (5) and fill Sink with water. Check that DRAIN STOPPER (4) makes a good seal and retains water in Sink. If STOPPER (4) does not seal properly, please refer to "Troubleshooting Guide" in these instructions.
- Release POP-UP KNOB (5) down and check all drain connections and "P" trap for leaks. ➡ Tighten if necessary.

12 SERVICE

To change direction of handle:

- Turn valves to OFF position.
- Turn off water supplies.
- Loosen SET SCREW (1) with 5/64" HEX WRENCH (2).
- Pull HANDLE (3) "UP" firmly to release from PLASTIC INSERT (4, 5 or 6).
- Remove SCREW (7) and pull off PLASTIC INSERT (4, 5 or 6).
- Remove RETAINING O-RING (8).
- Lift and turn STOP WASHER (9) 90°.
Replace RETAINING O-RING (8).
- Re-install HANDLE ASSEMBLY.
- AERATOR may accumulate dirt causing distorted and reduced water flow. Remove AERATOR and rinse to clear any debris.
- If spout drips, operate handles several times from OFF to ON position. Do not force - handles turn only 90°.



13 CARE INSTRUCTIONS:

DO: CLEAN WITH CLEAR WATER. DRY WITH A SOFT COTTON FLANNEL CLOTH.

DO NOT: DO NOT CLEAN THE PRODUCT WITH SOAPS, ACID, POLISH, ABRASIVES, HARSH CLEANERS, OR A CLOTH WITH A COARSE SURFACE.

Speed Connect® Drain Troubleshooting Guide

If sink does not hold water even though Stopper is in the “down” position:

- Follow CABLE ADJUSTMENT PROCEDURE.

If Stopper does not raise up fully or sink drains too slowly:

- Follow CABLE ADJUSTMENT PROCEDURE.

If you need to remove the Stopper:

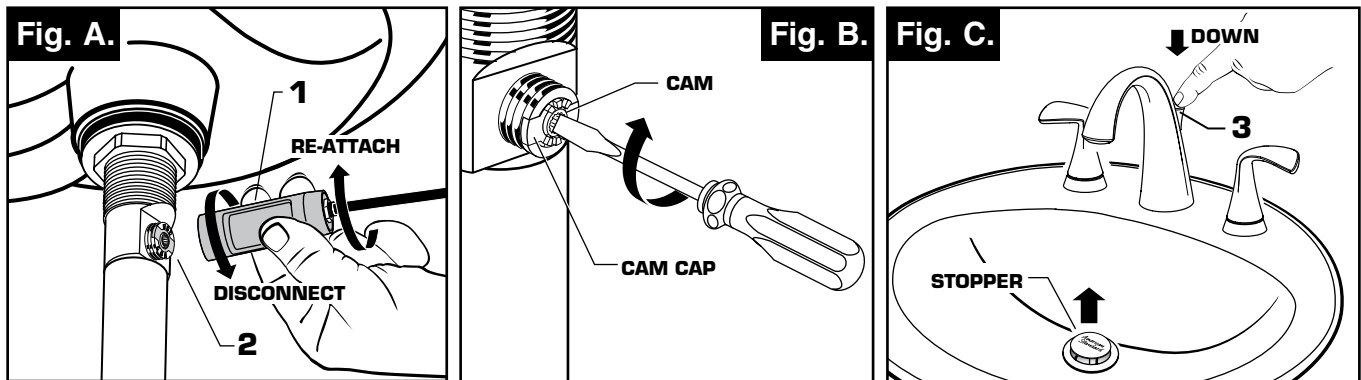
- Follow STOPPER REMOVAL PROCEDURE.

If you would like the ability to remove your Stopper simply by lifting it out of the drain:

- Follow STOPPER INSTALLATION PROCEDURE for “Unlocked” mode.

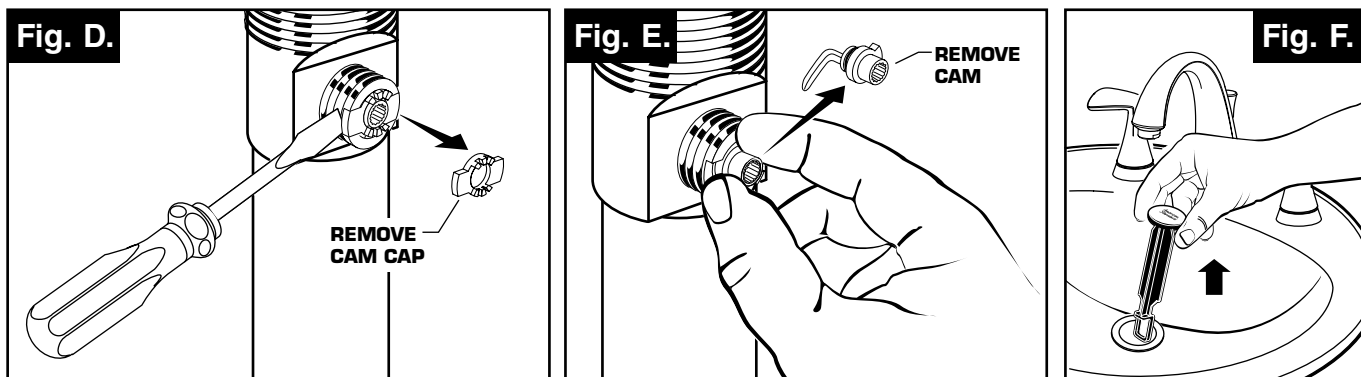
CABLE ADJUSTMENT PROCEDURE

- Disconnect the Cable from the Drain by threading the CABLE CONNECTOR **(1)** counter-clockwise. **Fig. A.**
- Look at the area on the Drain Body where the Cable was attached and locate the component labeled as “Cam” in the illustration. **Fig. B.**
- Use a small flat head screwdriver to fully rotate the Cam in the clockwise direction. At this point the Stopper should be in the UP position. **Fig. B, C.**
- Make sure the LIFT KNOB **(3)** it is fully down. **Fig. C.**
- Re-attach the CABLE CONNECTOR **(1)** to the CABLE ATTACHMENT POINT **(2)** by threading the CABLE CONNECTOR **(1)** clockwise onto the CABLE ATTACHMENT POINT **(2)** and hand-tighten. **Fig. A.**



STOPPER REMOVAL PROCEDURE

- Disconnect the Cable from the Drain by threading the Cable Connector **(1)** counter-clockwise. **Fig. A.**
- Look at the area on the Drain Body where the Cable was attached and locate the component labeled as “Cam” and “Cam Cap” in the illustration. **Fig. B.**
- Use fingers or small screwdriver under either side of the Cam Cap to pry it out from the Drain. **Fig. D.**
- Remove the Cam by pulling it straight out while wiggling gently to loosen the Rubber Seal. **Fig. E.**
- The Stopper can now be removed by lifting it out of the Drain. **Fig. F.**



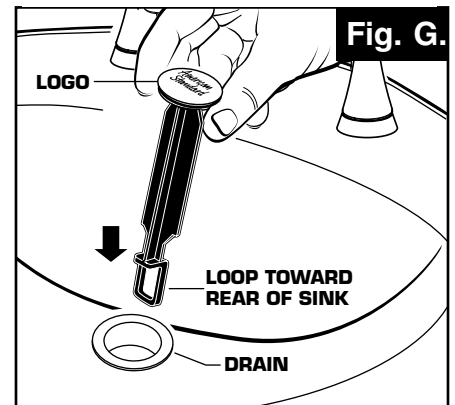
M965622

STOPPER INSTALLATION PROCEDURE

The Stopper can be installed two ways, “Locked” Mode (Stopper cannot be removed) or “Unlock” Mode (Stopper is removable).

Locked Mode:

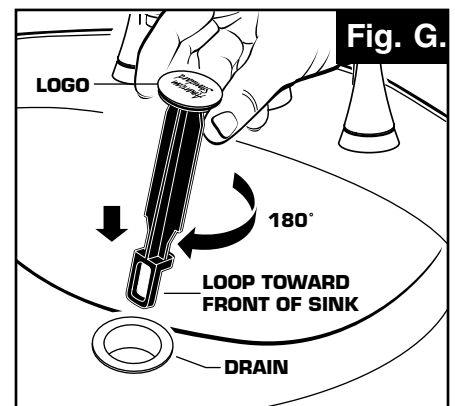
- Look at the Plastic Loop at the bottom of the Stopper and notice that the Loop is on one side of the Stopper. **Fig. G.**
- To install the stopper in “Locked” mode, insert the Stopper into the Drain so that the Plastic Loop is facing toward the **rear** of the Sink and the American Standard logo is facing **front**. Rotate Stopper slightly if necessary so that the Stopper slides all the way down. **Fig. G.**
- Re-install the Cam into the Drain, rotating the Cam if necessary to make sure it is fully inserted. **Fig. J.**
- Re-install the Cam Cap, making sure the guide teeth are facing outward. If the Cam Cap does not “snap” into place, then rotate the Cam to make sure it is fully inserted. **Fig. K.**
- Re-attach Cable. See “CABLE ADJUSTMENT PROCEDURE” in Troubleshooting Guide to complete installation. Stopper will be in “Locked” mode and not be removable.



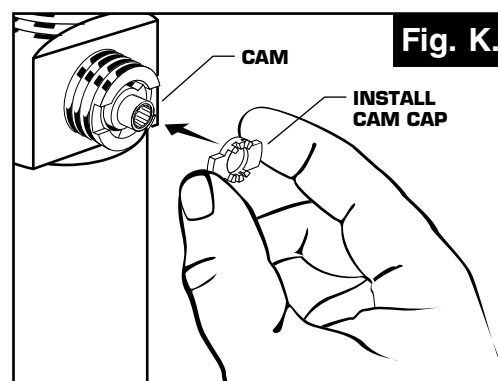
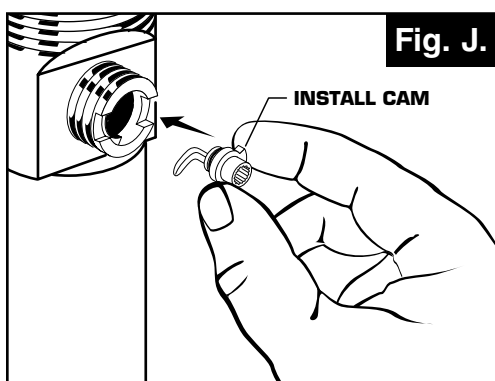
**Locked Mode
(Vandal Proof)**

Unlocked Mode:

- Look at the Plastic Loop at the bottom of the Stopper and notice that the Loop is on one side of the Stopper. **Fig. H.**
- To install the stopper in “Unlocked” mode, insert the Stopper into the Drain so that the Plastic Loop is facing toward the **front** of the Sink and the American Standard logo is facing **rear**. Rotate Stopper slightly if necessary so that the Stopper slides all the way down. **Fig. H.**
- Re-install the Cam into the Drain, rotating the Cam if necessary to make sure it is fully inserted. **Fig. J.**
- Re-install the Cam Cap, making sure the guide teeth are facing outward. If the Cam Cap does not “snap” into place, then rotate the Cam to make sure it is fully inserted. **Fig. K.**
- Re-attach Cable. See “CABLE ADJUSTMENT PROCEDURE” in Troubleshooting Guide to complete installation. Stopper will be in “Unlocked” mode and removable.



Unlocked Mode

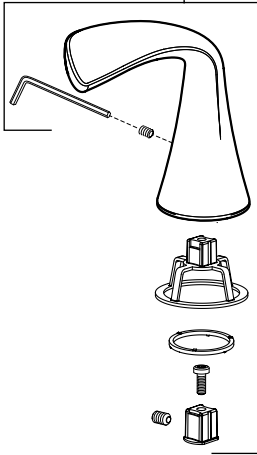


FLUENT™ Wide Spread Lavatory Faucet with Speed Connect® Drain

MODEL NUMBER

7186.801
7186.811

M964919-YYY0A
LEVER HANDLE (LEFT)
M964920-YYY0A
LEVER HANDLE (RIGHT)

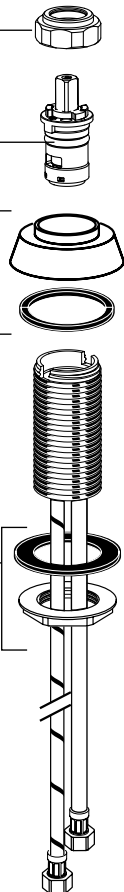


M904924-0070A
CARTRIDGE NUT

M964005-0070A
CARTRIDGE

M964922-YYY0A
HANDLE BASE

M961634-0070A
VALVE
MOUNTING KIT



M964923-YYY0A
LIFT ROD AND KNOB

M922909-0070A
AERATOR

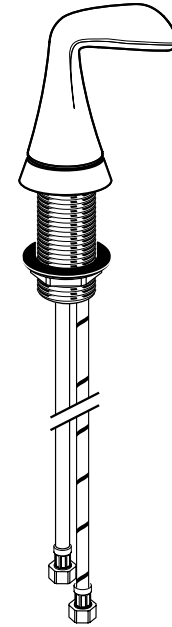
A911757-0070A
SEAL

M904521-0070A
T-CONNECTOR

M952425-YYY0A
DRAIN ASSEMBLY

Replace the "YYY" with
appropriate finish code

CHROME	002
SATIN NICKEL	295
OIL RUBBED BRONZE	224



M962544-YYY0A
STOPPER
ASSEMBLY

M952430-0070A
CABLE ASSEMBLY

M962457-YYY0A
FLANGE
ASSEMBLY

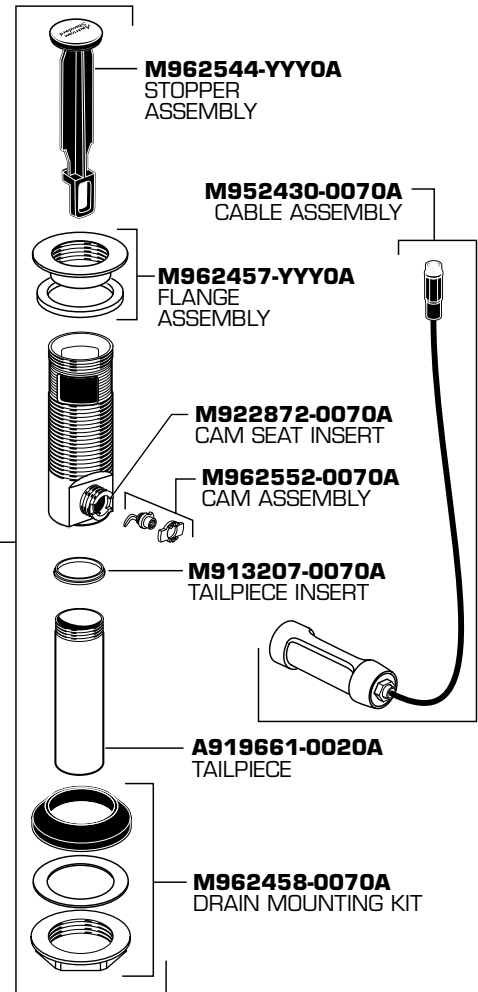
M922872-0070A
CAM SEAT INSERT

M962552-0070A
CAM ASSEMBLY

M913207-0070A
TAILPIECE INSERT

A919661-0020A
TAILPIECE

M962458-0070A
DRAIN MOUNTING KIT



HOT LINE FOR HELP
For toll-free information and answers to your questions, call:
1 (800) 442-1902
Weekdays 8:00 a.m. to 6:00 p.m. EST
IN CANADA 1-800-387-0369 (TORONTO 1-905-306-1093)
Weekdays 8:00 a.m. to 7:00 p.m. EST
IN MEXICO 01-800-83912-00

Product names listed herein are trademarks of American Standard Inc.
© American Standard Inc. 2014

M965622