

American Standard

# Installation Instructions

## PORTSMOUTH™ HIGH ARC SINGLE CONTROL KITCHEN FAUCET WITH SPRAY

4285.051  
4285.051F15



Certified to comply with ANSI A112.18.1M  
M965473 Rev. 1.2

Thank you for selecting American-Standard...  
the benchmark of fine quality for over 100 years.

To ensure that your installation proceeds smoothly—  
please read these instructions carefully before you begin.

### RECOMMENDED TOOLS



Regular Screwdriver



Phillips Screwdriver



Adjustable Wrench



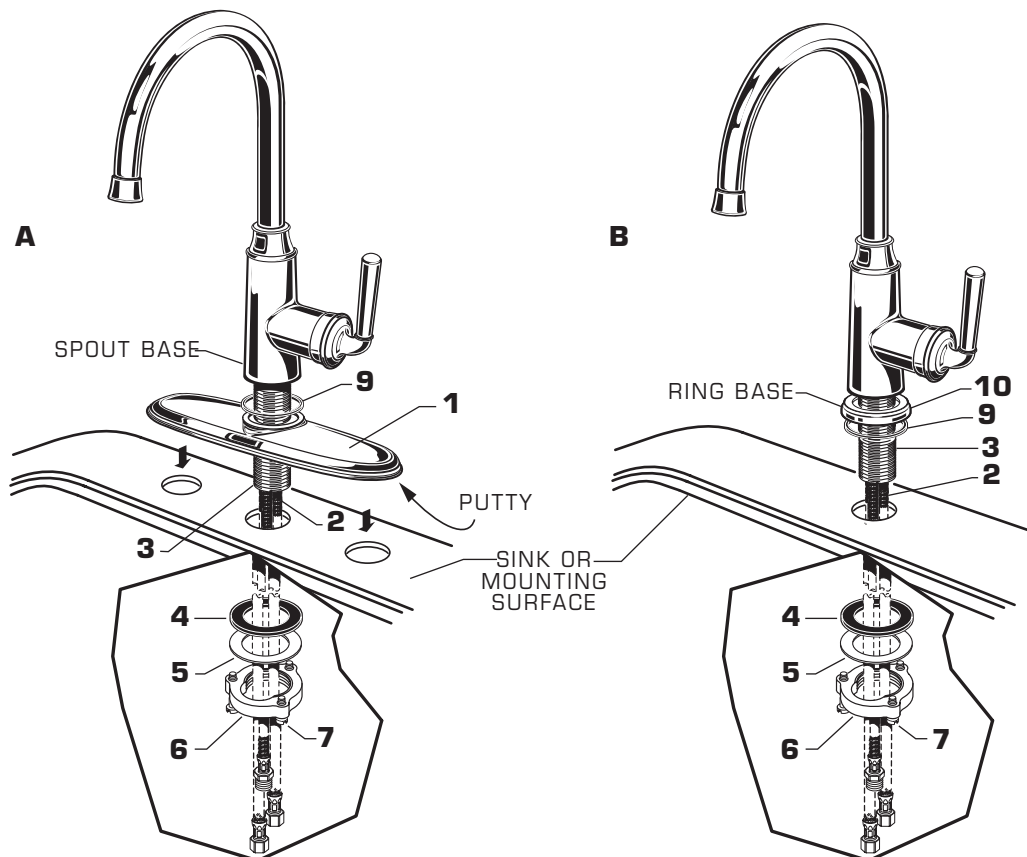
Plumbers' Putty or Caulking

## 1 INSTALL FAUCET WITH OR WITHOUT DECK ESCUTCHEON

**CAUTION**

Turn off water at  
main supply.

- Make certain the SEAL (9) is properly seated in recess of spout base.
- **(A) Installation with ESCUTCHEON (1).** Apply a bead of putty to bottom edge of ESCUTCHEON with PUTTY PLATE (1). Insert all HOSES (2) and SHANK (3) through hole of ESCUTCHEON with PUTTY PLATE (1) and mounting surface. Follow mounting instructions below to secure faucet to mounting surface.
- **(B) Installation less ESCUTCHEON (1).** Insert all HOSES (2) and SHANK (3) through MOUNTING RING (10) and mounting surface. Do not use putty.
- Assemble RUBBER WASHER (4), BRASS WASHER (5), and threaded LOCKNUT (6) onto SHANK (3) from underside of sink or mounting surface. Hand tighten LOCKNUT (6).
- Use a screwdriver to tighten SCREWS (7) on LOCKNUT (6). Work your way around LOCKNUT (6), tightening the screws slightly each time until all are snug to ensure even pressure.

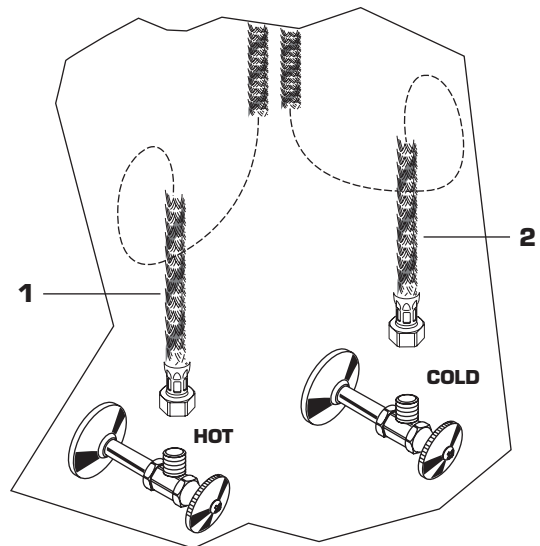


## 2 MAKE WATER SUPPLY CONNECTIONS

- Turn off hot and cold water supplies before beginning.
- Connect FLEXIBLE SUPPLIES (1, 2) directly to wall supplies. Connection on fitting supplies are 3/8" compression. Connect left supply to Hot (**Marked with a Red Line**) and right supply to Cold wall supply. Use adjustable wrench to tighten connections. Do not over tighten.
- Faucet supplies are 21" long from faucet base.

**Note:** If additional supply length is required, installer must purchase additional parts separately.

**Important:** If SUPPLY HOSES (1, 2) are too long, loop as illustrated to avoid kinking.

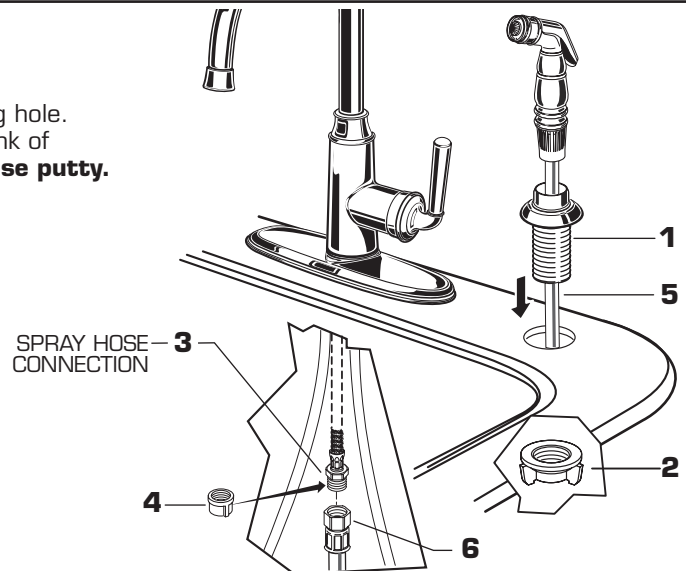


## 3 INSTALL SPRAY HOLDER

- Place the SPRAY HOLDER (1) into the appropriate mounting hole. Assemble the SPRAY HOLDER WING NUT (2) onto the shank of SPRAY HOLDER (1) from below and hand tighten. **Do not use putty.**
- For installation less spray, cap off SPRAY HOSE CONNECTION (3) with PIPE CAP (4).

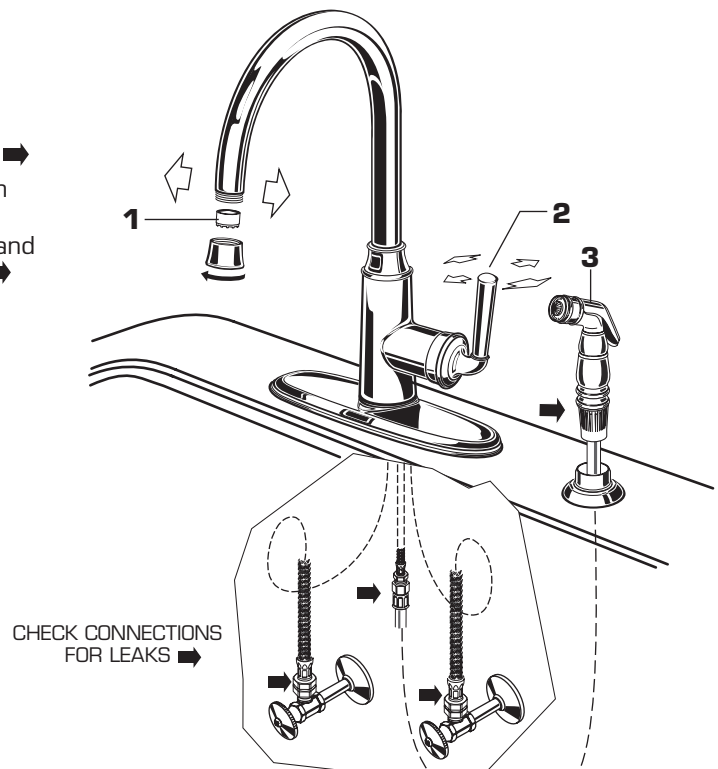
### CONNECT HOSE SPRAY

- Feed SPRAY HOSE (5) through SPRAY HOLDER (1) and attach COUPLING NUT (6) of HOSE (5) to SPRAY HOSE CONNECTION (3) on valve body. Tighten COUPLING NUT (6) firmly.



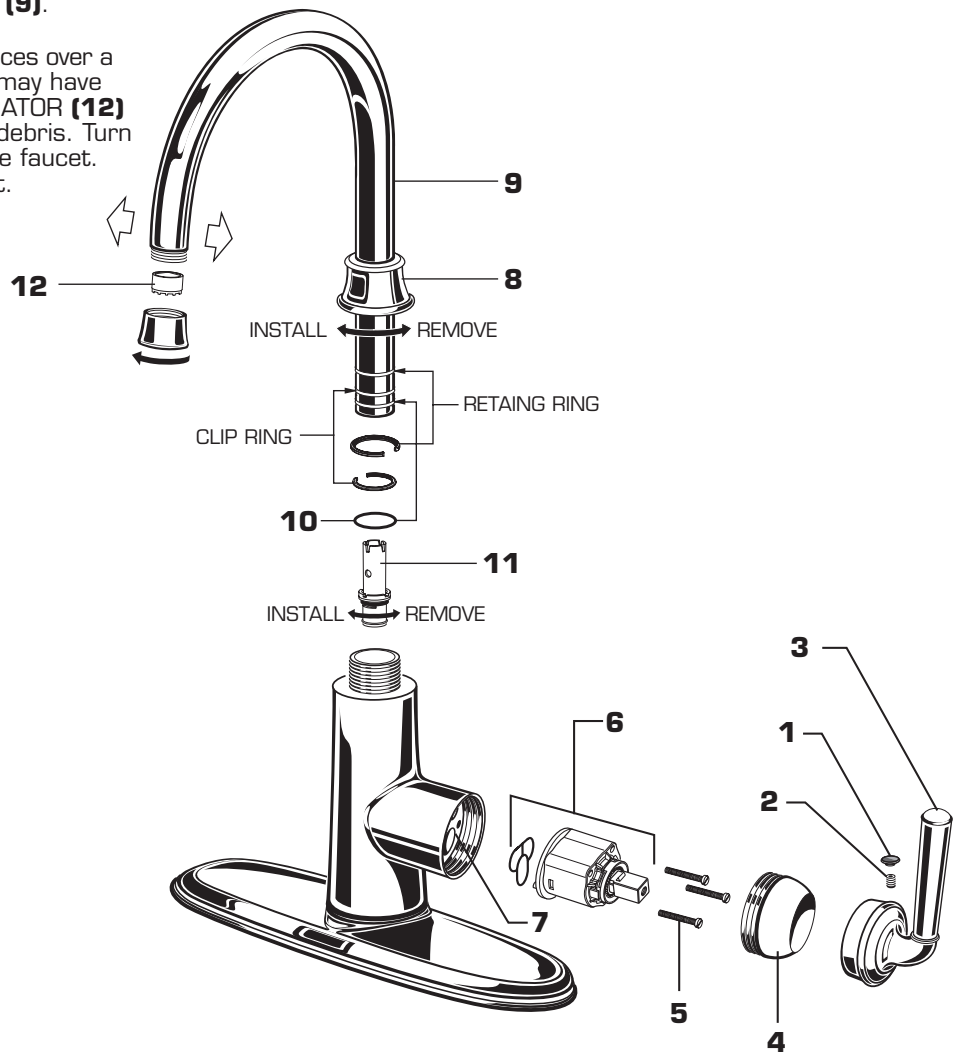
## 4 TEST INSTALLED FAUCET

- Move HANDLE into "off" position and remove AERATOR (1).
- Turn on water supplies and check connections for leaks. ➡
- Operate HANDLE (2) up and down, left and right to flush water lines thoroughly.
- For faucet with spray, direct SPRAY HEAD (3) into sink and activate SPRAY (3). Check hose connections for leaks. ➡
- Move HANDLE (2) to "off" position and replace AERATOR (1).



## 5 SERVICE

- If faucet drips, operate HANDLE several times from "off" to "on." Do not apply excessive force.
- **Clogged CARTRIDGE outlets or inlets may cause reduced flow.**  
To clean, first turn off water supply then:
  - Remove INDEX BUTTON (1), loosen HANDLE SCREW (2) and remove HANDLE (3).
  - Unthread the ESCUTCHEON CAP (4). Unthread three MOUNTING SCREWS (5).
  - Lift CARTRIDGE (6) off MANIFOLD (7).
  - Clean MANIFOLD (7) and CARTRIDGE (6) ports.
  - Place CARTRIDGE (6) onto MANIFOLD (7) and tighten MOUNTING SCREWS (5) alternately.
  - Replace ESCUTCHEON CAP (4), HANDLE (3), tighten HANDLE SCREW (2) and install INDEX BUTTON (1).
- **Spout leakage.** If fitting leaks above or below spout RETAINING COVER (8) remove SPOUT (9) as follows and check SPOUT O-RING. First turn off water supply.
  - Unthread spout RETAINING COVER (8).
  - Remove SPOUT (9) by pulling up gently while moving SPOUT (9) side to side.
  - Check SPOUT O-RING (10) for damage. Replace if necessary.
  - The DIVERTER (11) can be cleaned by unthreading from faucet body. Rinse the DIVERTER (9) clean and thread DIVERTER (11) back into faucet body.
- Reverse procedure to reinstall SPOUT (9).
- **Reduced flow.** If the flow gradually reduces over a number of months, the AERATOR (12) may have collected debris. To clean, remove AERATOR (12) and rinse with water and remove any debris. Turn on faucet to wash any debris out of the faucet. Thread AERATOR (12) back into spout. Operate faucet.



## 6 CARE:

**DO: SIMPLY RINSE THE PRODUCT CLEAN WITH CLEAR WATER. DRY WITH A SOFT COTTON FLANNEL CLOTH.**  
**DO NOT: DO NOT CLEAN THE PRODUCT WITH SOAPS, ACID, POLISH, ABRASIVES, HARSH CLEANERS, OR A CLOTH WITH A COARSE SURFACE.**

*American Standard*

**PORTSMOUTH™**  
**HIGH ARC SINGLE CONTROL**  
**KITCHEN FAUCET WITH SPRAY**

MODEL NUMBER

**4285.051**  
**4285.051F15**

**M910288-0070A (2.2 GPM)**  
**M910286-0070A (1.5 GPM)**  
 AERATOR

**M911231-YYY0A**  
 AERATOR RING

**M907986-YYY0A**  
 RETAINING COVER

**M964509-0070A**  
 RETAINER & SEAL KIT

**M953056-0070A**  
 DIVERTER

**M951483-0070A**  
 CARTRIDGE

**M907315-YYY0A**  
 ESCUTCHEON CAP

**M964397-0070A**  
 BUTTON AND  
 SCREW KIT

**M964396-YYY0A**  
 HANDLE KIT

**M918511-0070A**  
 CARTRIDGE SCREWS

**M907989-YYY0A**  
 MOUNTING RING KIT

**A911836-0070A**  
 SEAL

**M964065-YYY0A**  
 ESCUTCHEON AND  
 PUTTY PLATE

**M953668-YYY0A**  
 HANDSPRAY & HOSE

**M962146-0070A**  
 MOUNTING KIT

**M953040 -YYY0A**  
 SPRAY HOLDER

Replace the YYY with  
 Appropriate finish code

CHROME	002
STAINLESS STEEL	075
OIL RUBBED BRONZE	224



**HOT LINE FOR HELP**

For toll-free information and answers to your questions, call:  
 1-800-442-1902  
 Weekdays 8:00 a.m. to 6:00 p.m. EST  
 IN CANADA 1-800-387-0369 (TORONTO 1-905-306-1093)  
 Weekdays 8:00 a.m. to 7:00 p.m. EST  
 IN MEXICO 01-800-839-1200

Product names listed herein are trademarks of American Standard Inc.  
 © AS America, Inc. 2013