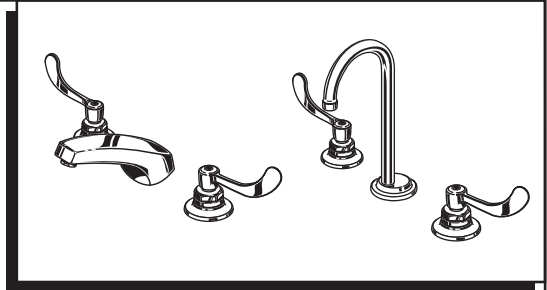


MONTERREY™

SPREAD LAVATORY FAUCETS

Thank you for selecting American-Standard...  
the benchmark of fine quality for over 100 years.

To ensure that your installation proceeds smoothly—  
please read these instructions carefully before you begin.



Certified to comply with ANSI A112.18.1

60186 REV.1.8 (3/16)

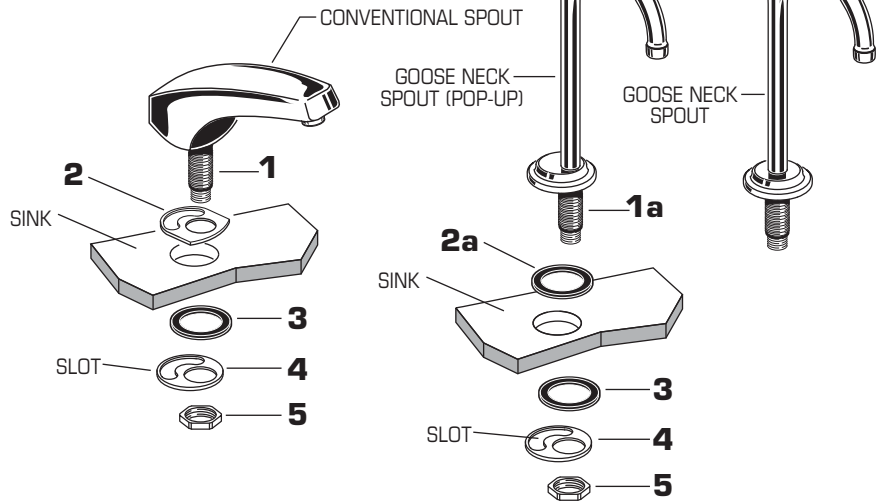
1

CAUTION

Turn off water at main supply.

CONVENTIONAL OR GN SPOUT ASSEMBLY

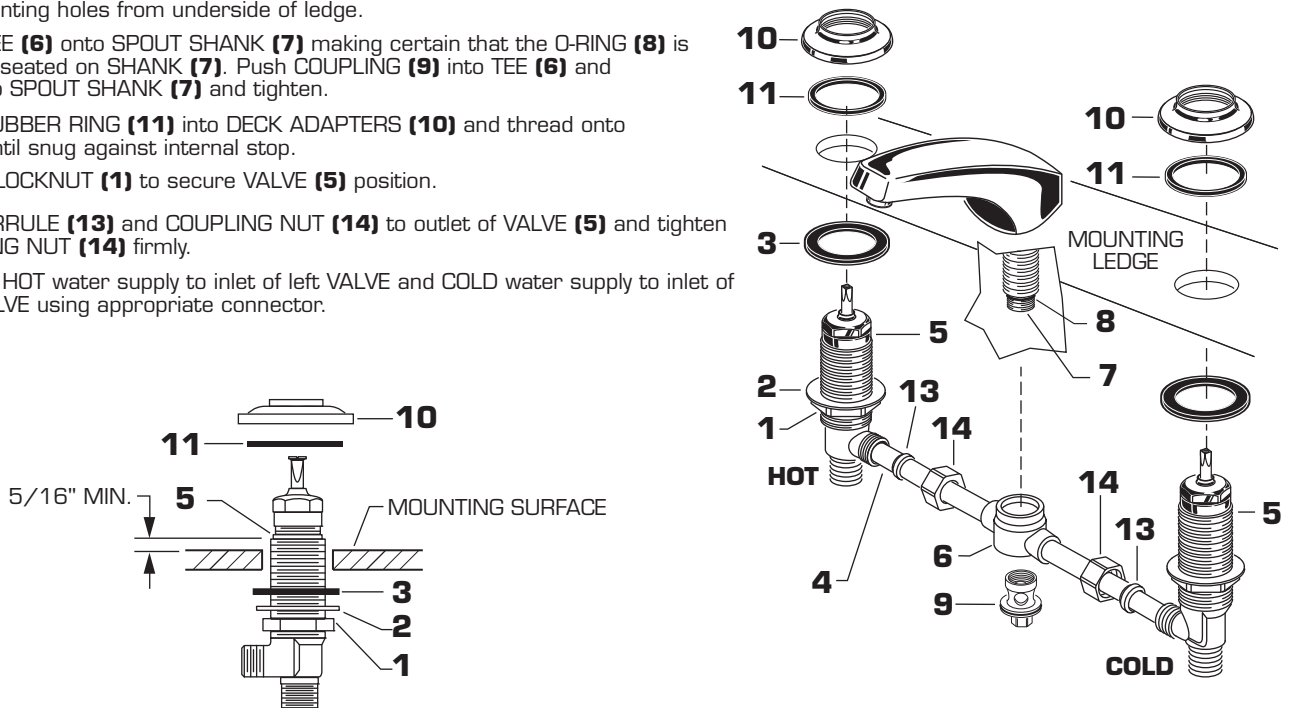
- Insert SPOUT SHANK (1, 1a) through center hole of SINK, making sure RUBBER GASKET (2, 2a) is properly positioned.
- Assemble RUBBER WASHER (3), RETAINER (4) and LOCKNUT (5) onto threads of SPOUT SHANK (1, 1a) from underside of SINK.
- Align SPOUT and tighten LOCKNUT (5). Be sure slot in BRASS WASHER (4) is positioned to the rear as shown.



2

VALVE ASSEMBLY WITH RIGID VALVE CONNECTIONS

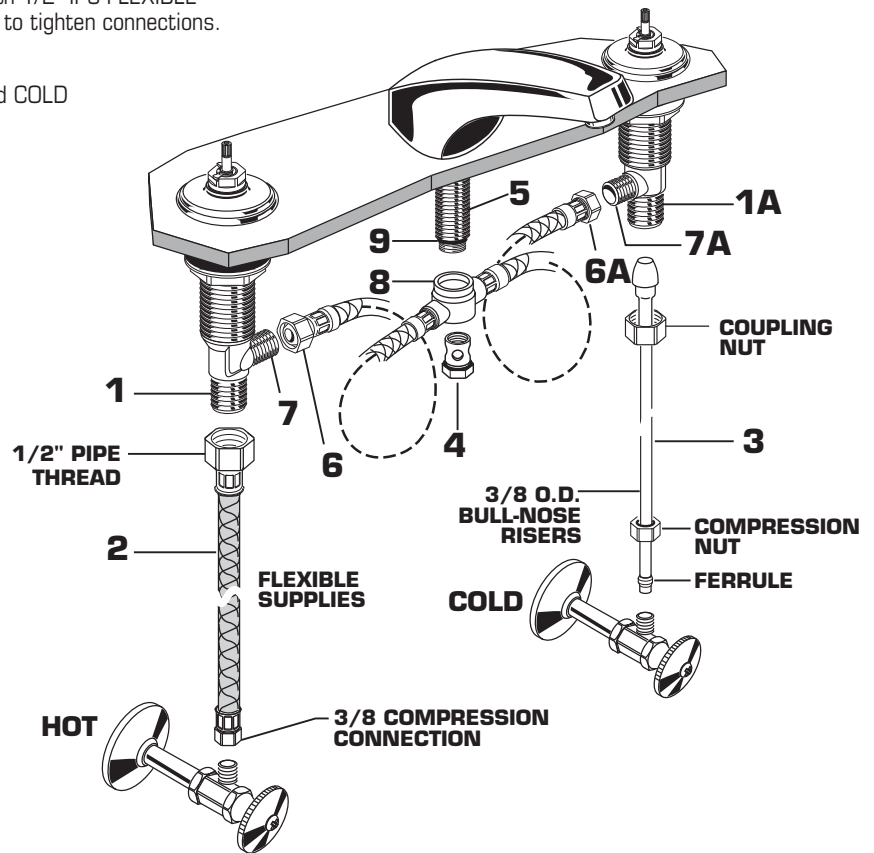
- Install LOCKNUTS (1), BRASS WASHERS (2) and RUBBER WASHERS (3) onto valve shanks.
- Push TUBING (4) ends into VALVE (5) side outlets. Insert VALVES (5) into mounting holes from underside of ledge.
- Press TEE (6) onto SPOUT SHANK (7) making certain that the O-RING (8) is properly seated on SHANK (7). Push COUPLING (9) into TEE (6) and attach to SPOUT SHANK (7) and tighten.
- Place RUBBER RING (11) into DECK ADAPTERS (10) and thread onto valves until snug against internal stop.
- Tighten LOCKNUT (1) to secure VALVE (5) position.
- Slide FERRULE (13) and COUPLING NUT (14) to outlet of VALVE (5) and tighten COUPLING NUT (14) firmly.
- Connect HOT water supply to inlet of left VALVE and COLD water supply to inlet of right VALVE using appropriate connector.



## 2a

### VALVE ASSEMBLY WITH FLEXIBLE HOSE VALVE CONNECTIONS

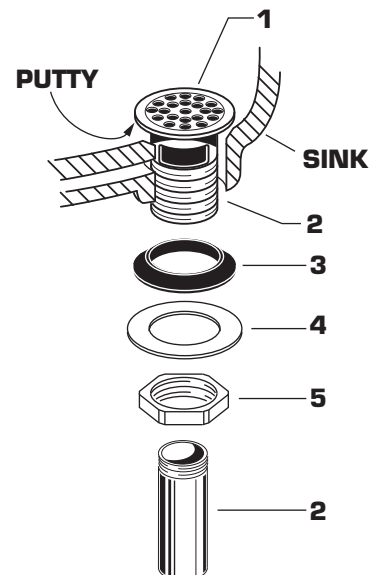
- Press TEE (8) onto SPOUT SHANK (5) making certain that the O-RING (9) is properly seated on SPOUT SHANK (5). Push COUPLING (4) into TEE (8) and attach to SPOUT SHANK (5) and tighten.
- Thread HOSE CONNECTOR (6, 6A) to VALVE CONNECTIONS (7, 7A).
- Connect water supply to VALVE BODIES (1, 1A) with 1/2" IPS FLEXIBLE SUPPLIES (2) (not included. Use adjustable wrench to tighten connections. Do not over tighten.
- Connect HOT water supply to inlet of left SHANK and COLD water supply to right SHANK.



## 3

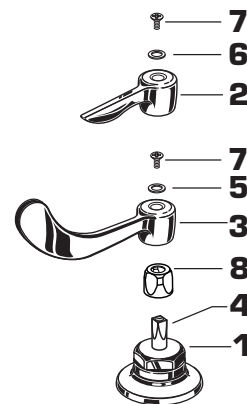
### DRAIN ASSEMBLY (6542.140/.170)

- Apply a bead of PUTTY around underside of DRAIN FLANGE (1) flange. Insert DRAIN PLUG (2) into SINK drain hole.
- Hold DRAIN PLUG (2) to prevent turning and assemble GASKET (3), WASHER (4), and LOCKNUT (5) from underneath sink.
- Apply sealant to threaded end of TAILPIECE and thread into lower end of DRAIN PLUG. Connect other end to trap.



## 4 INSTALL HANDLES

- Turn VALVES (1) to off position.
- Insert ADAPTOR (8) with larger diameter over the VALVE STEM (4).
- Align LEVER (2) or WRIST BLADE HANDLE (3) and install onto VALVE STEM (4).
- Insert BLUE INDEX (5) into cold valve (right side) and red INDEX (6) into hot valve (left side).
- Insert HANDLE SCREW (7) into HANDLES and tighten with screwdriver.



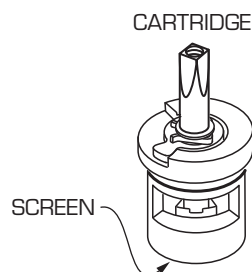
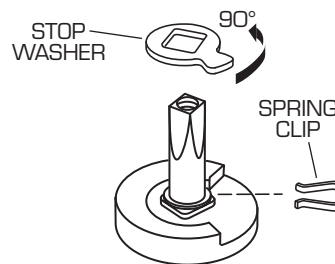
## 5 TEST INSTALLED FAUCET

- Remove AERATOR.
- With handle in OFF position, turn on water supplies and check all connections for leaks.
- Operate both handles to flush water lines thoroughly. Check spout mounting and TEE connections for leaks.
- Turn handles into OFF position and replace AERATOR.



## 6 SERVICE

- To change direction of handle rotation, proceed as follows:
  - Turn valve to OFF position.
  - Remove HANDLE and BONNET NUT.
  - Remove SPRING CLIP.
  - Lift STOP WASHER, turn 90° and replace.
  - Replace SPRING CLIP.
  - Replace BONNET NUT, HANDLE, SCREW, and INDEX.
- AERATOR may accumulate dirt causing distorted and reduced water flow. Remove AERATOR and rinse clean.
- If spout drips, operate handles several times from OFF to ON position. Do not force - handles turn only 90°.
- Plastic SCREEN in CARTRIDGE may accumulate dirt causing reduced water flow. To clean, first turn off hot and cold water supplies, then:
  - Remove HANDLE and BONNET NUT.
  - Remove CARTRIDGE by pulling up.
  - Thoroughly rinse plastic SCREEN at base of CARTRIDGE.
  - Replace CARTRIDGE until flange is tight against valve body.
  - Turn valves OFF.
  - Replace BONNET NUT, HANDLE, SCREW and INDEX.



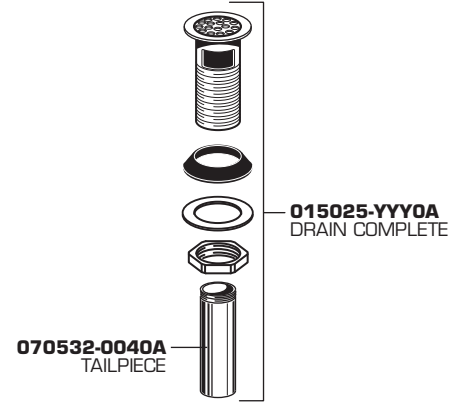
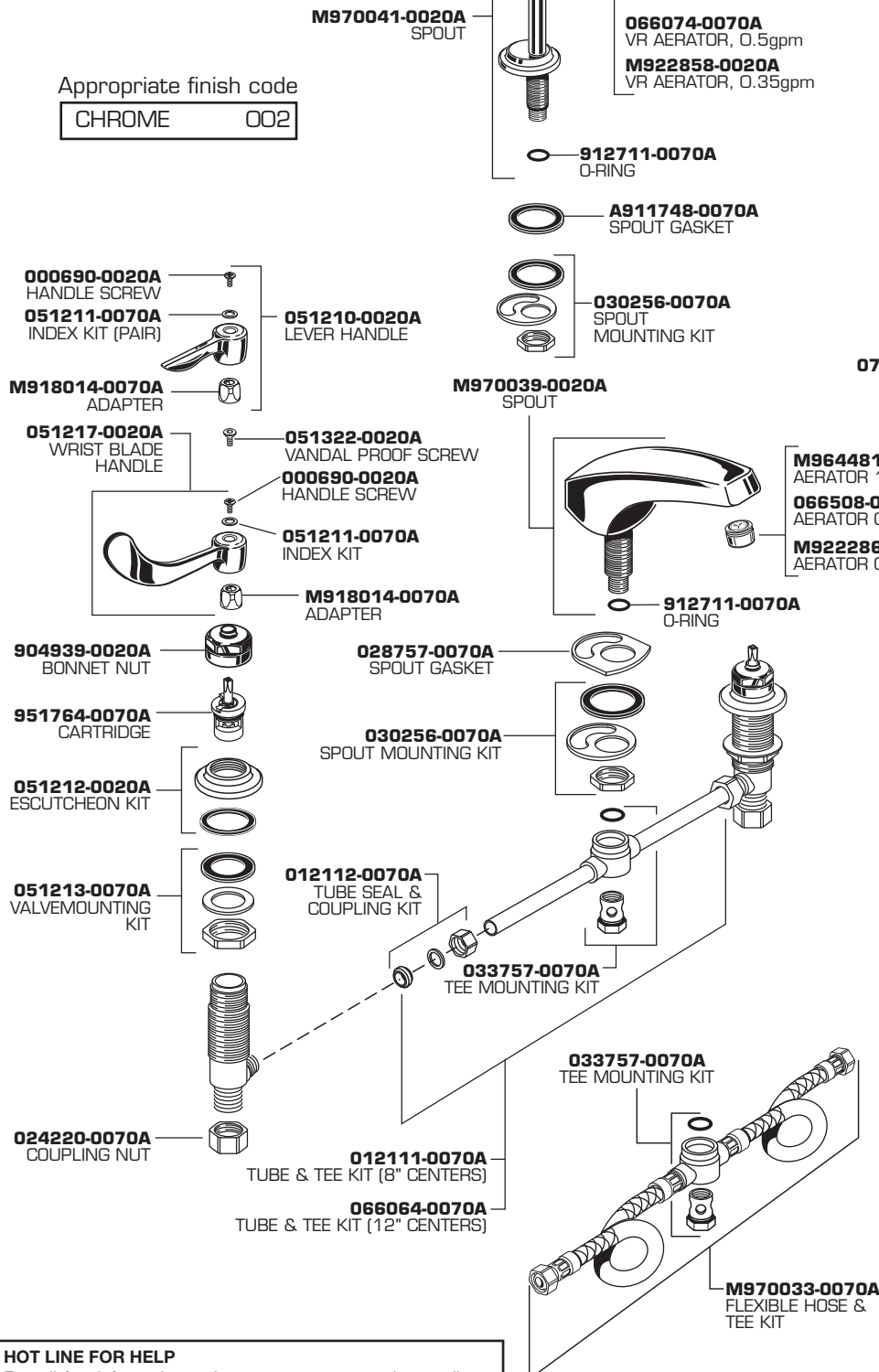
### CARE INSTRUCTIONS:

**DO: SIMPLY RINSE THE PRODUCT CLEAN WITH CLEAR WATER. DRY WITH A SOFT COTTON FLANNEL CLOTH.**

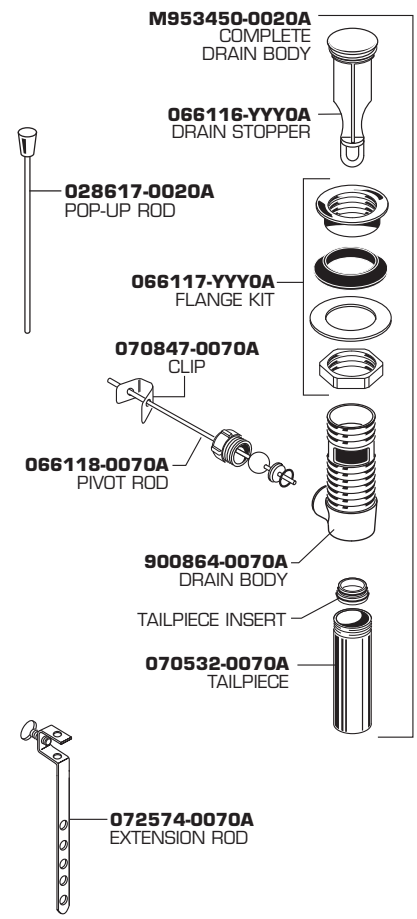
**DO NOT: DO NOT CLEAN THE PRODUCT WITH SOAPS, ACID, POLISH, ABRASIVES, HARSH CLEANERS, OR A CLOTH WITH A COARSE SURFACE.**

MODEL NUMBERS  
**6500 6530**  
**6502 6532**

Appropriate finish code  
**CHROME 002**



FOR PRODUCTS SOLD BEFORE 1/1/16



HOT LINE FOR HELP

For toll-free information and answers to your questions, call:  
1 (800) 442-1902  
Mon. - Fri. 8:00 a.m. to 8:00 p.m. EST  
Saturday 10:00 a.m. to 4:00 p.m. EST  
IN CANADA 1-800-387-0369 (TORONTO 1-905-306-1093)  
Weekdays 8:00 a.m. to 7:00 p.m. EST  
IN MEXICO 01-800-839-1200



Product names listed herein are trademarks of AS America, Inc.  
© AS America, Inc. 2016