

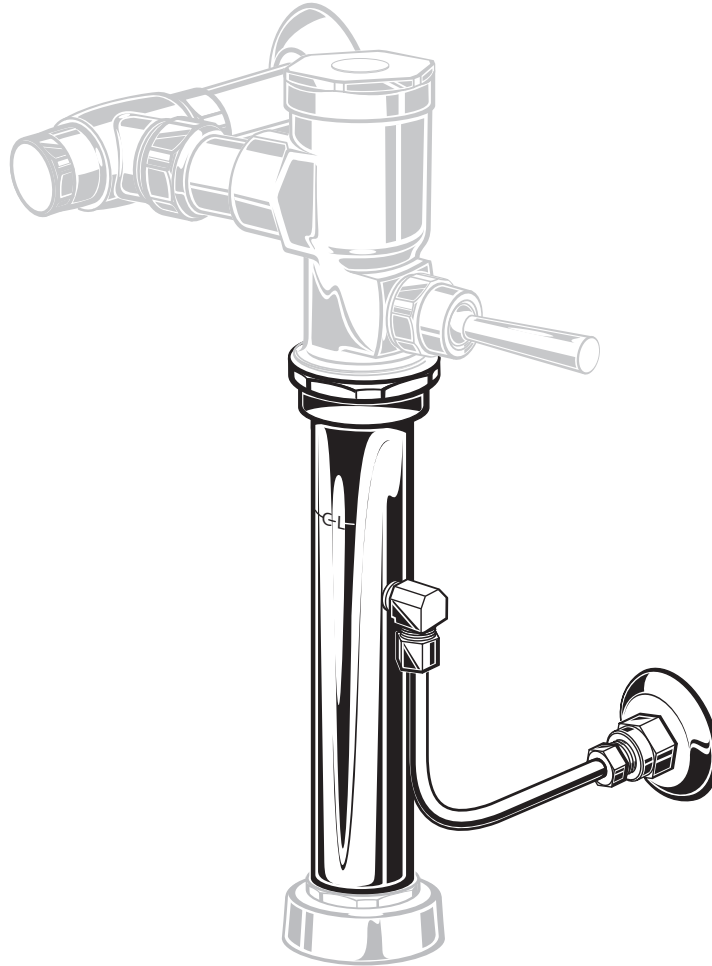
Installation Instructions

VACUUM BREAKER TRAP PRIMER

For Fixtures with a Exposed Flushometer
and a 1-1/2" Top Spud

MODEL NUMBER

6065.830



Certified to comply with ASME A112.19.2M
© 2012 AS America, Inc.

M965439 REV. 1.4

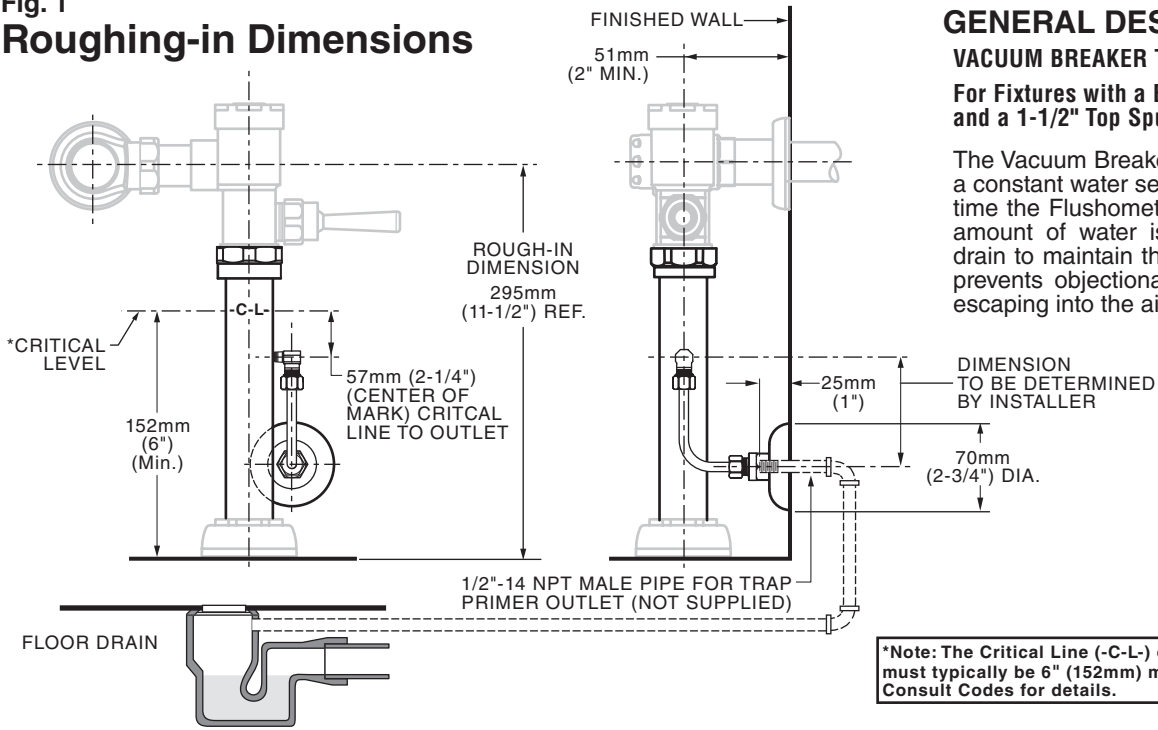
American Standard

NOTE TO INSTALLER: Please give this manual to the customer after installation.

To learn more about American Standard Faucets visit our website at: www.americanstandard-us.com
or U.S. customer's e-mail us at: faucetsupport@americanstandard.com

For Parts, Service, Warranty or other Assistance,
please call **1-800-442-1902 (In Canada: 1-800-387-0369)**
(In Toronto Area only: 1-905-3061093)

Fig. 1
Roughing-in Dimensions



GENERAL DESCRIPTION:

VACUUM BREAKER TRAP PRIMER

For Fixtures with a Exposed Flushometer and a 1-1/2" Top Spud

The Vacuum Breaker Trap Primer provides a constant water seal in a floor drain. Each time the Flushometer is activated, a small amount of water is diverted to the floor drain to maintain the water seal. This seal prevents objectionable sewer gases from escaping into the air.

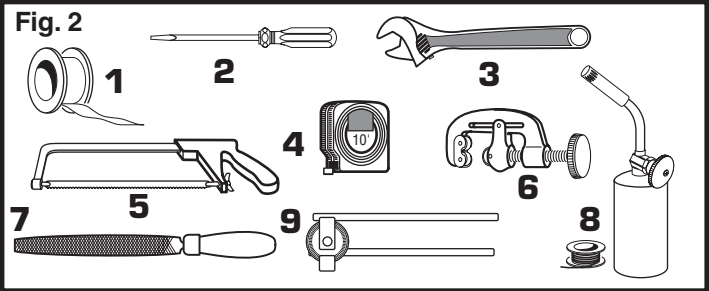
CARE INSTRUCTIONS:

DO: SIMPLY RINSE THE PRODUCT CLEAN WITH CLEAR WATER. DRY WITH A SOFT COTTON FLANNEL CLOTH.

DO NOT: DO NOT CLEAN THE PRODUCT WITH SOAPS, ACID, POLISH, ABRASIVES, HARSH CLEANERS, OR A CLOTH WITH A COARSE SURFACE.

RECOMMENDED TOOLS; Fig. 2

1. Teflon Tape
2. Flat Blade Screwdriver
3. Adjustable Wrench
4. Tape Measure
5. Hacksaw
6. Tubing Cutter
7. File
8. For Sweat Connection; Solder and Torch
9. Tubing Bender



PRIOR TO INSTALLATION

Note: Prior to installing the Flush Valve the following items must be installed.

1. Water Closet
2. Drain line
3. Water supply line
4. Install flushometer following the instructions included with the valve. These instructions are to replace ONLY the instructions for a Vacuum Breaker Flush Connection.
5. Install piping from connection on the floor drain to a desired location on the wall (determined by installer), (piping not supplied).

IMPORTANT:

- All plumbing and electrical wiring (if required) must be installed in accordance with applicable codes, regulations and standards.
- The use of water hammer arrestors is strongly recommended for commercial applications. All piping behind the walls should be properly secured and fastened.

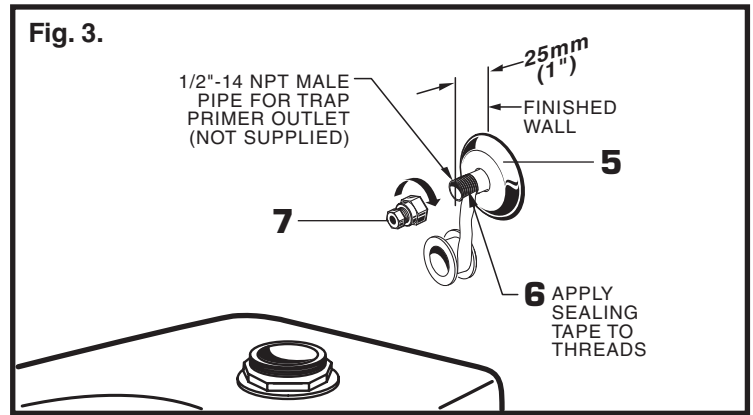
- Water supply lines must be sized to provide an adequate volume of water for each fixture.
- Flush all water lines prior to operation . Dirt and debris can cause flush valve to run continuously.
- **With the exception of Supply Stop Inlet, DO NOT use pipe sealant or plumbing grease on any valve component or coupling!**
- Protect the chrome or special finish on the Flushometer. DO NOT USE toothed tools on finished surfaces to install or service these valves. Also see "Care and Cleaning" section of this manual.
- This product contains mechanical and/or electrical components that are subject to normal wear. These components should be checked on a regular basis and replaced as needed to maintain the valve's performance.

1 INSTALL WALL FLANGE and ADAPTER Fig. 3

1. Apply sealing tape to NPT male threads of the Primer Outlet Nipple. **Note: Outlet Nipple must extend 25mm (1") from finished wall.**

2. Install WALL FLANGE (5) onto Outlet Tube (6) flush against finished wall.

3. Thread ADAPTER (7) onto Outlet Tube (6) and tighten.



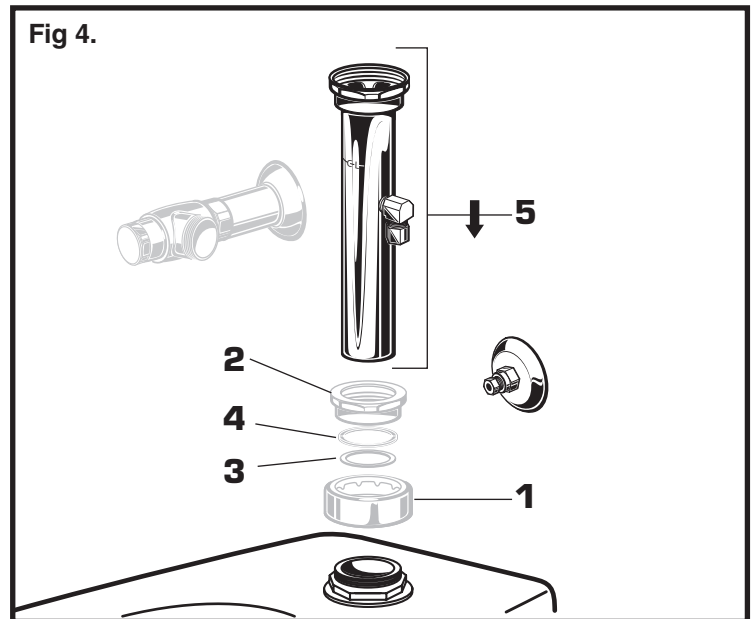
2 INSTALL DOWN TUBE AND VACUUM BREAKER; Fig. 4.

1. Place the SPUD FLANGE (1) (not supplied) over the spud on the Fixture.

2. Thread SPUD COUPLING NUT (2) onto Spud. Make sure SEAL WASHER (3) and FRICTION WASHER (4) are installed. Do not tighten fully. **NOTE: These parts are not supplied.**

3. Insert the DOWN TUBE (5) into the SPUD COUPLING NUT (2) and push it down.

Note: If cutting Down Tube (5) to size, note that Critical Line (CIL) on Vacuum Breaker must typically be 6" (152mm) above fixture. Consult Local Codes for details.



2a REPLACEMENT OF PLASTIC INSERT (IF REQUIRED); Fig. 5

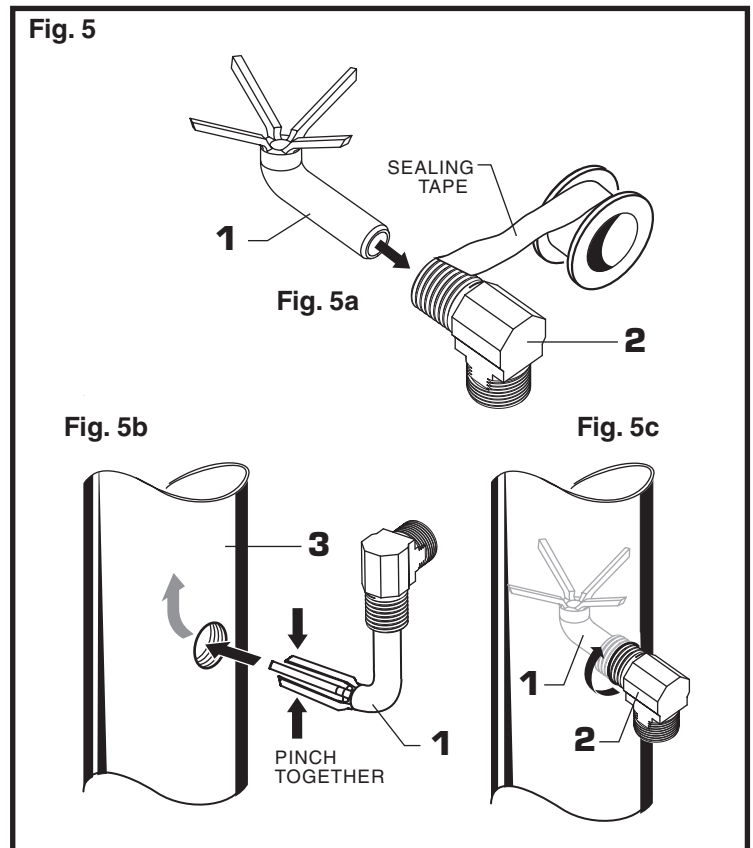
1. Remove the 90° ELBOW FITTING (2) from VACUUM BREAKER TUBE (3). Clean all threaded connections.

2. Apply Teflon Tape or Thread Sealant to NPT male threads of the 90° ELBOW FITTING (2). Install DIVERTER (1) with tapered side first into inner diameter of the tapered NPT male thread of the 90° ELBOW FITTING (3). Fig. 5a.

3. Pinch the ends of the DIVERTER (1) together and insert them with the 90° ELBOW FITTING (2) into the threaded portion of the VACUUM BREAKER TUBE (3). Fig. 5b.

4. Tighten ELBOW FITTING (2). Make sure DIVERTER (1) is positioned with in the VACUUM BREAKER TUBE (3) as shown in Fig. 5c.

NOTE: DO NOT overtighten this connection. The final position of the elbow should allow water flow from the vacuum breaker in a downward direction.



3 INSTALL 3/8" FLEXIBLE TUBING;

Fig. 5.

1. Install FLUSH VALVE per manufactures instructions.
2. Pull the DOWN TUBE (1) up to meet the threaded FLUSH VALVE CONNECTION (2) and hand tighten the VACUUM BREAKER COUPLING NUT (3).
3. Use the 3/8" TUBING (4) to connect the 90° ELBOW FITTING (5) to the ADAPTER (6). Cut and bend the 3/8" TUBING (4) as required. Slide the coupling nuts and ferrules onto the 3/8" TUBING (4) and install the tubing into the 90° ELBOW FITTING (5) and the ADAPTER (6). Hand tighten.
4. Align all connections, make any necessary adjustments if needed.
5. Fully tighten the FLUSH VALVE and SPUD connections first.
6. Fully tighten the two compression connections on the 3/8" TUBING (4).

4 TEST FLUSH VALVE AND VACUUM BREAKER TRAP PRIMER

1. Flush out supply lines and adjust supply stop per manufactures instructions. Test flush valve and vacuum breaker trap primer. Check for leaks.

